

## P 17 Tempra Pro IP 66/67 LV 16 and 32 A



Technical information and dimensions **p. 184-187**  
Conformity to International Standards **p. 198**

Conform to BS EN 60309-1, IEC 60309-1, BS EN 60309-2 and IEC 60309-2  
IP 44 according to BS EN 60529 and IEC 60529  
IK 09 according to BS EN 62262 and IEC 62262  
Material : polyamide 6 or plastic (see below)  
Self-extinguishing : 850 °C (support of active parts) / 650 °C (plastic housing)

Pack	Cat. Nos.		Panel mounting sockets
			Material : polyamide 6 Can be fixed on the faceplates (p. 195)
			<b>100/130 V~</b>
5	16 A 5553 81	32 A 5554 81	2 P + ⊥
5	5553 84	5554 84	<b>200/250 V~</b> 2 P + ⊥
5	5553 88	5554 88	<b>380/415 V~</b> 3 P + ⊥
5	5553 89	5554 89	3 P + N + ⊥

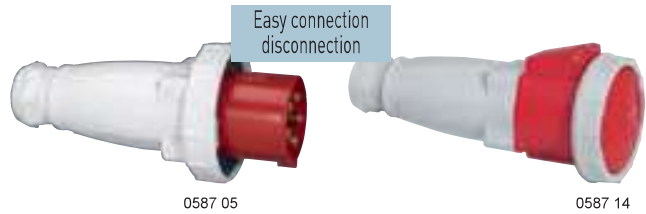
Pack	Cat. Nos.		Surface mounting sockets
			Material : polyamide 6 Two possible angles (5° or 25°)
			<b>100/130 V~</b>
5	16 A 5553 51	32 A 5554 51	2 P + ⊥
5	5553 54	5554 54	<b>200/250 V~</b> 2 P + ⊥
5	5553 58	5554 58	<b>380/415 V~</b> 3 P + ⊥
5	5553 59	5554 59	3 P + N + ⊥

Pack	Cat. Nos.		Mobile sockets
			Material : polyamide 6 Supplied unlocked
			<b>100/130 V~</b>
5	16 A 5553 01	32 A	2 P + ⊥
5	5553 04	5554 14	<b>200/250 V~</b> 2 P + ⊥
5	5553 08	5554 18	<b>380/415 V~</b> 3 P + ⊥
5	5553 09	5554 19	3 P + N + ⊥

Pack	Cat. Nos.		Straight plugs
			Material : polyamide 6 Supplied unlocked
			<b>100/130 V~</b>
5	16 A 5553 21	32 A 5554 31	2 P + ⊥
5	5553 24	5554 34	<b>200/250 V~</b> 2 P + ⊥
5	5553 28	5554 38	<b>380/415 V~</b> 3 P + ⊥
5	5553 29	5554 39	3 P + N + ⊥

Pack	Cat. Nos.		Appliance inlets <sup>1</sup>
			Material : plastic
			<b>200/250 V~</b>
5	16 A 0 568 03	32 A 0 568 23	2 P + ⊥
5	0 568 07	0 568 27	<b>380/415 V~</b> 3 P + ⊥
5	0 568 08	0 568 28	3 P + N + ⊥

## P 17 Tempra IP 66/67 LV 63 and 125 A



Technical information and dimensions **p. 185-187**  
Conformity to International Standards **p. 198**

Conform to BS EN 60309-1, IEC 60309-1, BS EN 60309-2 and IEC 60309-2  
IP 44 according to BS EN 60529 and IEC 60529  
IK 09 according to BS EN 62262 and IEC 62262  
Material : plastic  
Self-extinguishing : 850 °C (support of active parts) / 650 °C (plastic housing)

Pack	Cat. Nos.		Panel mounting sockets <sup>1</sup>
			Can be fixed on the faceplates Cat. Nos 0577 17/19 (p. 195)
			<b>200/250 V~</b>
2	63 A 0587 20	125 A	2 P + ⊥
2	0587 24		<b>380/415 V~</b> 3 P + ⊥
2	0587 25	0591 17	3 P + N + ⊥

Pack	Cat. Nos.		Surface mounting sockets <sup>1</sup>
			<b>200/250 V~</b>
2	63 A 0587 40	125 A	2 P + ⊥
2	0587 44		<b>380/415 V~</b> 3 P + ⊥
2	0587 45	0591 07	3 P + N + ⊥

Pack	Cat. Nos.		Mobile sockets <sup>1</sup>
			<b>200/250 V~</b>
2	63 A 0587 10	125 A	2 P + ⊥
2	0587 14		<b>380/415 V~</b> 3 P + ⊥
2	0587 15	0591 37	3 P + N + ⊥

Pack	Cat. Nos.		Straight plugs <sup>1</sup>
			<b>200/250 V~</b>
2	63 A 0587 00	125 A	2 P + ⊥
2	0587 04		<b>380/415 V~</b> 3 P + ⊥
2	0587 05	0591 27	3 P + N + ⊥

Pack	Cat. Nos.		Appliance inlets <sup>1</sup>
			<b>200/250 V~</b>
2	63 A 0587 30	125 A	2 P + ⊥
2	0587 34		<b>380/415 V~</b> 3 P + ⊥
2	0587 35	0591 47	3 P + N + ⊥

<sup>1</sup> : Appliance inlets and all 63 A and 125 A products are P17 Tempra items which are manufactured from plastic

# P 17 Tempra Pro IP 66/67 - LV 16 and 32 A

sockets, mobile sockets, plugs and appliance inlets

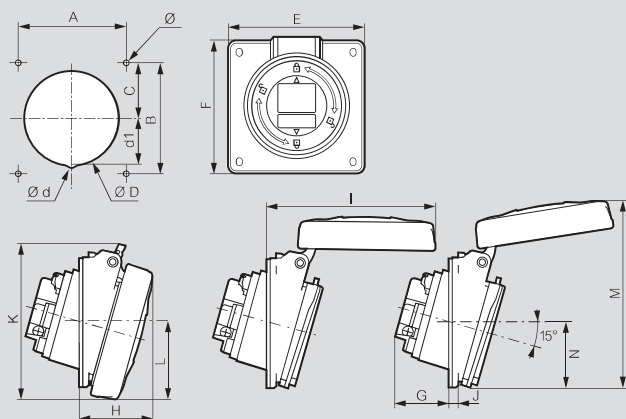
## Technical information

Terminal connection :

- Panel and surface mounting sockets
- 16 A : max. 1 x 4 mm<sup>2</sup> rigid – 32 A : max. 1 x 10 mm<sup>2</sup> rigid
- Plugs and mobile sockets:
- 16 A : max. 1 x 2.5 mm<sup>2</sup> flexible – 32 A : max. 1 x 6 mm<sup>2</sup> flexible
- Appliance inlets :
- 16 A : max. 1 x 2.5 mm<sup>2</sup> rigid – 32 A : max. 1 x 6 mm<sup>2</sup> rigid
- IP 66/67 according to BS EN 60529 and IEC 60529
- IK 09 according to BS EN 62262 and IEC 62262
- Material : polyamide 6 (appliance inlet material : plastic)
- Self-extinguishing : 850 °C (support of active parts) / 650 °C (plastic housing)
- Temp. rating : -25 °C to +40 °C
- Conform to BS EN 60309-1, IEC 60309-1, BS EN 60309-2 and IEC 60309-2

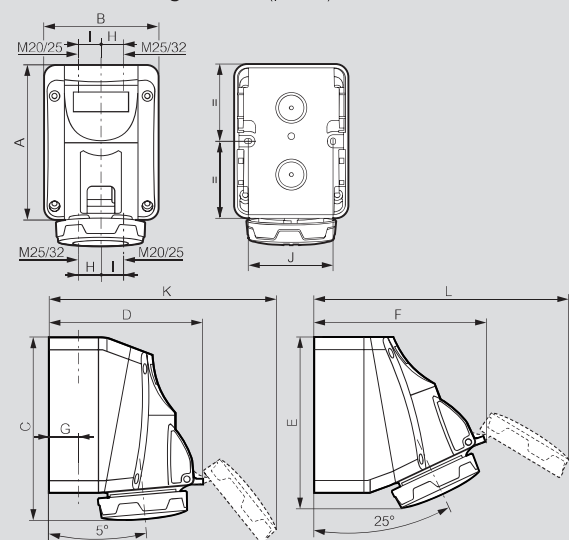
## Dimensions

Panel mounting sockets (p. 183)



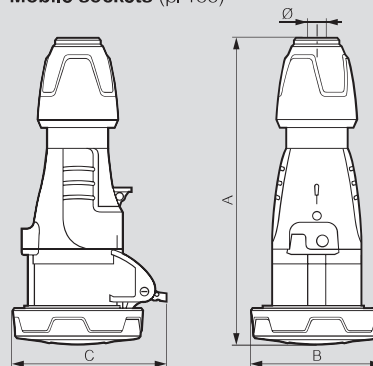
	Dimensions (mm)																
	A	B	C	∅D	∅d	d1	E	F	G	H	I	J	K	L	M	N	∅
<b>LV 16 A</b>																	
2 P+±	70	70	35	76.2	-	-	84	84	33.5	42	94	4.5	88	42.5	114	42	4.2
3 P+±	70	70	35	76.2	-	-	84	84	35.5	43	101	4.5	94.5	46	118	42	4.2
3 P+N+±	70	70	35	76.2	-	-	84	84	36.5	44	108.5	4.5	101	50	123	42.5	4.2
<b>LV 32 A</b>																	
2 P+±/3 P+±	70	70	35	76.2	-	-	84	94	41.5	50.5	118	4.5	105.5	54.5	129.5	47.5	4.2
3 P+N+±	70	70	35	76.2	8	36	84	94	42.5	51.5	124.5	4.5	112	57.5	137	51	4.2

Surface mounting sockets (p. 183)



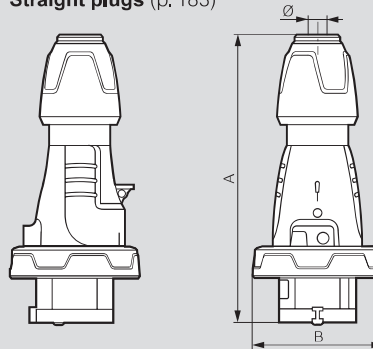
	A	B	C	D	E	F	G	H	I	J	K	L
<b>LV 16 A</b>												
2 P+±	125	93	144	125	131	137	22	17	20	70	178	200
3 P+±	125	93	144	133	131	145	22	17	20	70	194	215
3 P+N+±	125	93	144	139	131	150	22	17	20	70	205	227
<b>LV 32 A</b>												
2 P+±	150	113	171	155	156	170	28	22	26	90	224	250
3 P+±	150	113	171	161	156	175	28	22	26	90	231	260

Mobile sockets (p. 183)



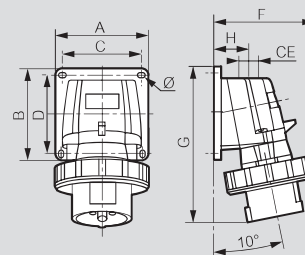
	A	B	C	∅
<b>LV 16 A</b>				
2 P+±	159 to 170	72.5	86	6.5 to 14
3 P+±	159 to 170	80.5	93	7.1 to 15.5
3 P+N+±	179 to 190	89	100	8 to 20
<b>LV 32 A</b>				
2 P+±	187 to 200	93	104	8 to 20
3 P+±	187 to 200	93	104	8 to 20
3 P+N+±	192 to 205	100	110.5	11.9 to 22.2

Straight plugs (p. 183)



	A	B	∅
<b>LV 16 A</b>			
2 P+±	146 to 157	72.5	6.5 to 14
3 P+±	146 to 157	80.5	7.1 to 15.5
3 P+N+±	163 to 176	89	8 to 20
<b>LV 32 A</b>			
2 P+±	172 to 185	93	8 to 20
3 P+±	172 to 185	93	8 to 20
3 P+N+±	179 to 189	100	11.9 to 22.2

Appliance inlets (p. 183)



	Weight (kg)	A/B	C/D	F	G	H	CE	∅
<b>LV 16 A</b>								
2 P+±	0.188	84	72	87	126	34	M 20	4.3
3 P+±	0.257	84	72	95	134	34	M 20	4.3
3 P+N+±	0.297	84	72	100	141	34	M 20	4.3
<b>LV 32 A</b>								
2 P+±	0.370	110	98	107	168	39	M 25	5.3
3 P+±	0.413	110	98	113	168	39	M 25	5.3

# P 17 Tempra IP 66/67 - LV 63 A

sockets, mobile sockets, plugs and appliance inlets

## Technical information

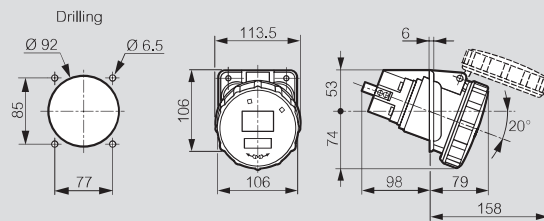
Terminal connection :

- Panel and surface mounting sockets
  - 63 A : max. 1 x 25 mm<sup>2</sup> rigid - 125 A: max. 1 x 70 mm<sup>2</sup> rigid
  - Plugs and mobile sockets:
  - 63 A : max. 1 x 16 mm<sup>2</sup> flexible - 125 A: max. 1 x 50 mm<sup>2</sup> flexible
  - Appliance inlets :
  - 63 A : max. 1 x 16 mm<sup>2</sup> rigid - 125 A: max. 1 x 50 mm<sup>2</sup> rigid
- IP 66/67 according to BS EN 60529 and IEC 60529  
 IK 09 according to BS EN 62262 and IEC 62262  
 Material : plastic  
 Self-extinguishing : 850 °C (support of active parts) / 650 °C (plastic housing)  
 Temp. rating : -25 °C to +40 °C  
 Conform to BS EN 60309-1, IEC 60309-1, BS EN 60309-2 and IEC 60309-2

## Dimensions

**Panel mounting sockets (inclined outlet) (p. 183)**

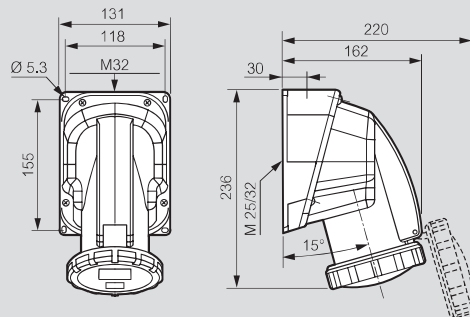
Cat. Nos. 0587 20/24/25



	Weight (kg)
3 P + $\perp$	0-710
3 P + N + $\perp$	0-770

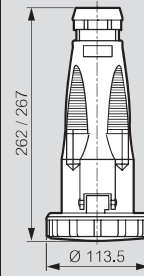
**Surface mounting sockets (p. 183)**

Cat. Nos. 0587 40/44/45



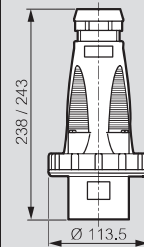
	Weight (kg)
3 P + $\perp$	0-900
3 P + N + $\perp$	0-950

**Mobile sockets (p. 183)**



	Weight (kg)
<b>Mobile sockets</b>	
3 P + $\perp$	0-780
3 P + N + $\perp$	0-850

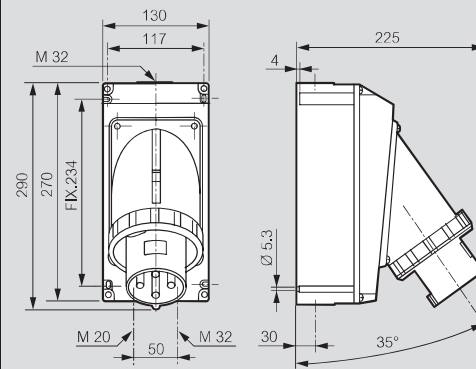
**Straight plugs (p. 183)**



	Weight (kg)
<b>Straight plugs</b>	
3 P + $\perp$	0-570
3 P + N + $\perp$	0-640

**Appliance inlets (p. 183)**

Cat. Nos. 0587 30/34/35



	Weight (kg)
3 P + $\perp$	1-540
3 P + N + $\perp$	1-610

# P 17 Tempra IP 66/67 - LV 125 A

sockets, mobile sockets, plugs and appliance inlets

## Technical information

Terminal connection :

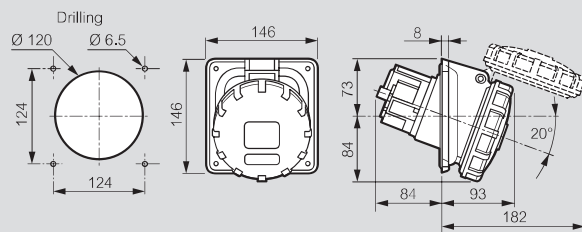
- Panel and surface mounting sockets  
125 A : max. 1 x 25 mm<sup>2</sup> rigid - 125 A: max. 1 x 70 mm<sup>2</sup> rigid
- Plugs and mobile sockets:  
125 A : max. 1 x 16 mm<sup>2</sup> flexible - 125 A: max. 1 x 50 mm<sup>2</sup> flexible
- Appliance inlets :  
125 A : max. 1 x 16 mm<sup>2</sup> rigid - 125 A: max. 1 x 50 mm<sup>2</sup> rigid

IP 66/67 according to BS EN 60529 and IEC 60529  
IK 09 according to BS EN 62262 and IEC 62262  
Material : plastic  
Self-extinguishing : 850 °C (support of active parts) / 650 °C (plastic housing)  
Temp. rating : -25 °C to +40 °C  
Conform to BS EN 60309-1, IEC 60309-1, BS EN 60309-2 and IEC 60309-2

## Dimensions

Panel mounting sockets (p. 183)

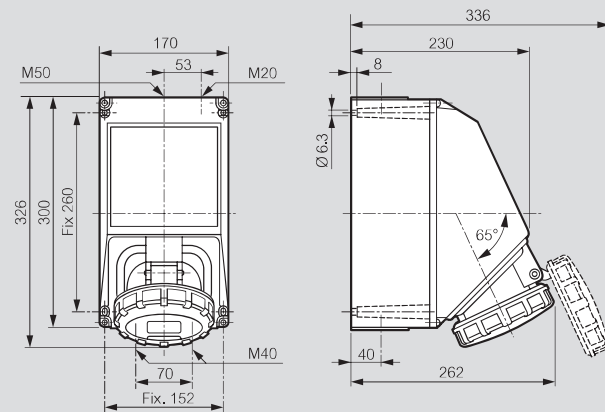
Cat. No. 0591 17



	Weight (kg)
3 P+N+⊥	1-200

Surface mounting sockets (p. 183)

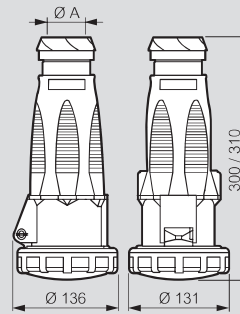
Cat. No. 0591 07



	Weight (kg)
3 P+N+⊥	2-730

Mobile sockets (p. 183)

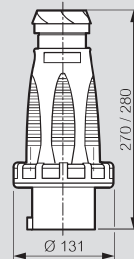
Cat. No. 0591 37



	A
3 P+N+⊥	28-5 to 50

Straight plugs (p. 183)

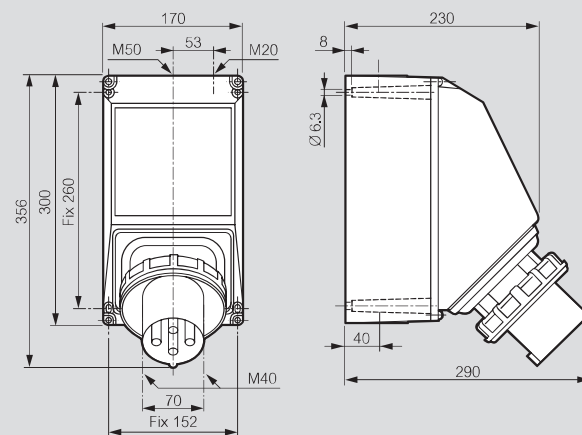
Cat. No. 0591 27



	Ø
3 P+N+⊥	28-5 to 50

Appliance inlets (p. 183)

Cat. No. 0591 47



Adaptor from IEC to BS (p. 182)

Cat. No. 0521 01

16 A 2 P+⊥ 230 V plug to 13 A 3 pin BS socket

