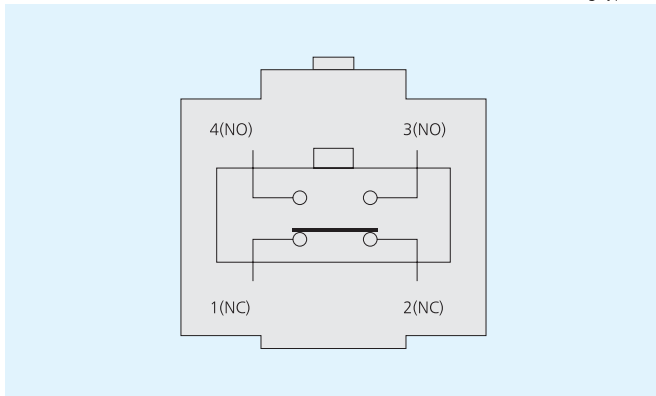




YBLX-K1 Travel Switch

Contacting types



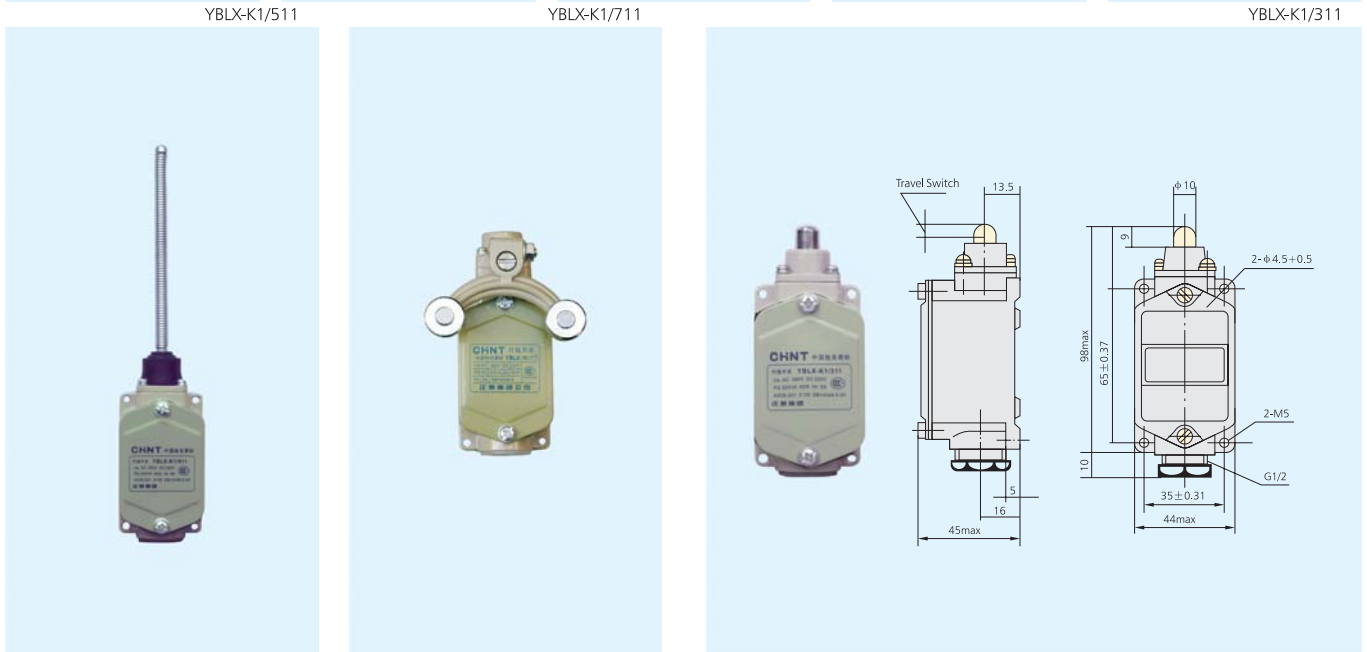
- YBLX-K1/□11□
- Derivative code: M: enclosed type
 - 1 NC contact
 - 1 NO contact
 - 1: single roller
 - 2: double rollers
 - 3: plunger type
 - 4: plunger type with roller
 - 5: free-directions type
 - 6: Rear mounting of single roller
 - 7: Rear mounting of double roller
 - Design sequence number
 - Fast operation
 - Travel switch
 - New product code

Model	Mode	Substitution model (production stopped)	
YBLX-K1/111	Automatic reset of single roller		
YBLX-K1/211	Non-automatic reset of double rollers		
YBLX-K1/311	Automatic reset of plunger	YBLX-25/311S	YBLX-25/311
YBLX-K1/411	Automatic reset of plunger roller	YBLX-25/411S	YBLX-25/411
YBLX-K1/511	Automatic reset of free-directions type	YBLX-25/511S	YBLX-25/511
YBLX-K1/611	Self-reset of rear mounted single roller	YBLX-25/611S	YBLX-25/611
YBLX-K1/711	Non-self-reset of rear mounted single roller	YBLX-25/711S	YBLX-25/711

Protection degree	IP52
Conventional heating current	5A
Rated voltage	AC 380V DC220V
Rated current ⁴	AC 5A DC0.15A
Operating frequency (operations/minute)	20
Lasting ratio of electrification	40%
Mechanical life (operations)	60x10 ⁴
Electric life (operations)	30x10 ⁴
Environmental temperature	-30℃ ~ +40℃

Protection degree	IP52
Relative humidity	≤85%(20℃)
Altitude level	≤2000m
Voltage withstands	Between terminals of same polarity (1140V)
	Between electrified components and earth (2500V)
	Between terminals and un-electrified metal components (2500V)
Application range	Automatic control of machine tool, restriction of operating structure operation or control of procedure
Standards	IEC60947-5-1

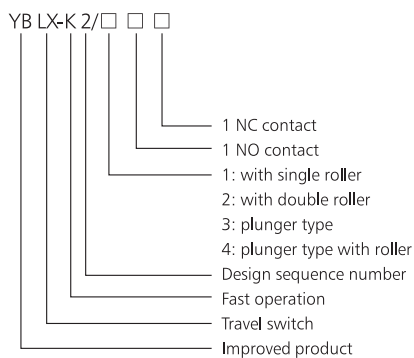
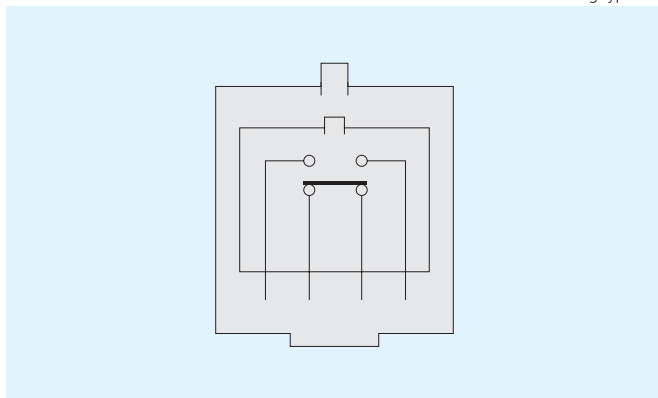
Operating performances	Model	YBLX-K1-111	YBLX-K1-211	YBLX-K1-311	YBLX-K1-411
	OF(max)		10N	25N	20N
PT(max)		≤45°	≤70°	≤5mm	≤5mm
OT(min)		≥15°	-	≥1mm	≥1mm





YBLX-K2 Travel Switch

Contacting types



Conventional heating current (A)	5A
Rated voltage (V)	AC 380V DC 220V
Rated current	AC 0.8A DC 0.16A
Operating frequency (operations/minute)	160
Mechanical life (operations)	60×10^4
Environmental temperature	-25°C ~ +40°C
Relative humidity	≤90%
Altitude	≤2000m
Voltage withstand	Between electrified components and the earth Between electrified components of the same polarity
Application range	Travel control and limitation protection in control circuits
Standard	IEC60947-5-1

Operating performances	Model	YBLX-K2/001	YBLX-K2/101	YBLX-K2/111、131
OF(max)		6N	7N	7N
RF(min)		≥1.5N	≥1.5N	≥2N
PT(max)		2±0.7mm	5±0.7mm	15° ±7°
MD(max)		≤1.5mm	≤1.5mm	≤1.5mm
OT(min)		≥2mm	≥2mm	≥15°

Model (recommended)	Operating mode	Substitution type (production stopped)	
YBLX-K2/111	Self-reset of single roller	YBLX-K2/121	YBLX-K2/131
YBLX-K2/211	Non-self-reset of single roller		
YBLX-K2/311	Self-reset of plunger type	YBLX-K2/001	
YBLX-K2/411	Non-self-reset of plunger roller type	YBLX-K2/101	

YBLX-K2/111



YBLX-K2/211



YBLX-K2/411K



YBLX-K2/101、YBLX-K2/411



YBLX-K2/001、YBLX-K2/311

