

REV.	DATE	DESCRIPTION	APP'D BY	BY
1	2016.09.28	SIC bearing addition.	Sakamoto	Okita
				Yamanaka

## 7.2.2) SELF PRIMING PUMP Outline Drawing

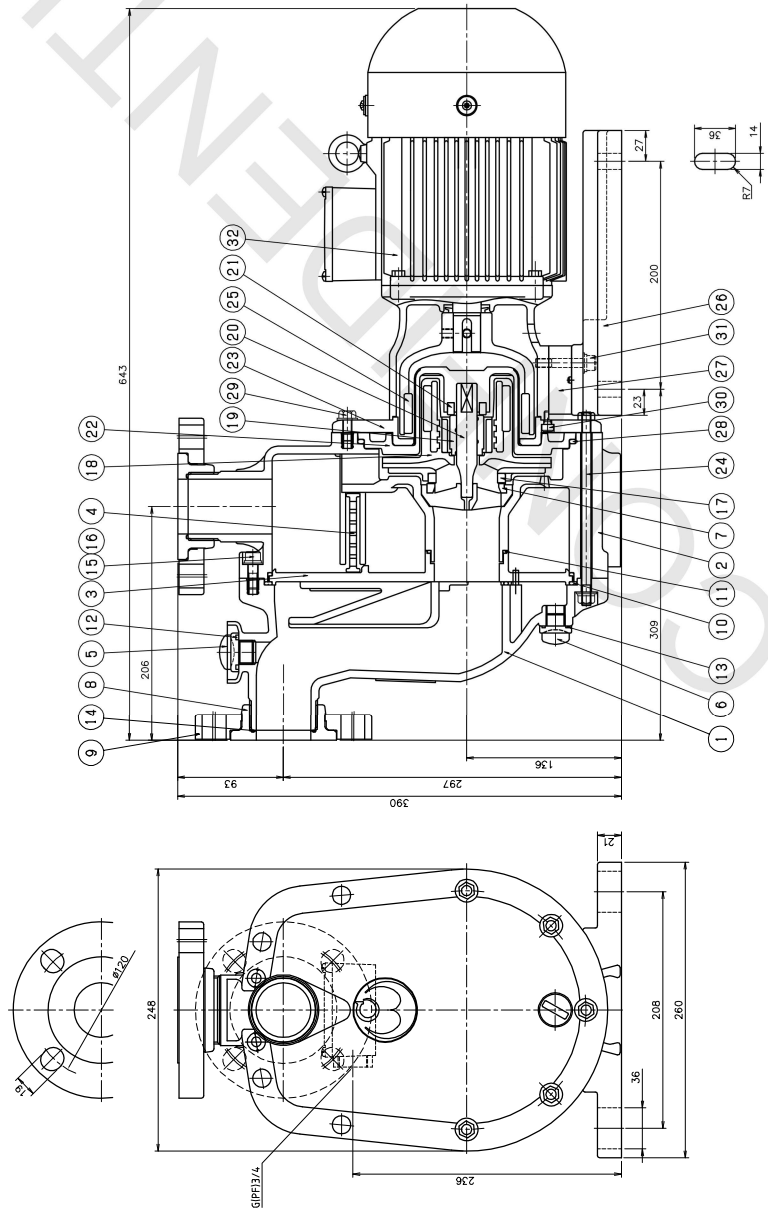
Pump KKS Code :  
 00-GMC-01-AP-001 : Chemical Drain Pump for CH-01  
 00-GMC-01-AP-001 : Chemical Drain Pump for CH-01

32	1.5/2kW IE3 Motor with bracket	1	FC200 + Aluminium alloy	2P 3φ	Outdoor
31	Hex. head socket cap screw (M8x45)	4	SUS304		with Flat / S washer
30	Hex. head socket cap screw (M6x12)	6	SUS304		
29	Hex. bolt (M8 x 25)	3	SUS304		with Flat / S washer
28	O-ring (P180)	1	(EPDM / FPM)		
27	Base biscuit	1	FC200		
26	Base	1	GFR PP		
25	Outer magnet	1	FC450-10+	Magnet	
24	Stud bolt (M8)	5	SUS304		with N / Flat / S washer
23	Rear casing support	1	FC200		
22	Rear casing	1	GFR PP		
21	Rear thrust ring	1	Alumina ceramics		
20	Shaft	1	Alumina ceramics		
19	Bearing	1	Carbon/Alumina ceramics	GFR PPS/SIC+CFR/ETFE	
18	Impeller	1	PP+GFR PP+ Magnet		
17	Mouth ring	1	GFR PTFE		
16	Hex. head socket cap screw (M8x25)	10	SUS304		with Flat / S washer
15	Hex. head socket cap screw (M8x35)	4	SUS304		with N / Flat / S washer
14	O-ring (AZ568-136)	2	(EPDM / FPM)		
13	O-ring (P20)	1	(EPDM / FPM)		
12	O-ring (P24)	1	(EPDM / FPM)		
11	O-ring (G65)	1	(EPDM / FPM)		
10	Packing	2	GFR PP		
9	Flange (50A)	2	GFR PP		
8	Lap joint (50A)	2	GFR PP		
7	Liner ring	1	Alumina ceramics + GFR PPS		
6	Drain plug	1	GFR PP		
5	Priming water plug	1	GFR PP		
4	Grating board	1	GFR PP		
3	Separating board	1	GFR PP		
2	Discharge casing	1	GFR PP		
1	Suction casing	1	GFR PP		

No.	PARTS NAME	QTY	MATERIAL	NOTE
Cross-sectional drawing Self-priming magnet drive pump "SUPER MAG"				
MODEL YD-5002/5003GV3-GP-				

APPROVED BY	CHECKED BY	DRAWN BY	DRAWN DATE
Mori	Kimura	Okita	2015.02.25

Dwg. No. GV-3788-1  
 SCALE FREE



Bore	Suc. 50A / Dis. 50A	
THD	m	
Capacity	L/min	
Motor	1.5/2.2 kW IE3 original motor	
	V 50 · 60 Hz 2P 3φ	
Liquid	Name	
	Conc.	% S.G.
Weight	Temp.	°C
	YD-5002GV3-GP-	2.9 · 5 Kg
YD-5003GV3-GP-	3.2 · 0 Kg	

Uncontrolled when printed or downloaded. Verify that this is the correct version before use.  
 Reproduction of part or all the contents of the document is prohibited without written permission from WAFI (P) Co., Ltd. © 2015

株式会社 ワールドケミカル  
 WAFI (P) Co., Ltd.