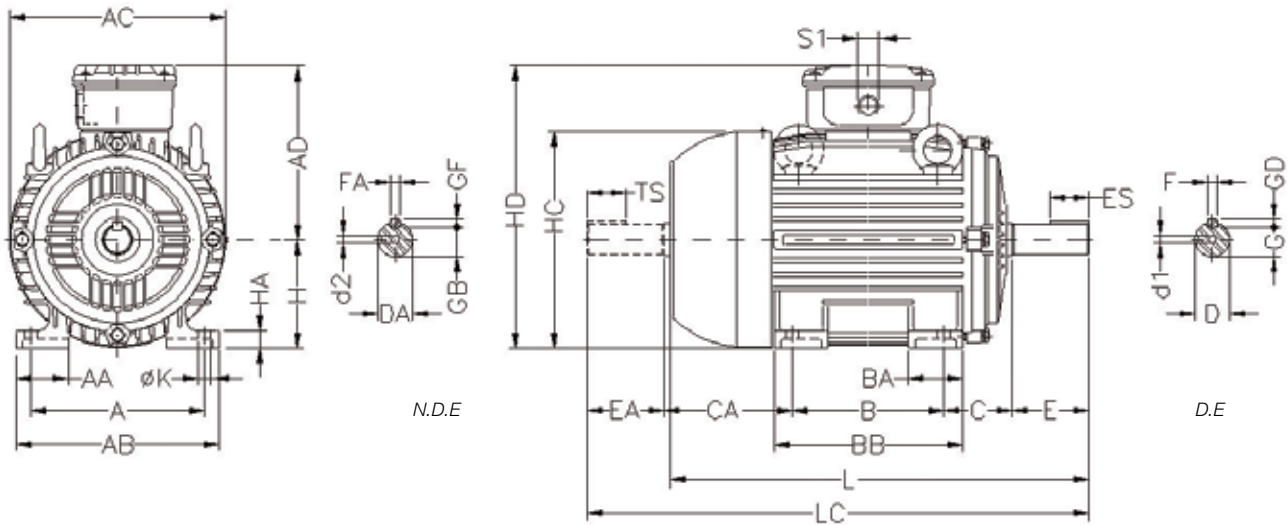


14. Mechanical data



| FRAME | A | AA | AB | AC | AD | B | BA | BB | C | CA | SHAFT DIMENSIONS | | | | | | | | | | H | HA | HC | HD | K | L | LC | S1 | d1 | d2 | BEARINGS | | | |
|--------|-----|-----|-----|-----|-----|-----|------|-------|-----|------|------------------|------|-----|----|------|------|-------|------|-----|------|------|------|------|------|-----|------|------|-----------|-----------|-----------|----------|---------|-----------|-----------|
| | | | | | | | | | | | D | E | ES | F | G | GD | DA | EA | TS | FA | | | | | | | | | | | GB | GF | D.E. | N.D.E. |
| 63 | 100 | 21 | 116 | 125 | 119 | 80 | 22 | 95 | 40 | 78 | 11j6 | 23 | 14 | 4 | 8.5 | 4 | 9j6 | 20 | 12 | 3 | 7.2 | 3 | 63 | 8 | 124 | 182 | 7 | 216 | 241 | 2xM20x1.5 | EM4 | EM3 | 6201-ZZ | |
| 71 | 112 | 30 | 132 | 141 | 127 | 90 | 38 | 113.5 | 45 | 88 | 14j6 | 30 | 18 | 5 | 11 | 5 | 11j6 | 23 | 14 | 4 | 8.5 | 4 | 71 | 12 | 139 | 198 | | 248 | 276 | | DM5 | EM4 | 6203-ZZ | 6202-ZZ |
| 80 | 125 | 35 | 149 | 159 | 136 | 100 | 40 | 125.5 | 50 | 93 | 19j6 | 40 | 28 | 6 | 15.5 | 6 | 14j6 | 30 | 18 | 5 | 11 | 5 | 80 | 13 | 157 | 216 | 276 | 313 | 2xM25x1.5 | DM6 | DM4 | 6204-ZZ | 6203-ZZ | |
| 90S | 140 | 38 | 164 | 179 | 155 | | 42 | 131 | 56 | 104 | 24j6 | 50 | 36 | 8 | 20 | 7 | 16j6 | 40 | 28 | | 6 | | 18.5 | 6 | 100 | 16 | 198 | 265 | | 304 | 350 | DM8 | DM6 | 6205-ZZ |
| 90L | 140 | 38 | 164 | 179 | 155 | 42 | 156 | 56 | 104 | 24j6 | 50 | 36 | 8 | | 20 | | 7 | 16j6 | 40 | 28 | 6 | 18.5 | 6 | 90 | 15 | 177 | 245 | 329 | 375 | DM10 | DM8 | | | |
| 100L | 160 | 49 | 188 | 199 | 165 | 140 | 50 | 173 | 63 | 118 | 28j6 | 60 | 45 | 8 | 24 | 8 | 22j6 | 50 | 36 | 6 | 20 | 112 | 18.5 | 235 | 296 | 376 | 431 | 2xM32x1.5 | DM10 | DM8 | 6206-ZZ | 6205-ZZ | | |
| 112M | 190 | 48 | 220 | 222 | 184 | | 50 | 177 | 70 | 128 | | 28j6 | 60 | | 45 | | 8 | 24 | 8 | 22j6 | 50 | 36 | 6 | 20 | 112 | 18.5 | 235 | | | | 296 | 393 | 448 | DM12 |
| 132S | 216 | 51 | 248 | 270 | 212 | 178 | 55 | 187 | 89 | 150 | 38k6 | 80 | 63 | 10 | 33 | 8 | 28j6 | 60 | 45 | 8 | 24 | 7 | 132 | 20 | 274 | 344 | 452 | 519 | 2xM40x1.5 | DM16 | DM12 | DM10 | 6308-ZZ | 6207-ZZ |
| 132M | 216 | 51 | 248 | 270 | 212 | | 55 | 225 | 89 | 150 | 38k6 | 80 | 63 | 10 | 33 | | 8 | 28j6 | 60 | 45 | 8 | 24 | 7 | 132 | 20 | 274 | 344 | 490 | | | | | 557 | DM16 |
| 160M | 254 | 64 | 308 | 312 | 255 | 210 | 65 | 254 | 108 | 174 | 42k6 | 110 | 80 | 12 | 37 | 9 | 42k6 | 110 | 80 | 12 | 37 | 8 | 160 | 22 | 317 | 415 | 598 | 712 | 2xM50x1.5 | DM16 | DM12 | DM10 | 6311-C3 | 6211-Z-C3 |
| 160L | 254 | 64 | 308 | 312 | 255 | 210 | 298 | 108 | 174 | 42k6 | 110 | | | 80 | 12 | | 37 | | | 9 | 42k6 | 110 | 80 | 12 | 37 | 8 | 160 | 22 | | | | | 317 | 415 |
| 180M | 279 | 80 | 350 | 358 | 275 | 241 | 75 | 294 | 121 | 200 | 48k6 | 110 | 80 | 14 | 42.5 | 9 | 48k6 | 110 | 80 | 14 | 42.5 | 9 | 180 | 28 | 360 | 455 | 664 | 782 | 2xM50x1.5 | DM16 | DM12 | DM10 | 6313-C3 | 6213-Z-C3 |
| 180L | 279 | 80 | 350 | 358 | 275 | 241 | 332 | 121 | 200 | 48k6 | 110 | | | 80 | 14 | 42.5 | 9 | | | 48k6 | 110 | 80 | 14 | 42.5 | 9 | 180 | 28 | 360 | | | | | 455 | 702 |
| 200M | 318 | 82 | 385 | 396 | 300 | 267 | 85 | 332 | 133 | 222 | 55m6 | 110 | 80 | 16 | 49 | 10 | 55m6 | 110 | 80 | 16 | 49 | 10 | 200 | 30 | 402 | 500 | 729 | 842 | 2xM50x1.5 | DM16 | DM12 | DM10 | 6315-C3 | 6215-Z-C3 |
| 200L | 318 | 82 | 385 | 396 | 300 | 267 | 370 | 133 | 222 | 55m6 | 110 | | | 80 | 16 | 49 | 10 | | | 55m6 | 110 | 80 | 16 | 49 | 10 | 200 | 30 | 402 | | | | | 500 | 767 |
| 225S/M | 356 | 80 | 436 | 476 | 373 | 286 | 105 | 391 | 149 | 280 | 55m6* | 140 | 125 | 18 | 53 | 11 | 55m6* | 140 | 125 | 18 | 53 | 11 | 225 | 34 | 466 | 598 | 817 | 935 | 2xM63x1.5 | M20 | M12 | M10 | 6314-C3 | 6314-C3 |
| 250S/M | 406 | 506 | 311 | | 349 | 255 | 60m6 | 140 | 125 | 18 | 53 | | | | | | 11 | | | | | | 140 | 125 | 18 | 53 | 11 | 60m6* | | | | | | |
| 280S/M | 457 | 557 | 468 | 419 | 142 | 312 | 140 | 125 | 18 | 53 | 11 | 140 | 125 | 18 | 53 | 11 | 60m6* | 140 | 125 | 18 | 53 | 11 | 280 | 578 | 748 | 1036 | 1188 | 2xM63x1.5 | M20 | M12 | M10 | 6316-C3 | 6216-Z-C3 | |
| 315S/M | 508 | 628 | 497 | 457 | 152 | 350 | 140 | 125 | 18 | 53 | 11 | | | | | | 140 | | | | | | 125 | 18 | 53 | 11 | 65m6 | | | | | 140 | 125 | 18 |
| 315B | 182 | 630 | 698 | 545 | 630 | 376 | 162 | 558 | 216 | 325 | 80m6 | 170 | 160 | 22 | 71 | 14 | 65m6 | 170 | 160 | 22 | 71 | 14 | 315 | 47.5 | 664 | 860 | 1156 | 1308 | 2xM63x1.5 | M20 | M12 | M10 | 6318-C3 | 6218-Z-C3 |
| 355ML | 610 | 140 | 750 | 816 | 685 | 406 | 200 | 760 | 254 | 325 | 80m6 | 170 | 160 | 22 | 71 | 14 | 65m6 | 170 | 160 | 22 | 71 | 14 | 355 | 50 | 725 | 1040 | 1432 | 1502 | | | | | DM16 | DM12 |
| | | | | | | 560 | | | | 467 | 75m6* | 140 | 125 | 20 | 67.5 | 12 | 60m6* | 140 | 125 | 18 | 53 | 11 | 355 | 50 | 725 | 1040 | 1396 | 1561 | 2xM63x1.5 | M20 | M12 | M10 | 6320-C3 | 6220-Z-C3 |
| | | | | | | 630 | | | | 397 | 100m6 | 210 | 200 | 28 | 90 | 16 | 80m6 | 170 | 160 | 22 | 71 | 14 | 355 | 50 | 725 | 1040 | 1466 | 1661 | | | | | DM16 | DM12 |

All dimensions are 'mm'