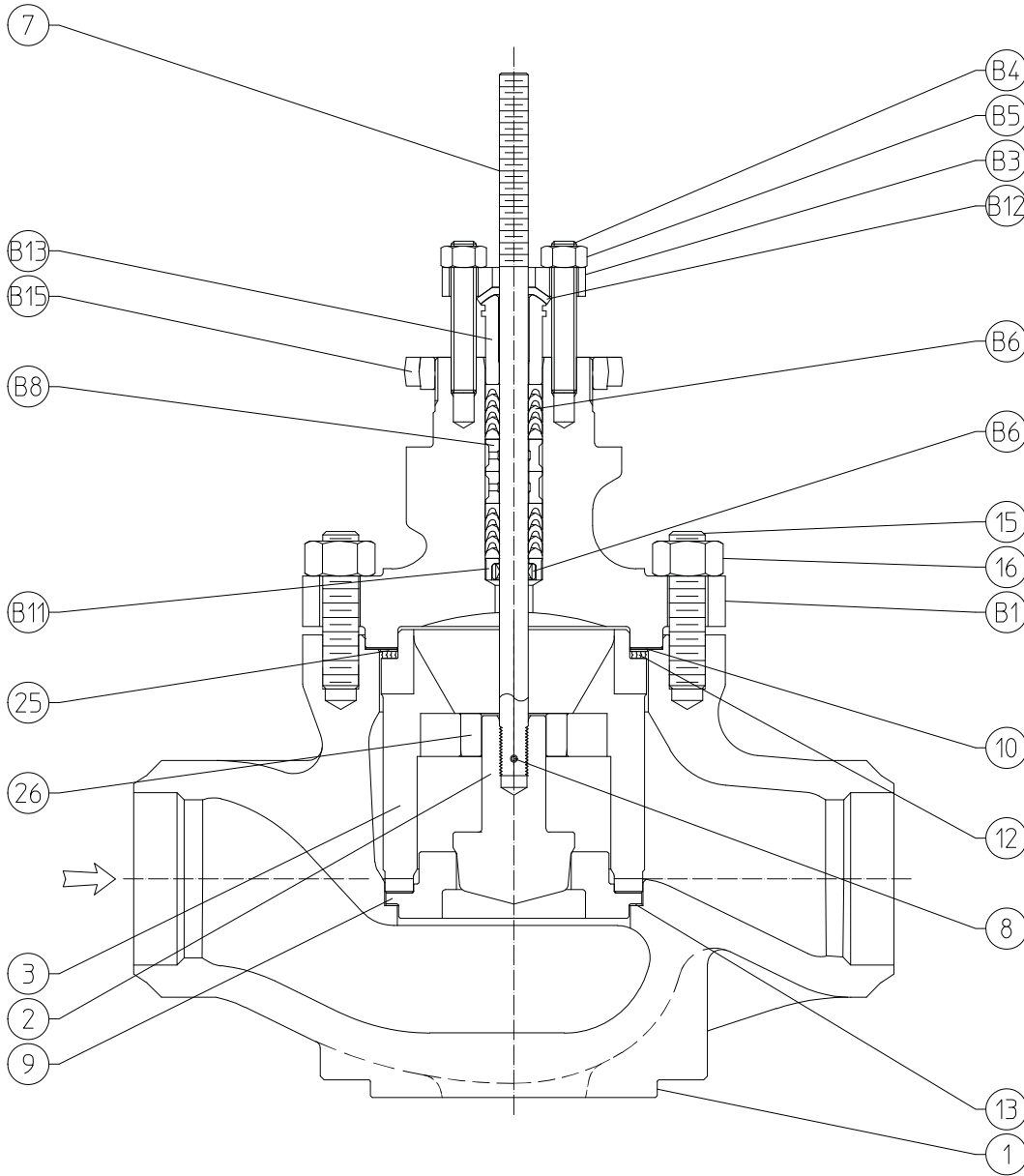


FEATURES PICTORIALY TYPICAL ORIENTATION MAY DIFFER



KEY	PART NAME	QTY	MATERIAL	COMMENT
1	BODY	1	ASTM A216M GR WCC	
2	PLUG	1	416 SST	
3	SEAT RING RETAINER	1	ASTM A747M CB7Cu-1	
7	STEM	1	ASTM A276 S31600 Cond.B	
8	GROOVE PIN	1	ASTM A479M S31600	
9	SEAT RING	1	416 SST	
10	BONNET GASKET	1	GRAPHITE/S31600	
12	SPIRAL GASKET	1	N06600/GRAPHITE	
13	SEAT RING GASKET	1	GRAPHITE/S31600	
15	BONNET STUD	8	ASME SA193 B7/NCF2	
16	BONNET NUT	8	ASME SA194 2H/NCF2	
25	SHIM	1	ASTM A240 S31600	
26	RETAINER BUSHING	1	ASTM A564M S17400	
B1	BONNET	1	ASTM A216M WCC	
B3	PACKING FLANGE	1	316 SST	
B4	PACKING STUD	2	ASTM A193M B8M CL2	
B5	PACKING NUT	2	S31600	
B6	PACKING SET	2	PTFE	
B8	LANTERN RING	2	JIS G4303-SUS316	
B11	PACKING BOX RING	1	ASTM B783 SS-316	
B12	WIPER	1	FELT	
B13	PACKING FOLLOWER	1	JIS G4303-SUS316	
B15	YOKE LOCKNUT	1	ASME SA105 / NCF	

<b>FISHER</b> DATE 8/3/18	
CUST: Mitsubishi Hitachi Power Systems, Ltd./Kure CUST REF NO.: (XTJB)5:13127328 FISHER REF NO.: 171873-01 TAG NO.: 50HHF32AAZ01	
EZ VALVE BODY ASSEMBLY NPS 3 CL300 BWE STD BONNET EQ% 1/2 in Stem PTFE Double Assy-1 PACKING FLOW DIRECTION : UP	
SERIAL NO.: J229043 CUST ITEM: 17	
DWN. ADS 6/20/18 CHKD. DHI 6/20/18 APVD. TAK 6/20/18 SCALE: NONE	ITEM 017 DWG. NO. 171873-01-017 REV. 01
Nippon Fisher Co., Ltd. 2018	