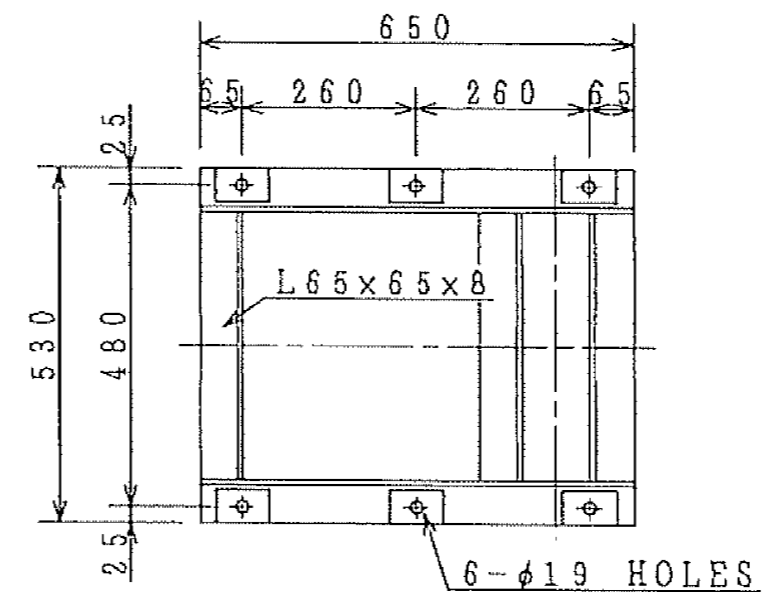
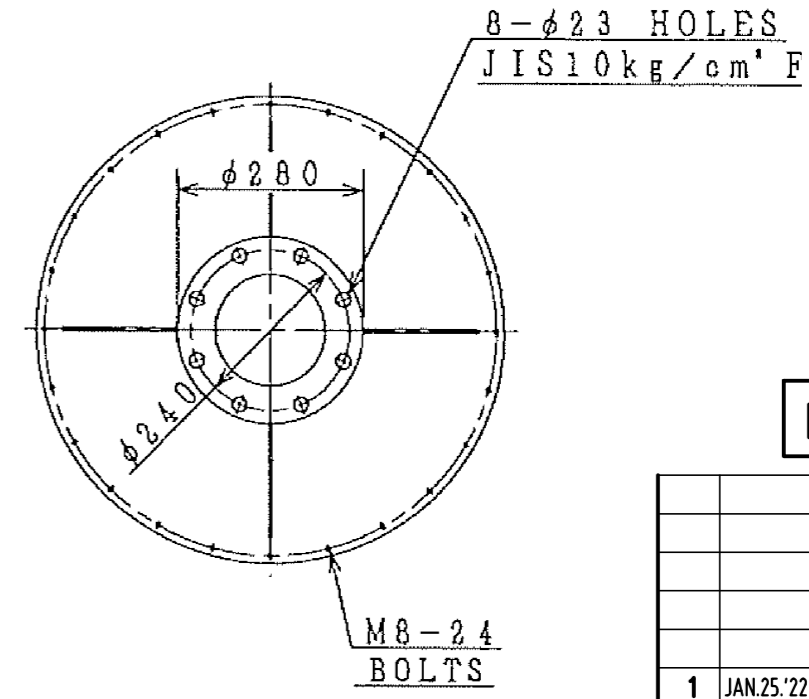
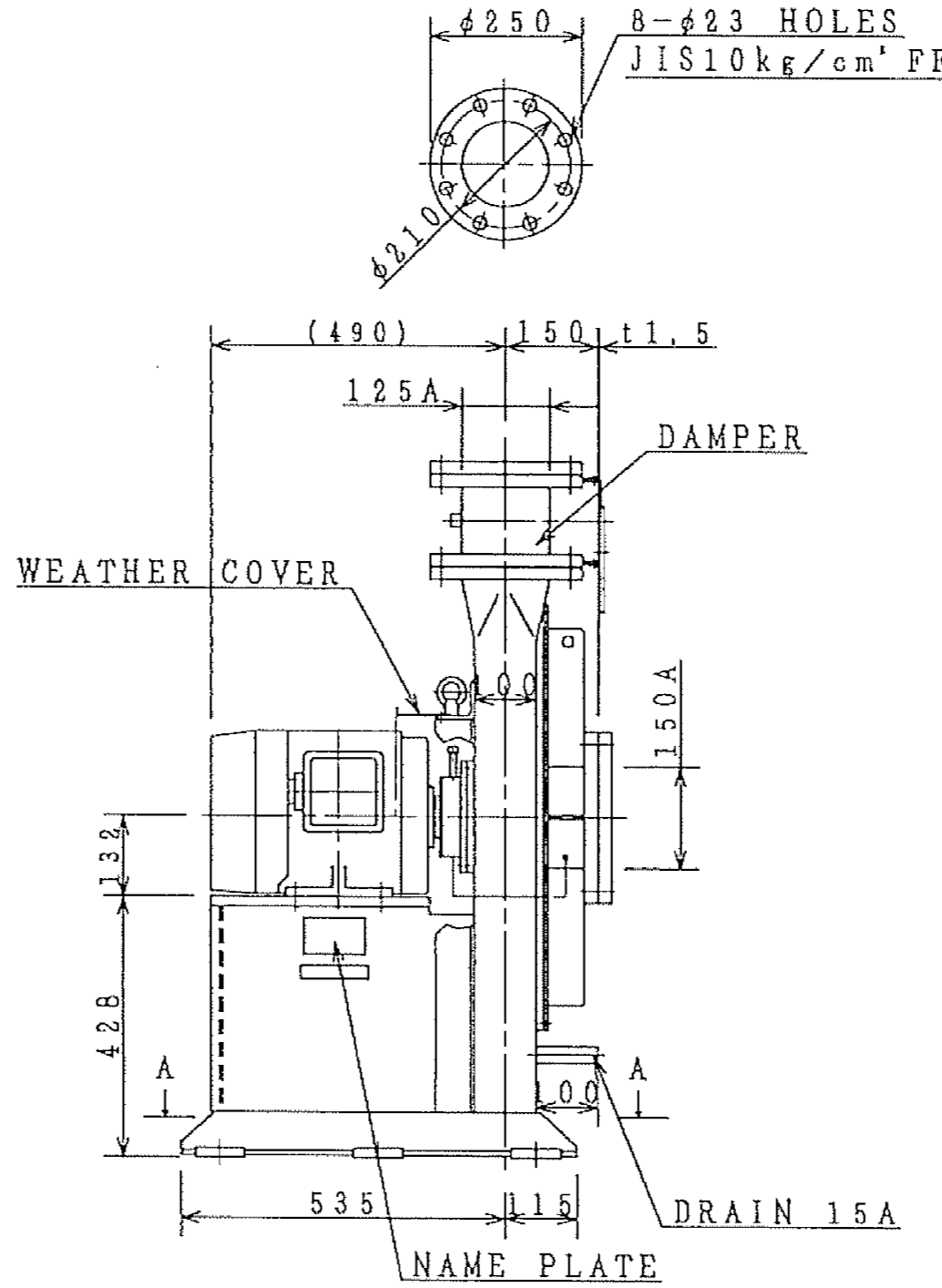
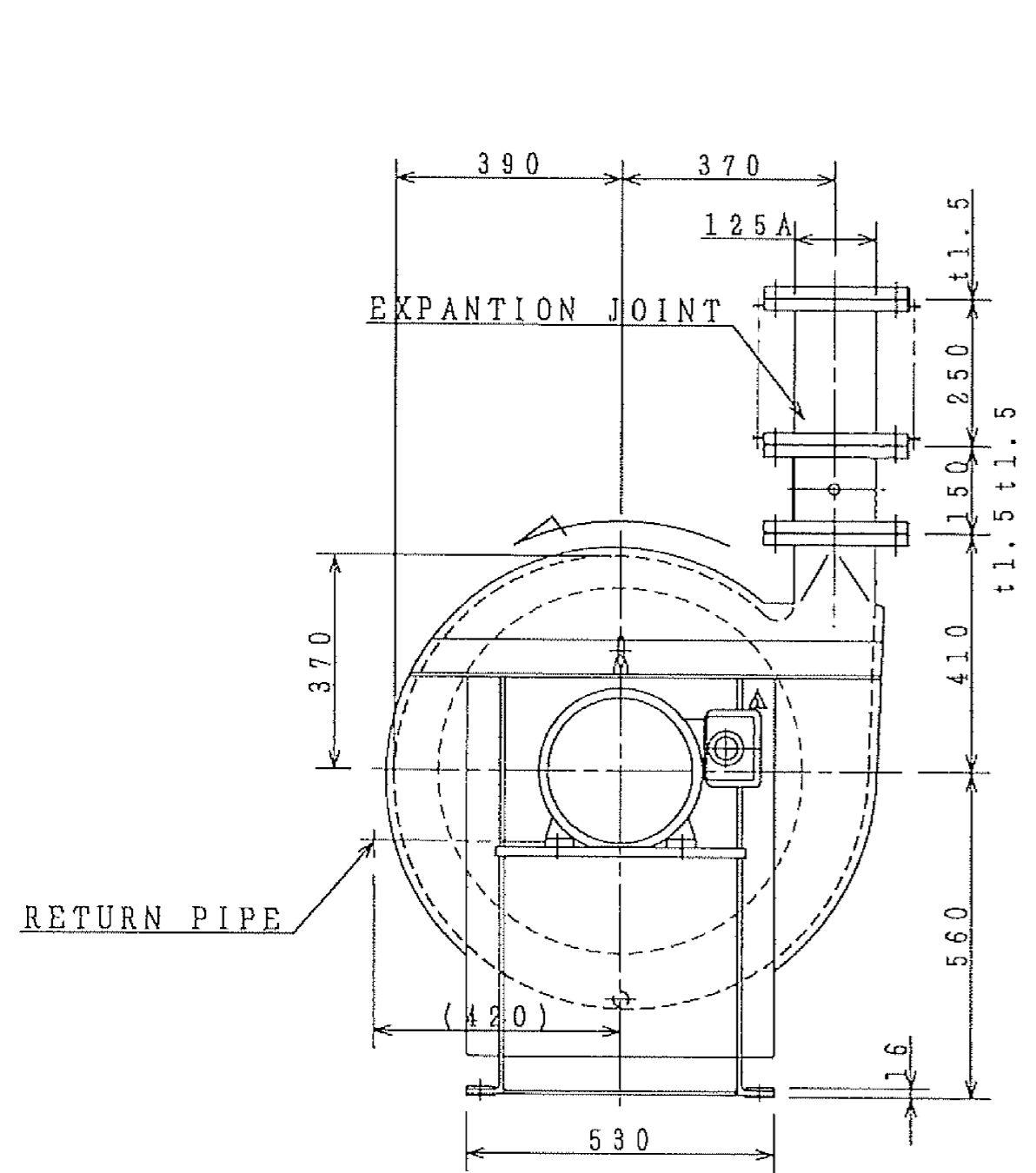


図面番号 DRAWING NO.
2KT005103
REV. MARK
D

C/H 図面番号 DRAWING NO. F1 2KT005103
 変更種別名称 TITLE (ABBR) * DAVAPOR EXT OUTLINE
 品質管理 担当 M.F. 5 FA 1
 普通許容差 下記ニヨル
 金属削り KDA A3521
 溶接品・ガス切断 KDA A3524

この図面は指定スル規格・標準類デ、
 発行年・変更記号ノ指示ガナイモノハ
 最新版ヲ適用スルコト



WEIGHT: 300 kg

Specification

FAN BLOWER	AIR VOLUME	24 m ³ /min
	STATIC PRESSURE (at 20°C)	0.07 bar(g)
	REVOLUTION	3000 min ⁻¹ (SS)
	TEMPERATURE	20 deg·C
	HUMIDITY	65 %

MAIN OIL TANK VAPOUR EXTRACTOR A	50MAV71AN001 / 60MAV71AN001
MAIN OIL TANK VAPOUR EXTRACTOR B	50MAV72AN001 / 60MAV72AN001

ISSUED FOR AS-BUILT

REV	DATE	DESCRIPTION	BY	CHKD	APPD
1	JAN.25'22	FOR AS-BUILT	T.T	S.W	S.W
0	OCT.2'19	ISSUE FOR CONSTRUCTION	T.Y	R.I	Y.N

OWNER
PT.Bhumi Jati Power
 PROJECT TITLE
**TANJUNG JATI B EXPANSION (JAWA-4)
 COAL FIRED STEAM POWER PLANT
 2 x 1,000 MW**
 OWNER'S ENGINEER
PÖYRY
 EPC CONTRACTORS
Sumitomo Corporation
PT. Wasa Mitra Engineering
AvantPower Japan Ltd.

PROJECT DRAWING NO.
TJB56-L1-OFF-C-MVB-M-DRD-2688 REV
1

APPD Y.KONO Y.K SCALE TITLE
 CHDK S.HORII S.H
**Outline Drawing for
 Vapour Extractor**

BY D.MOTOYA D.M UNITS mm/m ISO/PLAN/1ST/3RD
 EPC LOT SUB-CONTRACTOR
TOSHIBA EPC LOT SUB-CONTRACTOR DRAWING NO.
2KT005103 REV
D SHEET NO. 1 OF 1

The information in this material is confidential and contains Toshiba's intellectual property including know-how. It shall not be disclosed to any third party, copied, reproduced, used for unauthorized purposes nor modified without prior written consent of Toshiba.
 Toshiba Corporation

DRS-A015445 S.Watanabe JAN.-31-'22	DRS-A014677 Y.Nakamura OCT.-02-'19	DRS-A014620 Y.Nakamura AUG.-27-'19	NDS-R516266 承認 APPROVED BY Y.Kono JAN.-30-'19
S.Watanabe JAN.-31-'22	Y.Nakamura OCT.-02-'19	R.Iwasaki AUG.-27-'19	調査 REVIEWED BY S.Horii JAN.-30-'19
T.Tsunekawa JAN.-28-'22	T.Yamamoto OCT.-02-'19	T.Yamamoto AUG.-27-'19	担当 PREPARED BY D.Motoya JAN.-30-'19
D - XIT05 For AS-BUILT	C - XIT05 ISSUE FOR CONSTRUCTION	B - XIT05 REVISED AS PER CUSTOMER COMMENT.	REVISIONS 記事 CONTENTS K3-180242/3

承認 APPROVED BY 調査 REVIEWED BY
 Y.Kono JAN.-30-'19
 調査 REVIEWED BY 担当 PREPARED BY
 S.Horii JAN.-30-'19 D.Motoya JAN.-30-'19
 単位 mm/m
TOSHIBA 東芝エネルギーシステムズ株式会社
TOSHIBA ENERGY SYSTEMS & SOLUTIONS CORPORATION

名称 TITLE
**Outline Drawing for
 Vapour Extractor**
 TANJUNG JATI 'B' Re-Expansion Project UNIT 5&6 2x1000MW
 図面番号 DRAWING NO.
2KT005103 変更記号
D