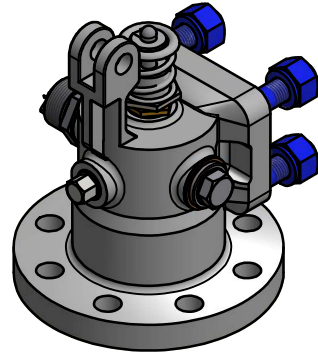




WARNING! DANGER OF INJURY!  
REFER TO SAFETY SECTION OF MANUAL  
FOR SAFETY GUIDELINES

ITEM	QTY	PART NUMBER	DESCRIPTION
1	1	CONTRACT SPECIFIC	VALVE BODY
2	1	00006518	AIR SCAVENGE VALVE
3	1	00001659	COPPER JOINT
4	1	PI 23253	LOCKING PIN
5	1	00006234	VALVE SPRING
6	1	00006363 FOR Ø37	VALVE DISC
7	1	00006355	VALVE STEM
8	1	00006019	RETAINING PLATE
9	1	00005439	RETAINING CAP
10	1	00005315	SPRING RETAINER
11	1	FPLTG1	PLUG
12	1	00006160	STUFFING BOX NUT
13	1	00006361	VALVE STEM GUIDE
14	1	00006346 FOR Ø37	VALVE SEAT
15	1	00006150	PACKING BUSH
16	3	00000822	ISOLATING VALVE PACKING
17	1	00001657	GASKET
18	1	00050036	SERRATED GASKET
19	1	00005249	PRESSURE CONTROL DISC
20	1	00003320	HORSESHOE KEY
21	1	00001642	GASKET

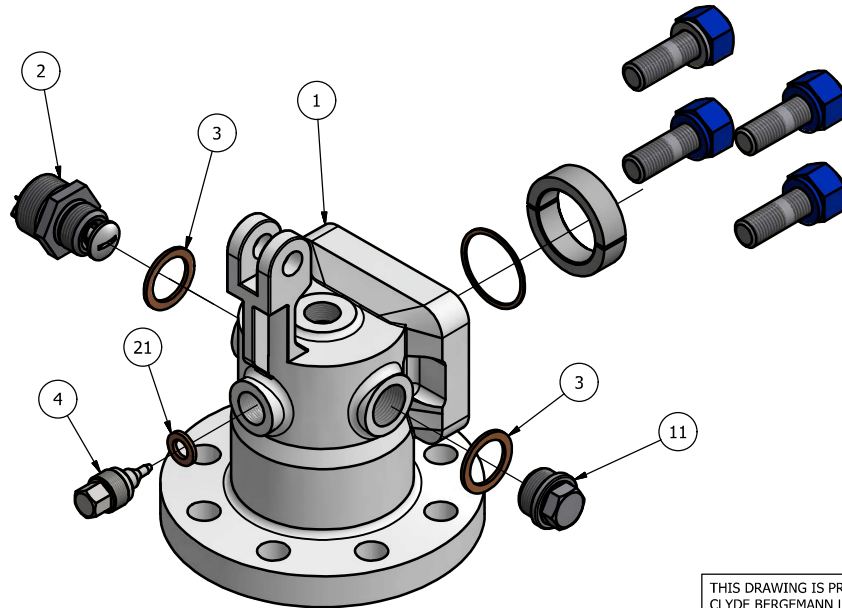


VALVE SET  
EXPLODED  
ASSEMBLY



VALVE SET  
ASSEMBLY

00007045 FOR Ø37 INTERNALS



THIS DRAWING IS PROPERTY OF  
CLYDE BERGEMANN LIMITED.  
IT SHOULD NOT BE COPIED, DUPLICATED  
(IN PART OR FULL) TO AN OUTSIDE  
PARTY WITHOUT WRITTEN CONSENT FROM  
CLYDE BERGEMANN LIMITED



TITLE
37 mm VALVE ASSEMBLY

DRAWING NO.	REV.
FS-H_MAN_2	R00
DRAWN	DATE
AA/MG	20/04/17