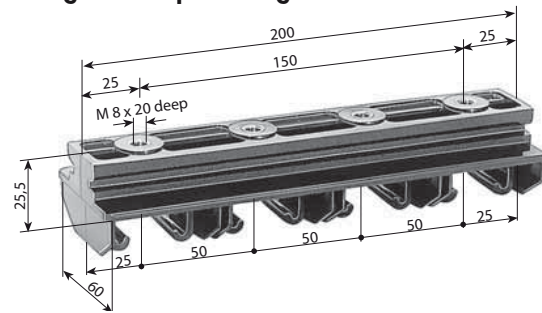




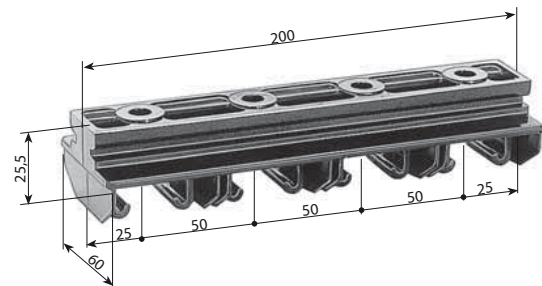
Any number of conductors can be assembled by cutting/combining the compact hangers.
The joints and feeds have to be arranged staggered.

Compact hanger, 4 pole for direct bolting



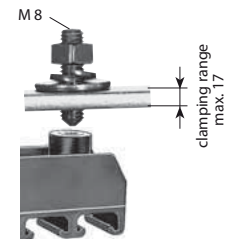
Type	Weight kg	Order- No.
KA 30/4	0,172	133 570

Compact hanger, 4 pole to go with bracket 38/17



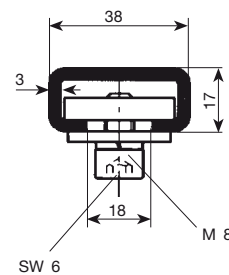
Type	Weight kg	Order- No.
KH 30/4	0,165	133 571

Attachment hardware for compact hangers, insulated hangers and insulators



Type	Weight kg	Order- No.
BE 8	0,028	130 060
BE 8 K 4 ⁽¹⁾	0,028	130 111

Bracket profiles 38/17

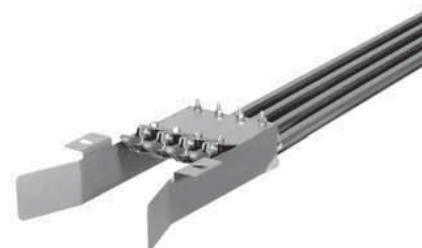


Type	Lenght mm	Number of poles	Weight kg	Bestell-Nr.
HU 30/400	400	5	0,820	130 113
HU 30/600	600	10	1,160	130 114



Transfer funnel for compact arrangement EMK 30/1-6.

Transfer funnels are for spurlines, switches and turntables required.
They have a height and lateral tolerance of +/- 25 mm.
The conductor distance has to be 50 mm.
Collector types KSTU 140 and KDSTU 280 have to be used.



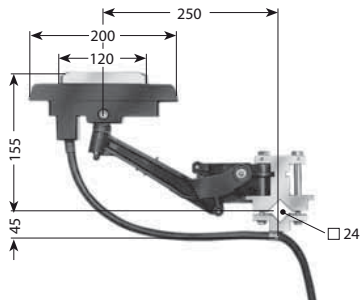
For construction please request drawing.

⁽¹⁾ Stainless steel hardware



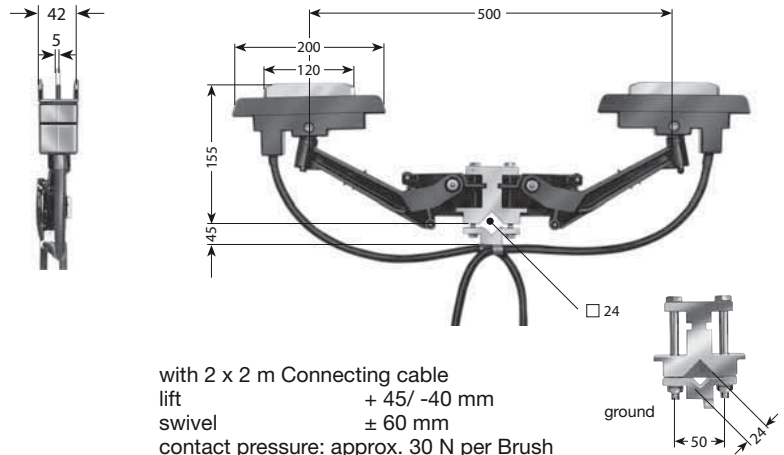
CURRENT COLLECTORS FOR U 30

Current collectors



with 2 m Connecting cable
lift + 45/ -40 mm
swivel ± 60 mm
contact pressure: approx. 30 N

Double collector

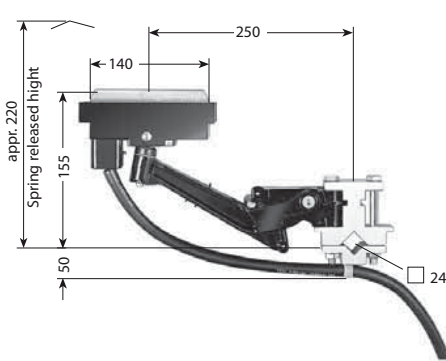


with 2 x 2 m Connecting cable
lift + 45/ -40 mm
swivel ± 60 mm
contact pressure: approx. 30 N per Brush

Type	Am- pacity A	Connecting cable		Weight kg	Order- No.		Type	Am- pacity A	Connecting cable		Weight kg	Order- No.	
		mm ²	ø max/ mm		phase black	ground yellow			mm ²	ø max/ mm		phase black	ground yellow
KST 100/30	100	16	14,5	1,724	133 938	133 939	KDST 200/30	200	16	14,5	3,111	133 940	133 941
KST 125/30	125	25	16,5	1,960	130 863	130 864	KDST 250/30	250	25	16,5	3,583	130 865	130 866

Current collectors⁽¹⁾

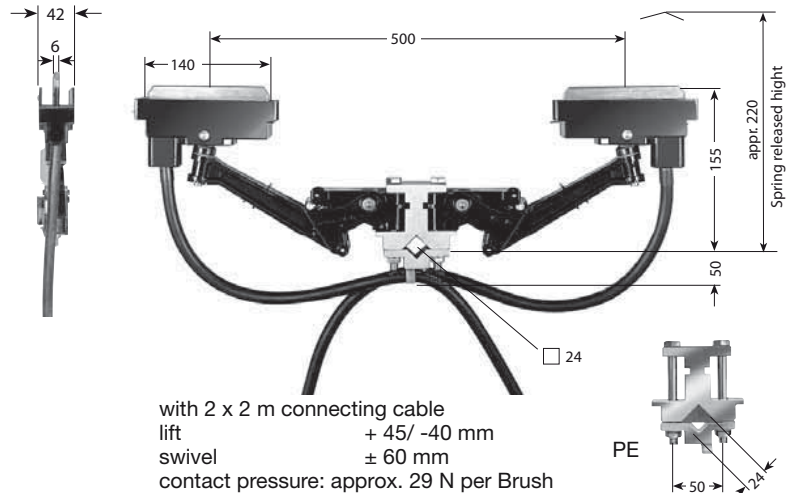
for transfer applications KSTU 140/30



with 2 m connecting cable
lift + 45/ -40 mm
swivel ± 60 mm
contact pressure: approx. 29 N

Double collectors⁽¹⁾

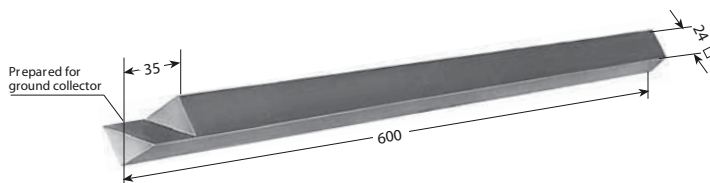
for transfer applications KDSTU 280/30



with 2 x 2 m connecting cable
lift + 45/ -40 mm
swivel ± 60 mm
contact pressure: approx. 29 N per Brush

Type	Am- pacity A	Connecting cable		Weight kg	Order- No.		Type	Am- pacity A	Connecting cable		Weight kg	Order- No.	
		mm ²	ø max/ mm		phase black	ground yellow			mm ²	ø max/ mm		phase black	ground yellow
KST 140/30	140	25	16,5	1,935	130 048	130 049	KDST 280/30	280	25	16,5	3,395	130 052	130 053
KSTU 140/30	140	25	16,5	1,990	130 050	130 051	KDSTU 280/30	280	25	16,5	3,535	130 054	130 055
KST 175/30	175	35	18,5	2,183	130 869	130 870	KDST 350/30	350	35	18,5	3,891	130 873	130 874
KSTU 175/30	175	35	18,5	2,238	130 871	130 872	KDSTU 350/30	350	35	18,5	4,031	130 875	130 876

Collector bracket



Type	Weight kg	Order- No.
UM 24	2,600	175 076

With a length above 600 mm for the towing arm a support have to be considered on site to prevent bending or twisting.

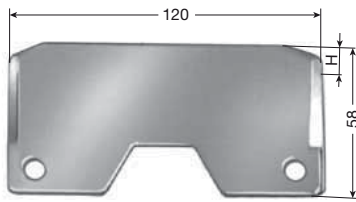
Longer length are available.

⁽¹⁾ Special version for acid factories available.
Ampacity with use on stainless steel conductors on request.

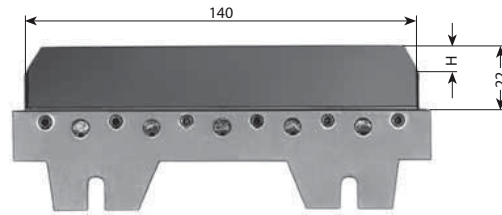
COLLECTOR COMPONENTS U 30 • EXAMPLE FOR ORDERING



Copper-graphite brush



KMK 100/30

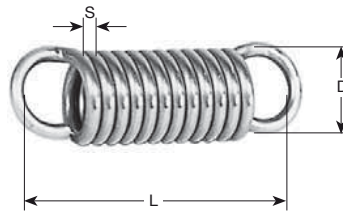


KMK 140/30

Dim. H: max. wear for U 30/100 C

Type	for collector	H mm	Weight kg	Order- No.
KMK 100/30	KST 100/30, KDST 200/30	4	0,198	130 609
KMK 140/30	KST 140/30, KDST 280/30, KSTU 140/30, KDSTU 280/30	5,5	0,177	133 590

Tension spring



Type	for collector	Weight kg	L mm	D mm	S mm	Order- No.
ZF 6	KST 100/30, KST 140/30, KDST 200/30 KST 140/30, KDST 280/30, KSTU 140/30, KDSTU 280/30	0,023	56,50	17,30	2,25	170 167

Example for ordering 160 m power supply system, 3 pole + ground, 530 A

	Qty.	Description	Type	Order- No.
	78	Insulated conductors, 6 m long	phase U 30/200 C	130 446
	3	Insulated conductors, 1 m long	phase U 30/200 C	130 441
	26	Insulated conductors, 6 m long	ground U 30/100 C⁽¹⁾	130 336
	1	Insulated conductor, 1 m long	ground U 30/100 C⁽¹⁾	130 331
	6	Expansion sections, 1,5 m long	phase UDV 30/200 C	130 543
	2	Expansion sections, 1,5 m long	ground UDV 30/100 C⁽¹⁾	130 538
	104	Rigid joints	UV 30/100-225	130 527
	8	Feed terminals	UE 30/100-225	130 603
	24	Locating clamps	USK 30 K 4	133 537
	8	End caps	UK 30	132 120
	432	Insulated hangers	UAM 30	132 690
	6	Double collectors, phase	KDST 280/30	130 052
	1 ⁽¹⁾	Double collectors, ground	KDST 280/30	130 053
	2	Collector bracket	UM 24	175 076

Dimensions in parenthesis include insulators GHH 75/UAS 30 with railholder UAK 30 K 4

⁽¹⁾ Capacity reduces per VDE 0100, part 540



COLLECTOR COMPONENTS U 30

Spare parts for collectors of type KST 100/30 upto KDST 200/30

Part.-No.	Description	Weight kg	Order- No.
1	Brush (see page 28)	–	–
2	Brush holder for KST 100	0,195	170 338
3	Collector base for KST 100	phase	170 338
4		ground	170 340
5	Collector base for KDST 200	phase	170 342
6		ground	170 343
7	Connecting cable RKA 16/8 PH, 2 m long	0,614	170 344
8	Connecting cable RKA 16/8 PE, 2 m long	0,459	170 345
9	Terminal bolt M8 x 20 K4	0,022	170 818
9	Tension spring (see page 27)	–	–

