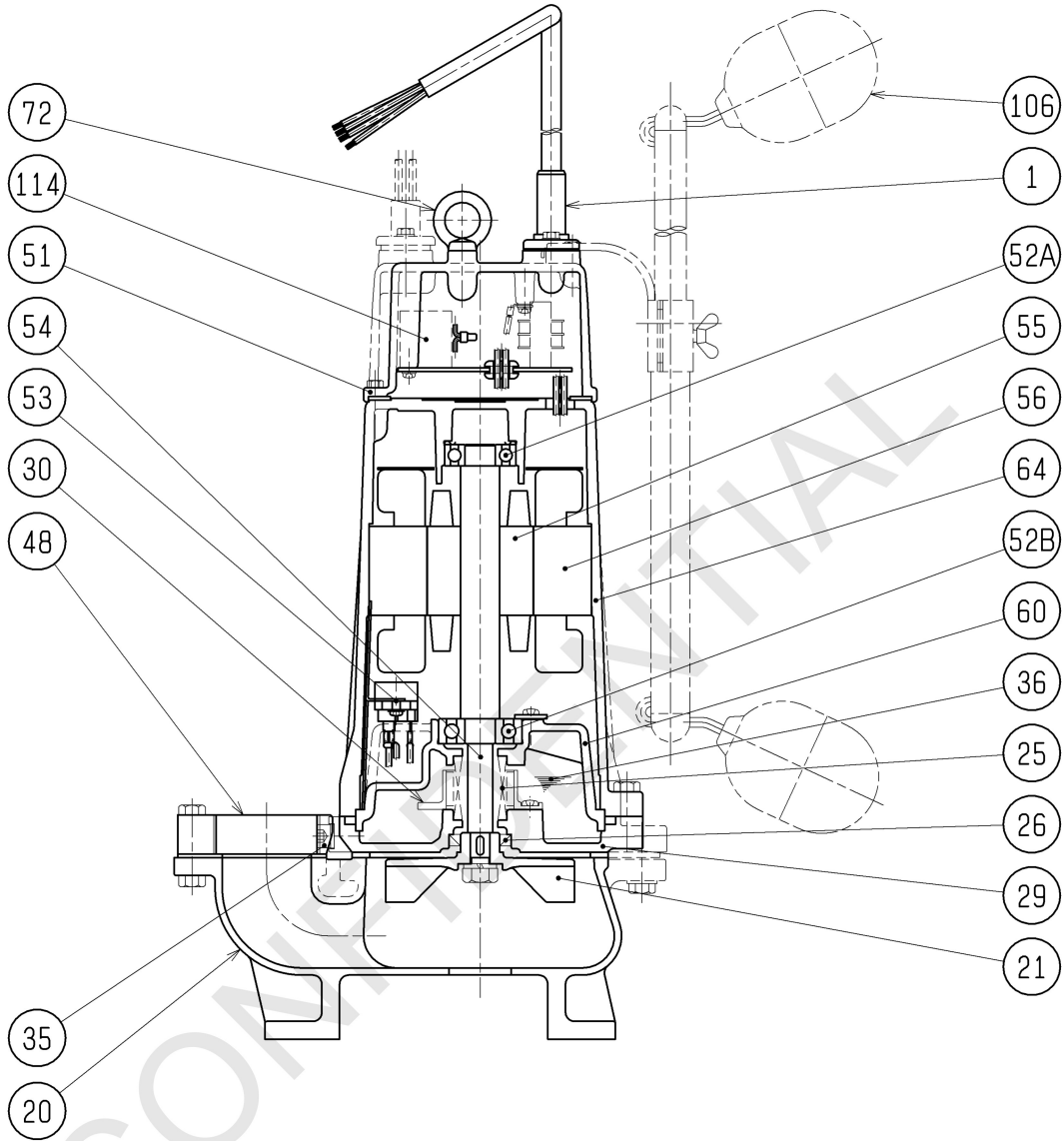


SECTIONAL DRAWING		No.	No.	A-20078-1
TYPE	Submersible Vortex Sewage Pump (Automatic)	MODEL	50UA2.75 -53/63	



REQ. SPECIFICATION	

No.	DESCRIPTION	QTY	MATERIAL / NOTE	No.	DESCRIPTION	QTY	MATERIAL / NOTE
1	Cable	1	PVC Sheath	52B	Lower Bearing	1	6303ZC3
20	Pump Casing	1	Gray Iron Casting	53	Motor Protector	1	
21	Impeller	1	Gray Iron Casting	54	Shaft	1	Stainless Steel 420J2
25	Mechanical Seal	1	W-14HC	55	Rotor	1	
26	Oil Seal	1	SC22357	56	Stator	1	
29	Oil Casing	1	Gray Iron Casting	60	Bearing Housing	1	Gray Iron Casting
30	Oil Lifter	1	Plastic	64	Motor Frame	1	Gray Iron Casting
35	Oil Plug	1	Stainless Steel 304	72	Eye Bolt	2	Stainless Steel 304
36	Lubricant		Turbine Oil (ISO VG32)	106	Float	2	Plastic
48	Screwed Flange	1	Gray Iron Casting	114	Relay Unit	1	
51	Head Cover	1	Gray Iron Casting				
52A	Upper Bearing	1	6203ZC3				