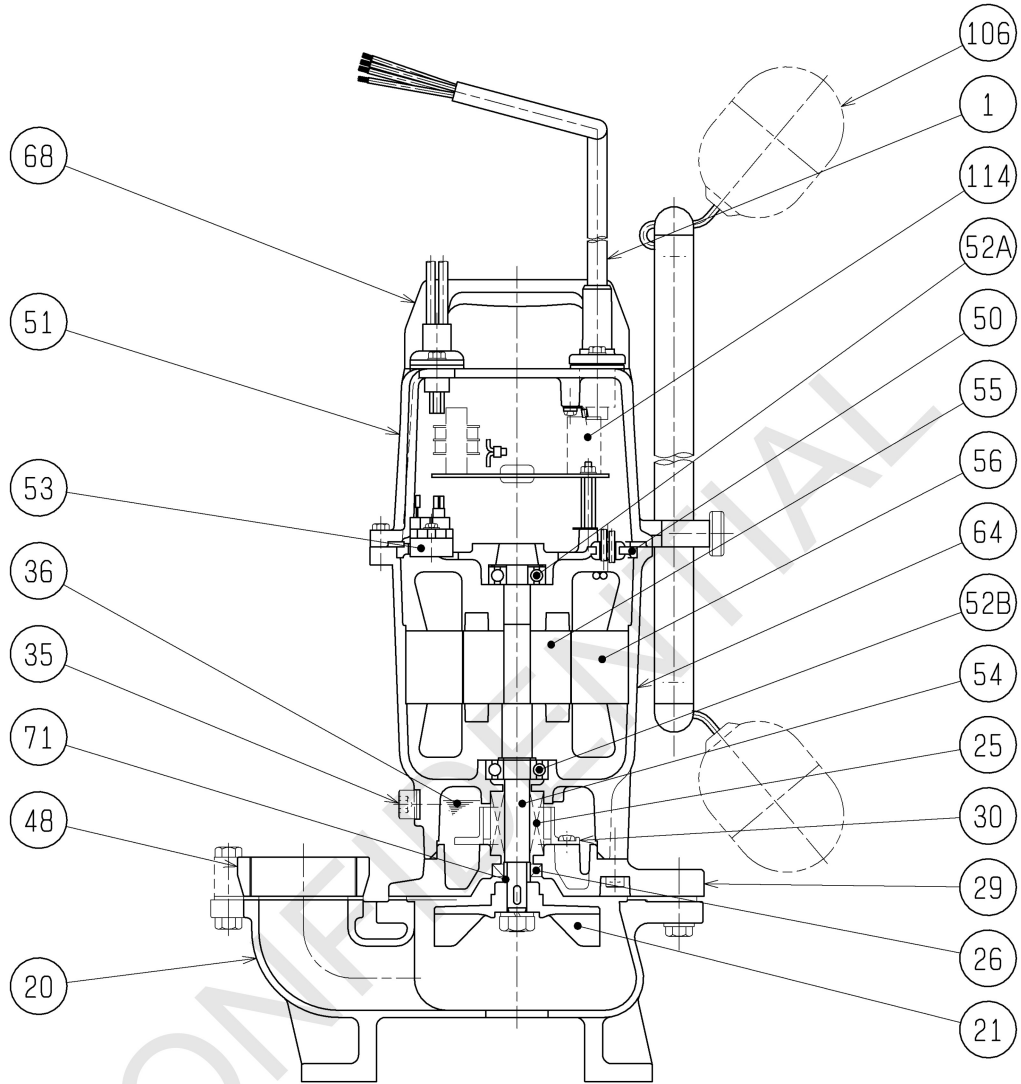




SECTIONAL DRAWING		No.	No.	A-18318-2
TYPE	Sewage Submersible Vortex Pump (Automatic)	MODEL	50UA2.4 -52/62	



REQ. SPECIFICATION	

No.	DESCRIPTION	QTY	MATERIAL / NOTE	No.	DESCRIPTION	QTY	MATERIAL / NOTE
1	Cabtyre Cable	1	PVC Sheath	52B	Lower Bearing	1	6202ZZC3
20	Pump Casing	1	Gray Iron Casting	53	Motor Protector	1	
21	Impeller	1	Gray Iron Casting	54	Shaft	1	Stainless Steel 420J2
25	Mechanical Seal	1	W-14HC	55	Rotor	1	
26	Oil Seal	1	SC15287	56	Stator	1	
29	Oil Casing	1	Gray Iron Casting	64	Motor Frame	1	Gray Iron Casting
30	Oil Lifter	1	Plastic	68	Handle	1	Plastic
35	Oil Plug	1	Stainless Steel 304	71	Shaft Sleeve	1	Stainless Steel 430
36	Lubricant		Turbine Oil (ISO VG32)	106	Float	2	Plastic
48	Screwed Flange	1	Gray Iron Casting	114	Relay Unit	1	
50	Motor Bracket	1	Gray Iron Casting				
51	Head Cover	1	Gray Iron Casting				
52A	Upper Bearing	1	62017ZC3				