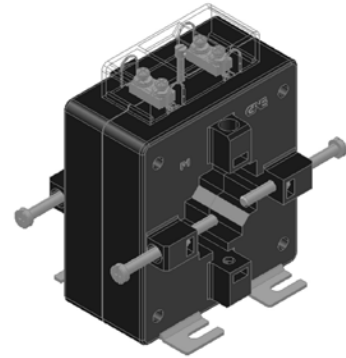


Current Transformer

CT 110 – Window

IEC 60044-1



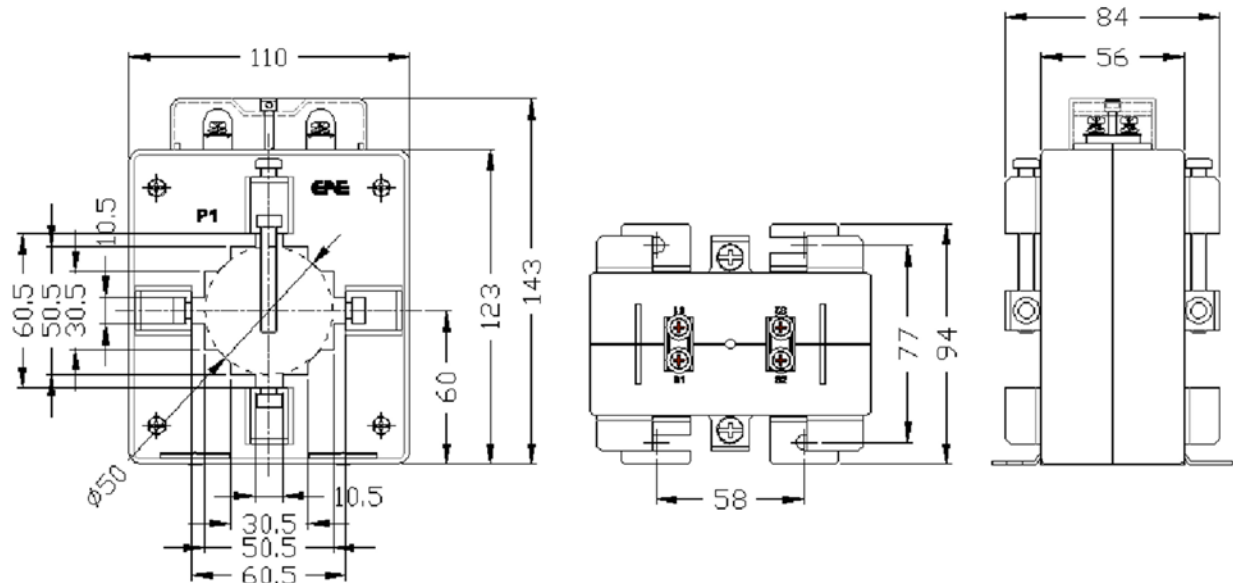
Specification

Highest voltage for equipment U_m (r.m.s.)	0.72 kV
Rated power-frequency withstand voltage (r.m.s.)	3 kV
Rated short-time thermal current (I _{th})	60 I _{pn}
Rated dynamic current (I _{dyn})	2.5 I _{th}
FS	5
Class of Insulation	E
Rated frequency	50 ... 60 Hz
Working temperature	0° ... 50° C
Storage temperature	-10° C ... +70° C
Relative humidity	95% (non condensing)
Cable diameter	≤ 50 mm
Bus Bar Size (h x w) mm	5x10 ... 10x60
Case / Color	PC V0 / Black
Weight	1,091 gr

Sales Package :

- Terminal cover : 1 pcs
- Cover seal screw : 1 pc
- Fastening screw (M6x65) + Nut M6 : 4 pcs
- Mounting clad : 4 pcs
- QC sheet : 1 pcs

Dimension (mm)



Ordering Code

Rated Current I _{pn} /I _{sn}	Class 1		Class 0.5		Class 0.5S	
	Rated Output (VA)	Ordering Code	Rated Output (VA)	Ordering Code	Rated Output (VA)	Ordering Code
200/5A	2.5	20700	-	-	-	-
250/5A	3.75	20702	2.5	20701	-	-
300/5A	5	20705	3.75	20704	2.5	20703
400/5A	7.5	20708	5	20707	3.75	20706
500/5A	10	2070B	7.5	2070A	5	20709
600/5A	15	2070F	10	2070E	7.5	2070D
750/5A	20	2070K	15	2070J	10	2070I
800/5A	20	2070P	15	20700	10	2070N
1000/5A	30	2070U	20	2070T	15	2070S
1200/5A	40	2070Z	30	2070Y	20	2070X
1250/5A	40	20714	30	20713	20	20712
1500/5A	50	20719	40	20718	30	20717
1600/5A	60	2071E	50	2071D	40	2071C

Rated Current I _{pn} /I _{sn}	Class 0.2		Class 0.2S	
	Rated Output (VA)	Ordering Code	Rated Output (VA)	Ordering Code
200/5A	-	-	-	-
250/5A	-	-	-	-
300/5A	-	-	-	-
400/5A	-	-	-	-
500/5A	-	-	-	-
600/5A	5	2070C	-	-
750/5A	7.5	2070H	5	2070G
800/5A	7.5	2070M	5	2070L
1000/5A	10	2070R	7.5	2070Q
1200/5A	15	2070W	10	2070V
1250/5A	15	20711	10	20710
1500/5A	20	20716	15	20715
1600/5A	30	2071B	20	2071A