

## **TOMOE® BUTTERFLY VALVES**

**ΔΙΚΛΕΙΔΕΣ ΠΕΤΑΛΟΥΔΑΣ ΟΙΚΟΥ ΤΟΜΟΕ**

**TOMOE®**



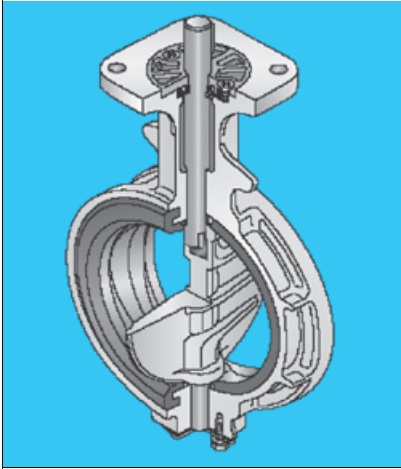
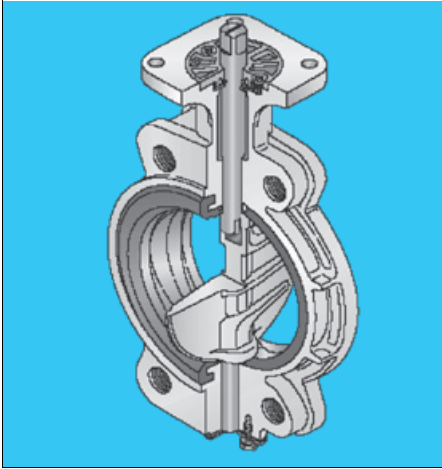
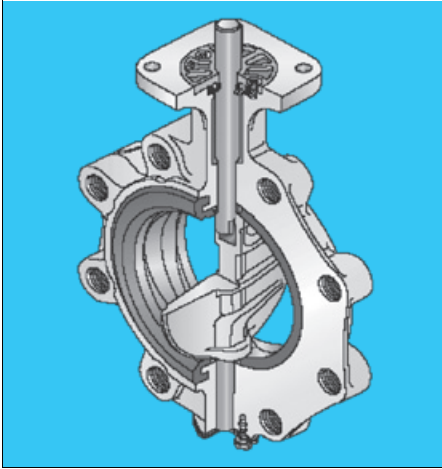





**ΙΩ** **JOHN GIOXAS & Co. SA**  
*Industrial and Marine Supplies*

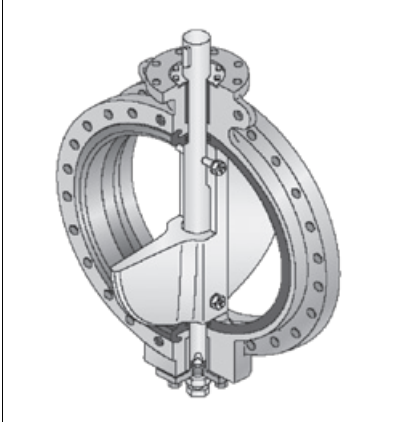
23A ETOLIKOU Str., GR 18545, PIRAEUS, GREECE


Tel.: (+30) 210 4610442, Fax: (+30) 2104610446

e-mail: [mail@johngioxas.com.gr](mailto:mail@johngioxas.com.gr)

## TOMOE BUTTERFLY VALVES

MODEL <b>700G</b> WAFER	MODEL <b>705G</b> SEMI LUGGED	MODEL <b>704G</b> FULL LUGGED			
					
Sizes	from DN40 To DN600				
Applicable flange standard	DIN-PN10, DIN-PN16 JIS-5K, JIS10K ANSI-125Lb, ANSI150Lb, BS4504-NP10 and NP16, BS10 "E"				
Face to Face specs	API 609 and ISO 5752 series20				
Working conditions	Depending on Size and Seat Ring, please consult us.				
Body material	Ductile Iron FCD450 (GGG50) , Cast Iron FC250 (GG25), Cast Steel on request				
Disc material	Stainless Steel SCS14 (SS316), SCS13 (SS304) Aluminum Bronze CAC702, PPS, Nylon coating, Ductile Iron FCD450 hard chrome plating				
Seat Ring	NBR, EPDM, upon request Head Resistant EPDM, White NBR, FPM, SEP, CR				
Operation	    				
	Lock Lever	Worm Gear	Center Handle	Pneum.Actuator	Electr.Actuator

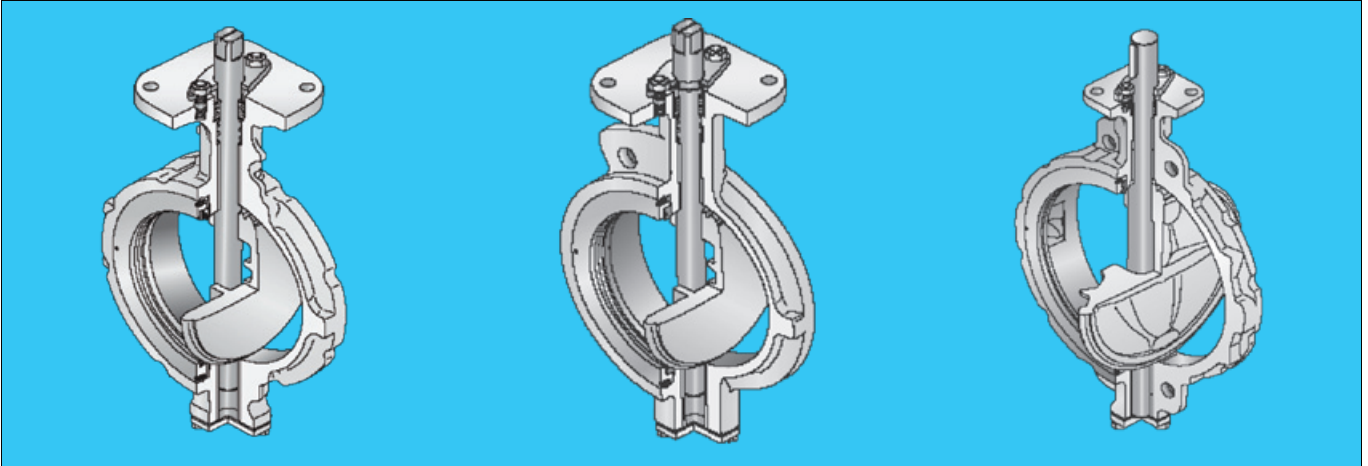
DOUBLE FLANGED BUTTERFLY VALVES model 722F and 720F		
	Flanged ends	according JIS10K and JIS5K ( semistandard ANSI 125Lb/150Lb)
	Max Working Pressure	1.0MPa
	Temperature	minus 20 degC to 120 degC
	Body Material	Cast Steel SCPH2
	Disc Material	Stainless Steel SCS13 (SS 304)
	Stem Material	Stainless Steel SUS 403
	Seat Ring	NBR, EPDM
	Certificates & Approvals	NK, ABS, LR, BV, DNV, KR
	Valve Nominal Size	from 125mm to 800mm --> model 722F (old 720F) from 850mm to 1350mm --> model 722F , for size 50mm to 100mm model 704G- FULL LUGGED body
	Operation	Lock Lever, Worm Gear, Center Handle, Pneum., Electric Actuator
Other material for Body and Disc are also available. Consult us		

SEMI-LUGGED BUTTERFLY VALVE model 700S (JIS length)		
	Sizes	DN50 to DN1350
	Applicable flange standard	according JIS5K and JIS10K
	Max Working Pressure	1.0MPa
	Temperature	minus 20 degC to 120 degC
	Body Material	Cast Iron FC250
	Disc Material	Stainless Steel SCS13 (SS 304), Ductile Iron FCD450 Hard Cr plat.
	Seat Ring	NBR, EPDM
	Certificates & Approvals	NK, ABS, LR, BV, DNV, KR
	Operation	Lock Lever, Worm Gear, Center Handle, Pneum., Electric Actuator

## TOMOE BUTTERFLY VALVES


### Series 300, Double Offset Butterfly Valves Models 302Y, 304Y, 304A, 304Q, 302A, 303Q

The 300 SERIES of DOUBLE OFFSET butterfly valves provides a range of PTFE, METAL SEATED and FIRESAFE valves to suit a wide range of applications within the 20 barg to 250 C, pressure temperature band, and they provide a cost effective alternative to gate and globe valves.

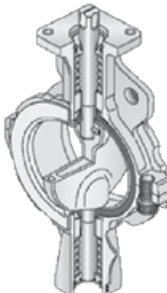


Sizes	from DN40 to DN600
Connection	Wafer, Lugged
Applicable flange standard	DIN PN6, DIN PN10, DIN PN16, ANSI 125Lb/ANSI 150Lb, ISO 2084 NP10/16 JIS 5K, JIS 10K, JIS 16K, JIS 20K, BS10 table E/F, BS4505 PN10/PN16
Seat Type	Teflon seat type, Metal seat type
Face to Face specifications	ISO 5752 (20 series), JIS B2002 (46 series), API 609 (class150), ISO 5752 (25 series)
Max. Working Pressure	up to 2MPa (20barg)
Pressure Rating	depending on model ANSIB16.34, B16.42, , API609, JPI-7S-83
Seat Leakage	depending on model ISO 5208 rate A or rate C , API 598-7th
Working Temperature Range	from -20 degC up to 250 degrees C, up to 600 degC for the model 302A/302Q
Body Material	Ductile iron FCD450-Truffride treated, Carbon Steel SCPH2/WCB Stainless Steel SCS13A/CF8, SCS14A/CF8M
Disc Material	Stainless Steel SCS13A-HdCr plating, SCS16A/CF3M-HdCr plating, SCS 14A/CF8M-HdCr
Seat ring	SUS316, RPTFE-carbonGraphite, RPTFE-carbon reinforced Teflon, SUS316L-HF
Fire Safe for 302A/303Q	API 607-7th
Actuators	Lock lever, Worm Gear, Pneumatic Cylinder, Motorized

### High Pressure Rubber Lined Butterfly Valves 731P/732P (Wafer) 731Q/732Q (Lugged)

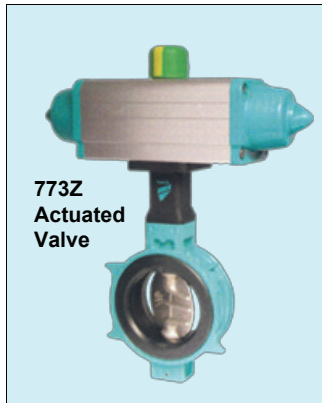
	Sizes	50A to 300A
	Applicable flange standard	JIS10K, 16K, 20K, ANSI 125Lb, 150Lb, DIN PN10, PN16, PN 25
	Face to Face	ISO 5752 (series 20), JIS B2002(2032), BS5155
	Max Working Pressure	1,6MPa - 2,0MPa
	Vaccum Conditions	2,0 torr or over
	Temperature	minus 20 degC to 120 degC
	Body Material	Ductile Iron FCD450/A395, Carbon Steel SCPH2/WCB
	Disc Material	Stainless Steel SCS14/CF8M
	Seat Ring	NBR, EPDM
	Operation	Lock Lever, Worm Gear, Center Handle, Pneum., Electric Actuator

### Series 800 Polymeric(PTFE) Seated Butterfly valves 846T, 847T, 843T, 845T (Wafer), 847T(Lugged)

	Sizes	DN50 to DN600
	Applicable flange standard	DIN PN10, ANS125Lb/150Lb, BS4504 PN10, BS 10Table E
	Face to Face	ISO 5752 wafer short, JIS B2002-serie46, Manufacturer standard
	Max Working Pressure	0,7Mpa to 1,0MPa
	Special Features	Tight shut-off, Bi-directional
	Temperature	minus 20 degC to 200 degC depending on seat and disc material
	Body Material	Ductile Iron FCD450, ASTM A395
	Disc Material	Stainless Steel SCS14(CF8M), PFA Lining, PTFE(back-up CR), PPS
	Seat Ring	Stainless Steel SCS14(CF8M), PFA Lining, FCD-S+PTFE, PPS
Operation	Lock Lever, Worm Gear, Center Handle, Pneum., Electric Actuator	

## TOMOE BUTTERFLY VALVES

### VALVES FOR SPECIAL APPLICATIONS



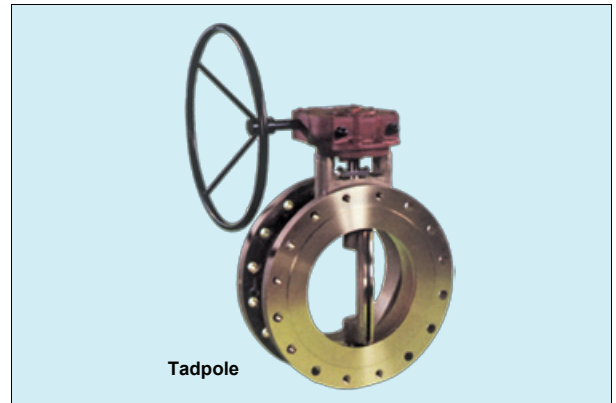
**773Z  
Actuated  
Valve**

Body: Die cast Aluminum  
Disc: SS316, PPS  
Seat: NBR, EPDM  
10 Barg, up to 120 degC  
SERVICE HEVAC, WATER



**701G**

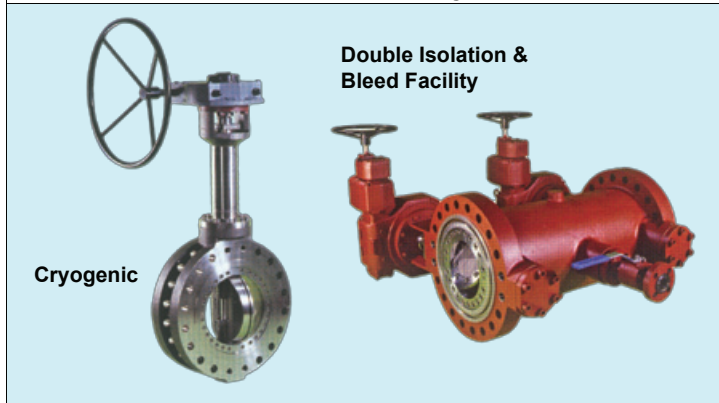
Body: SG iron / polyester  
Disc: SS316 Mirror finish  
Seat: SEP, W-NBR  
7 Barg, up to 130 degC  
HYGENIC SERVICE



**Tadpole**

**DOUBLE OFFSET**  
EXOTIC BODY & DISC MATERIAL  
Monel, Duplex, Titanium, Bronze Al.  
Pressure Class: up PN40, ANSI300  
SPECIAL APPLICATIONS

### Triple Offset Butterfly Valves

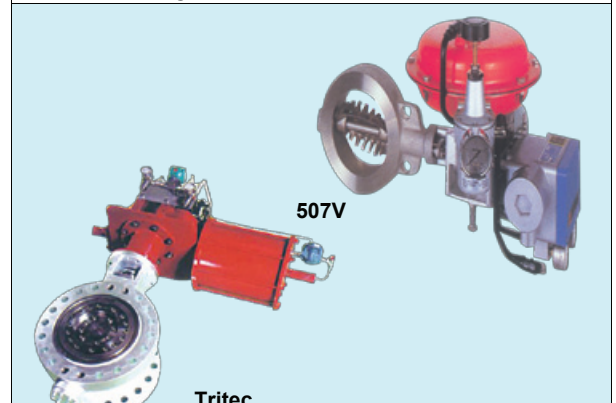


**Cryogenic**

**Double Isolation &  
Bleed Facility**

Applications: Cryogenic, Double Block & Bleed, Control valves  
EXOTIC BODY & DISC MATERIAL  
Monel, Duplex, Titanium, Bronze Al., Inconel and STD MTL  
Metal Seat  
Pressure Class: Class150 up to Class 2500  
Temperature Range: from minus196 degC up to + 1000 degC  
SPECIAL APPLICATIONS

### Rotary Control Valves & Tritec



**507V**

**Tritec**

Full control of the line fluid from the open to the close  
BODY & DISC MATERIAL  
Carbon Steel, SS316, SS304 Monel, Duplex, Titanium,  
Metal Seat, or Rubber Seat  
Pressure Class: Class150-300, PN16, TRITEC: up to 2500  
Temperature Range: minus50 degC up to + 1000 degC  
FLOW CONTROL INDUSTRIAL AND PROCESS INDUSTRIES

### APPROVALS

Within the TOMOE group there is an extensive list of Product and Type Approvals. A representative sample is:

- Lloyds Register of Shipping
- American Bureau of Shipping
- Nippon Kaiji Kyoka (NKK)
- Germanischer Lloyd
- Det Norsk Veritas
- ATEX 94/9/EC BASEEFA
- ISO 9001:2000
- PED/97/23/EC

For TOMOE TRITEC PRODUCTS various Certificates and Approvals, full list available

Official Sales, Distribution and Product Support: