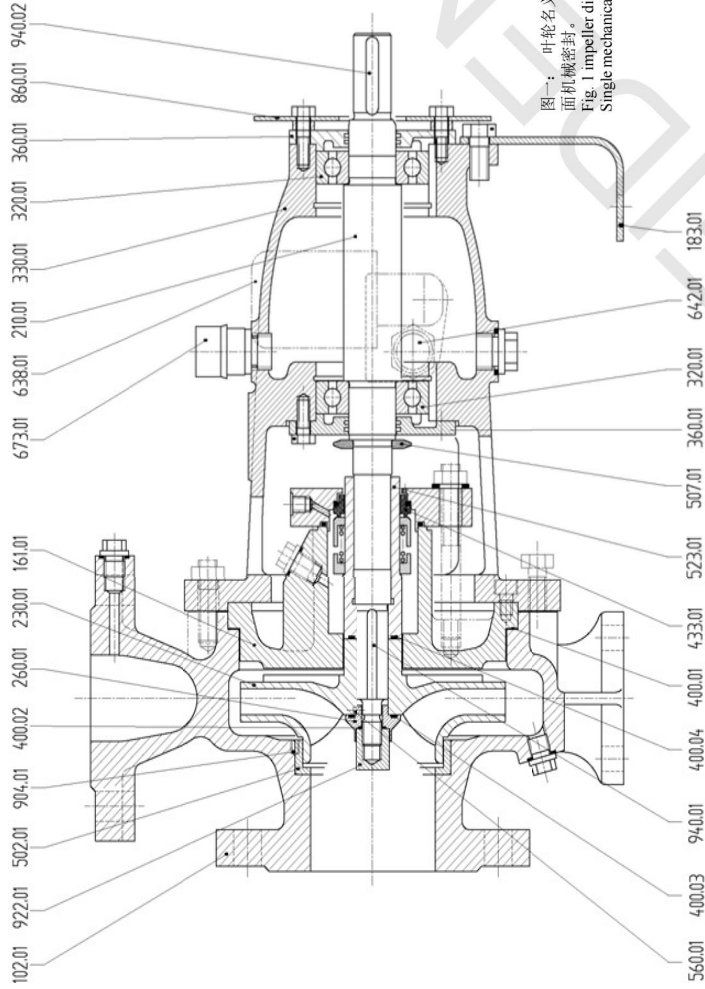
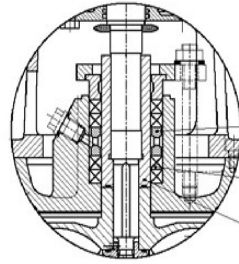


比例 SCALE	页码 Page No.	该制图图号/this sectional DWG No.
-	1 of 1	3-204 930 146

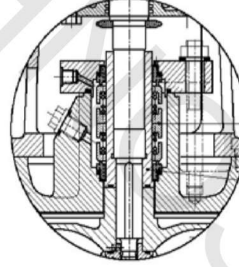
# Seawater transfer pump



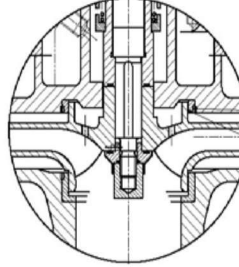
图一：叶轮名义直径<math>\le 315\text{mm}</math>，叶轮带副叶片，单端  
面机械密封。  
Fig. 1 Impeller diameter  $\le 315\text{mm}$ , with back vanes,  
Single mechanical seal.



图二：叶轮名义直径<math>\le 315\text{mm}</math>，叶轮带副叶片，填  
料密封。  
Fig. 2 Impeller diameter  $\le 315\text{mm}$ , with back vanes,  
Packing seal.



图三：叶轮名义直径<math>\le 315\text{mm}</math>，叶轮带副叶片，双端  
面机械密封。  
Fig. 3 Impeller diameter  $\le 315\text{mm}$ , with back vanes,  
Double mechanical seal.



图四：叶轮名义直径<math>\ge 315\text{mm}</math>，叶轮带平衡孔，泵  
盖带耐磨环。  
Fig. 4 Impeller diameter  $\ge 315\text{mm}$ , with  
balancing bores, back wear ring.

523.01	单封轴套 Seal-single sleeve	ASTM A890 Gr 5A	1
433.01	机械密封(单) Seal-single	S.S	1s
320.01	轴承bearing	Q235-A+有机玻璃	2
638.01	恒定油杯 Constant level oiler	Q235-A+有机玻璃	1
642.01	砂清器 Oil level sight glass	A1+玻璃(glass)	1
673.01	抽气分离器 Air release filter	IC18N19	1
940.02	键Key	CK45K DIN 1652	1
940.01	键Key	A276 Type-420	1
400.04	垫圈 Washer	PTFE	1
400.03	垫圈 Washer	PTFE	1
400.02	垫圈 Washer	PTFE	1
400.01	垫片 Gasket	(V6) REINZ AFM 34	1
922.01	帽形螺母 Cap nut	ASTM A890 Gr 5A	1
904.01	螺钉 Pin	A4-50 ISO3506	2
560.01	销Pin	ASTM A194 Grade 2H	1
860.01	支板 Support board	Q235-A	1
507.01	折流盘 Deflector	PTFE	1
210.01	轴 Shaft	A276 Type-420	1
360.01	轴承盖 Bearing cover	ASTM A216 WCB	2
330.01	轴承箱体 Bearing frame	ASTM A216 WCB	1
183.01	支脚 Foot	ASTM A1011 Type D	1
502.01	前盖 Front wearing	ASTM A890 Gr 5A	1
260.01	卡扣 Collar disc	ASTM A890 Gr 5A	1
230.01	叶轮 Impeller	ASTM A890 Gr 5A	1
161.01	泵盖 Casing cover	ASTM A995 Gr 5A	1
102.01	泵体 Casing	ASTM A995 Gr 5A	1
部件号/Part size		部件名称/Designation	材料/Material
泵体/Pump size		材料/Pump Casing or material	数量/Quantity
合同信息/CONTRACT DATA			
客户名称/Client-项目名称 上海蓝森环境技术有限公司			
设备/Project-设备名称			
设备/Equipment-设备型号			
客户/Item No. 用户订单号			
客户/Customer P.O.			
设计/Designed 物料			
审核/Checked 批准/Approved			
日期/Date 12-Jul-18			
SECTIONAL DWG/PARTS			图号/Part No.
SULZER			468

84/1197

Uncontrolled when printed or downloaded. Verify that this is the correct version before use.  
Reproduction of part or all the contents of the document is prohibited without written permission from PT. Bhumi Jepara Service