

## SECTION 14

---

# Motor Information for Scrubber Recirculation Pump A/B

00GNB43AP101

00GNB44AP101



BOUSTEAD SALCON WATER SOLUTIONS PTE LTD

---

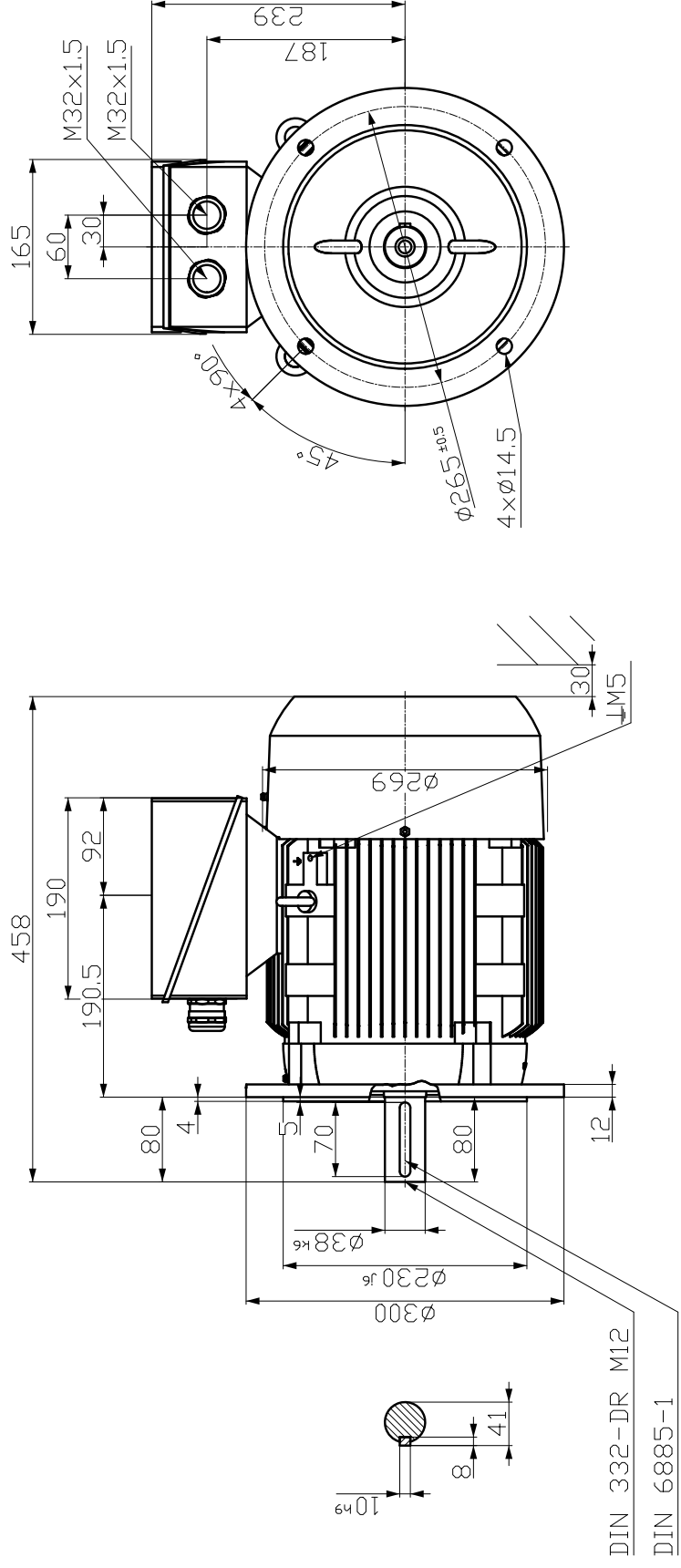
## Motor Data sheets

<b>1. Name of motor</b>	-	SCRUBBER RECIRCULATION PUMP MOTORS
<b>2. Manufacturer</b>	-	SIEMENS
<b>3. Country of origin</b>	-	EUROPE
<b>4. Type/machine code</b>	-	SQUIRREL CAGE INDUCTION
<b>5. Applied standard (characteristics)</b>	-	IEC 60034-1
<b>6. Ratings</b>		
(1) Rated output	kW	7.5
(2) Service factor	-	1
(3) Number of pole	-	2
(4) Rated speed	min <sup>-1</sup>	2950
(5) Rated voltage	V	380
(6) Number of phases	-	3
(7) Rated frequency	Hz	50
(8) Insulation class	-	F
(9) Temperature rise	-	B
(10) Rated duty	-	S1
<b>7. Service Conditions</b>		
(1) Starting method	-	DOL
(2) Direction of rotation (viewed from DE)	-	CW
(3) Reverse rotation (Yes / No)	-	NO
(4) Location (Indoor / Outdoor)	-	OUTDOOR
(5) Enclosure IP rating		
(a) Motor frame	-	IP55
(b) Terminal boxes	-	IP55
(6) Installation (Horizontal / Vertical)	-	HORIZONTAL
(7) Design ambient temperature	°C	-20 to 40
(8) Explosion proof (Required / Not required)	-	NOT REQUIRED
(9) Noise level (at full-load condition)	dB (A)	68
<b>8. Characteristics</b>		
(1) Current		
(a) Normal current	A	15.97
(b) No-load current	A	
(c) Starting current	A	<650% rated current

(2) Torque		
(a) Starting torque	%	220
(b) Maximum torque	%	310
(3) Slip at rated output		0.031
(4) Efficiencies		
(a) At 100% load	%	88.1
(b) At 75% load	%	88.5
(c) At 50% load	%	87.6
(d) At 25% load	%	-
(5) Power factor		
(a) At rated load	%	81
(b) At starting load	%	87
(6) GD2 coupled with driven equipment	kg-m <sup>2</sup>	0.024
(7) Starting time with driven equipment	s	< 5
(8) Consecutive number of starts		
(a) From cold condition per hour	-	3
(b) From hot condition per hour	-	2
(c) Minimum time between 2 starts (running state)	min	
(d) Minimum time between 2 starts (stop state)	min	
(9) Allowable locked-rotor time		
(a) At cold condition	s	
(b) At hot condition	s	
<b>9. Constructions</b>		
(1) Stator winding connection (Wye / Delta)	-	DELTA
(2) Type of bearing (DE / NDE)	-	6208 2Z C3 / 6208 2Z C3
(3) Lubricants		
(a) Recommended lubricant and brand name	-	ESSO UNIREX N3
(b) Pouring method	-	GREASE GUN
(c) Quantity of lubricant for initial filling	-	40g (DE) / 40g (NDE)
(d) Recommended interval for recharging	-	8000 HOURS
(e) Recharging quantity	-	10g (DE) / 10g (NDE)
(f) Location of pouring (indicated in the outline drawing)	-	GREASE NIPPLE
(4) Bearing cooling water requirement (if required)		NOT REQUIRED
(a) Quantity	m <sup>3</sup> /h	-
(b) Inlet water temperature	°C	-
(c) Required cooling water pressure	kPa	-
(d) Type of cooling water	-	-

(5) Water to air heat exchanger (if applied)	m <sup>3</sup> /h	NOT APPLIED
(a) Quantity of cooling water	°C	-
(b) Inlet water temperature	kPa	-
(c) Required cooling water pressure	-	-
(d) Type of cooling water	-	-
(6) Space heater (AC 220V 1 phase)	W	NOT APPLICABLE
(7) Weight	kg	61
<b>10. Attached document numbers</b>		
(1) Motor outline drawing	-	SEE PAGE 87
(2) Terminal box drawings		
(a) For main power	-	
(b) For instruments	-	
(c) For space heater	-	
(3) Current transformers (for MV motors only)		
(a) Characteristics curves	-	
(b) Outline drawing	-	
(4) Efficiency curves	-	
(5) Thermal capability curves		
(a) At cold condition	-	
(b) At hot condition	-	
(6) Starting and speed torque characteristics at 80%, 90% and 100% voltage	-	

# 10.1 MOTOR OUTLINE DRAWING



DIN 332-DR M12  
DIN 6885-1

Reference	Surface	Material	Weight	Scale
1LE1501-1CA19-0FA4-Z B02+H06+L23+M1Y+N30+R10+R18+ R50+S03+S05+Y82	Author Designer Approval Department Change Order Doc. State Revision Project No.	DTK	-	mm
<b>SIEMENS</b>	Doc. No. Revision Index	20/03/18 IS	Doc. Type Paper Size 1st Language 2nd Language	/ A3 en de
© Siemens AG 2018	Doc. No. Revision Index Project No.	2018	Doc. No. Revision Index Project No.	1 of 1