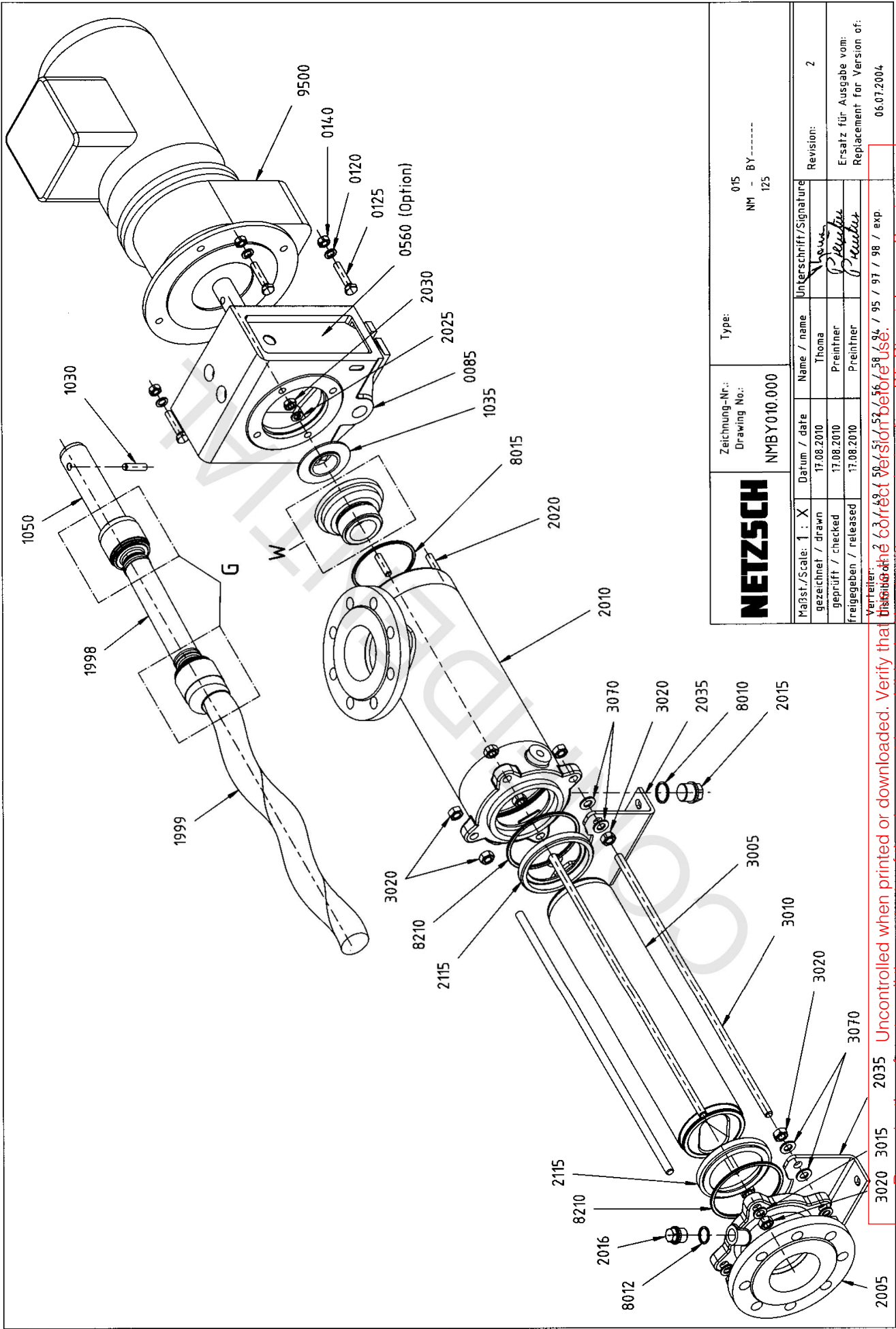


Section 05 Screw Pump Instruction

Screw Pump List

NO.	KKS Code	Equipment Name	Qty.	Specification	Pump Model	Motor Power	Remark
1	00GMD41AP011 00GMD41AP012	Sludge pump A/B	2	Q=8m <sup>3</sup> /h, P=3.0bar	NM038BY01L06B	2.2KW	
2	00GMN10AP001 00GMN10AP002	Dehydrator polymer dosing pump A/B	2	Q=1000L/h, P=4.0bar	NM021BY01L06B	075KW	



<b>NETZSCH</b>		Zeichnung-Nr.: Drawing No.: <b>NMBY 010.000</b>		Type: <b>015 NM - BY-----</b> <b>125</b>	
Maßst./Scale: 1 : X	Datum / date	Name / name	Unterschrift/Signature		
gezeichnet / drawn	17.08.2010	Thoma	<i>Thoma</i>		
geprüft / checked	17.08.2010	Preitner	<i>Preitner</i>		
freigegeben / released	17.08.2010	Preitner	<i>Preitner</i>		

Revision: <b>2</b>	
Ersatz für Ausgabe vom: Replacement for Version of: <b>06.07.2004</b>	

Verteiler:  
3.49 58.51/52/56/58/94 / 95 / 97 / 98 / exp  
Reproduction of part or all the contents of the document is prohibited without written permission from P.T. Bhumi Jeparo Service

PumpType: NM038BY01L06B

POS.	Qty	Unit	Description	ItemID
0085	1.00	PC	lantern w. support / 直联支架	5066507
0120	4.00	PC	spring washer / 弹簧垫圈	5046637
0125	4.00	PC	hex head screw / 六角头螺钉	500270
0140	4.00	PC	hex nut / 六角螺母	501061
1020	1.00	PC	machine number plate / 标识牌	892897
1030	1.00	PC	pin / 销	5067631
1035	1.00	PC	safety sleeve / 橡胶挡套	5066417
1050	1.00	PC	connecting shaft-B w. APZ. 3.1 / 延长轴	8019863
1998	1.00	PC	coupling rod-B/SM w. APZ. 3.1 / 连轴杆	5072497
1999	1.00	PC	rotor B / 转子	8019870
2005	1.00	PC	end connection / 排出体	957826
2010	1.00	PC	pump housing / 吸入室	949388
2020	4.00	PC	stud screw / 双头螺柱	595541
2025	4.00	PC	spring washer / 弹簧垫圈	5046637
2030	4.00	PC	hex nut / 六角螺母	501061
2035	1.00	PC	support / 支脚	955128
3005	1.00	PC	Stator (non food quality) f. STP-2 / 定子	5181317
3010	4.00	PC	stator bolt M10 / 拉杆	955692
3015	4.00	PC	spring washer / 弹簧垫圈	5046637
3020	6.00	PC	hex nut / 六角螺母	501061
3070	4.00	PC	washer / 垫圈	593690
4710	1.00	PC	connection head STP complete / 连接部分	5050717
5065	2.00	PC	snap ring / 弹性挡圈	5075151
5075	2.00	PC	joint pin / 销子	865876
5115	2.00	PC	safety sleeve / 销子护套	878258
5425	2.00	PC	clamp ring f. SM-seal / 紧箍圈	879911
5990	0.03	L	mineral oil CLP460 / 润滑油	691230
7005	1.00	PC	mechanical seal housing / 机械密封腔	5075152
7010	1.00	PC	mechanical seal / 机械密封	6210685
7020	1.00	PC	pin / 销	594524
8015	1.00	PC	O-ring / O型密封圈	516528
8060	4.00	PC	O-ring / O型密封圈	516555
8235	2.00	PC	SM-pin joint seal / SM#-骨架橡胶防护套	877620
9000	1.00	PC	base plate / 底座	8023842
9500	1.00	PC	3-phase motor / 电机	8023844
9510	1.00	PC	helical gear box / 减速机	6206243
9710	2.00	PC	hex head screw / 六角头螺钉	500276
9712	2.00	PC	spring washer / 弹簧垫圈	502104
9715	2.00	PC	washer / 垫圈	502003
9720	2.00	PC	hex head screw / 六角头螺钉	500278
9722	2.00	PC	Spring washer / 弹簧垫圈	5046667
9725	2.00	PC	Disk / 垫圈	6215379
9900	1.00	PC	Type label w. logo a. arrow / 铭牌	6077500