

Section 03 SWRO High Pressure Pump Instruction

SWRO High Pressure Pump List

NO.	KKS Code	Equipment Name	Qty.	Specification	Pump Model	Motor Power	Remark
1	00GFA10AP011 00GFA11AP011 00GFA12AP011	SWRO high pressure pump A/B/C	3	Q=423m ³ /h, P=39bar	FEDCO-MSD-40005	630KW 2P	



MSD™ Series

Item	Part Description	BDK Balance Disc Kit	MSK Mechanical Seal Kit	MSK HP Mechanical Seal Kit HPSC	SBK Stage Bushing Kit	DFK Diffuser Kit	IMK Impeller Kit	SHT Shaft Kit	POK Pump O-Ring Kit	SOK Stage O-Ring Kit	FCK Flex Coupling Kit	ALK Alignment Kit
1	Shipping plug *											
2	Socket head cap crews *											
3	Mechanical seal cartridge *											
4	Mechanical seal O-Ring	X	X	X					X			
5	Mechanical seal		X	X								
6	Shaft washer		X	X								
7	Mechanical seal retaining ring		X	X								
8	Wear ring O-Ring				X					X		
9	Wear ring anti-roll pin				X							
10	Wear ring				X							
11	Wear ring retaining ring				X							
12	Impeller keys						X					
13	Impeller set screw						X					
14	Impeller						X					
15	Set screw retaining ring						X					
16	Stage bushing anti-roll pin				X							
17	Stage bushing				X							
18	Stage bushing O-Ring				X					X		
19	Stage bushing retaining ring				X							
20	Bearing holder *											
21	Bearing holder O-Ring	X							X			
22	Balance disc washer	X										
23	Balance disc key	X										
24	Shaft O-ring	X							X			
25	Balance disc	X										
26	Balance disc nut							X				
27	Balance disc nut set screws *											
28	Pump shaft							X				
29	Shaft key							X			X	
30	Assembled flex coupling							X			X	
31	Diffuser/ inlet O-Ring	X			X				X			
32	Diffuser bowl					X						
33	SS shim set											X
34	Alignment pins											X
35	HP shaft bushing/ mechanical seal cartridge O-ring			X								
36	HP shaft bushing			X								
37	HP shaft bushing anti-roll pin*											

* Not Included in any kit. Can be purchased separately.

Uncontrolled when printed or downloaded. Verify that this is the correct version before use.

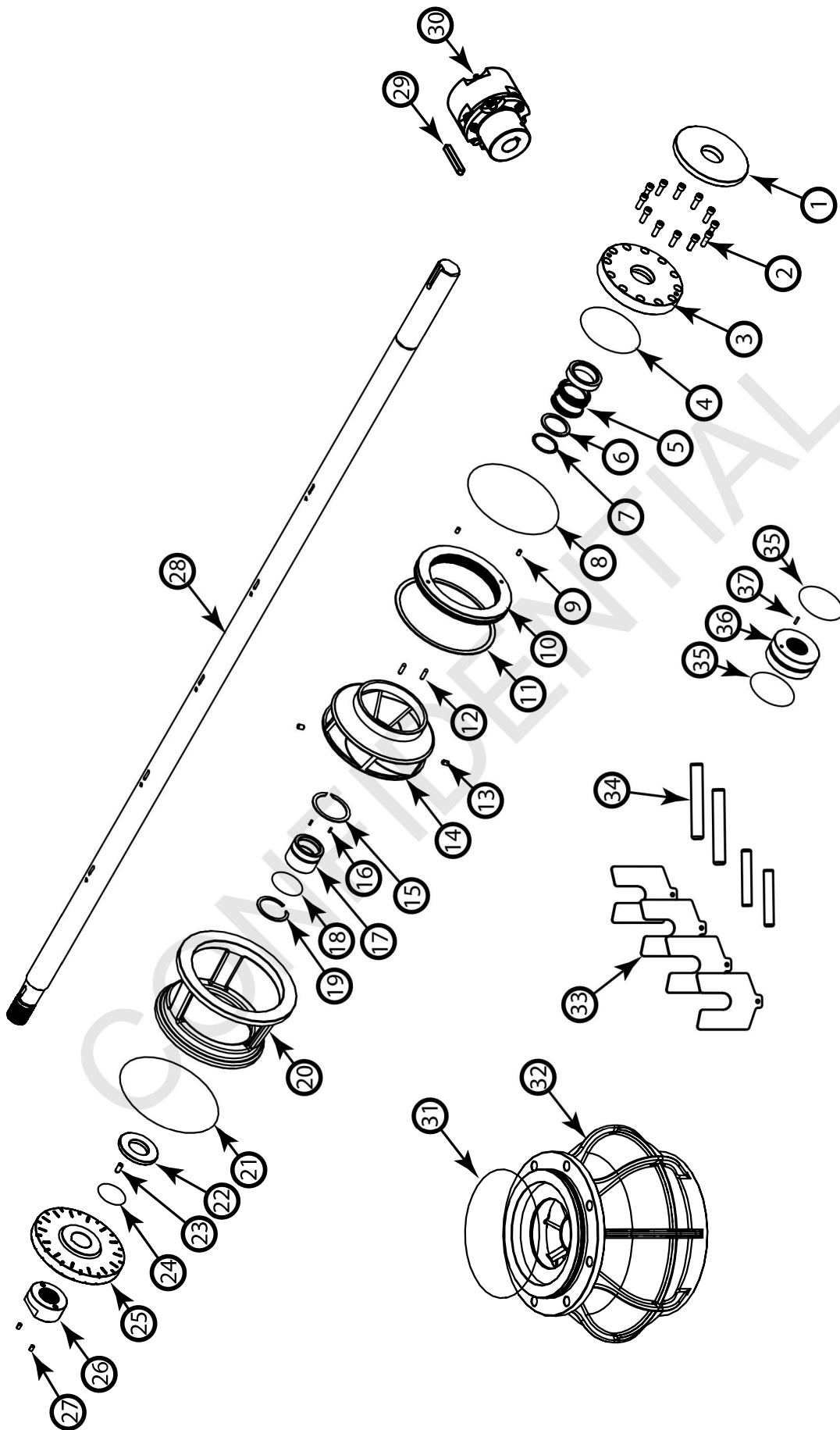


Figure 82 - Service Parts Kits Components

Uncontrolled when printed or downloaded. Verify that this is the correct version before use.