

第 1 章 设备描述

First chapter description of equipment

WFB-泵为立式单吸自吸泵，运用气液分离原理，排除管路的空气产生自吸，进水管路装有真空电磁阀，避免停机时产生虹吸现象，确保自吸泵腔内介质储量，供下次起泵时自吸正常运行，真正做到一次引流，终身自吸的效果。该泵适合输送：清洁或者有污染、低温或高温液体、中性或有腐蚀性液体。

The WFB pump is a vertical single suction self-priming pump. By using the principle of gas-liquid separation, the air in the pipe is excluded from self-priming, and the inlet pipe is equipped with a vacuum solenoid valve to avoid siphoning when stopping, and to ensure the medium reserves in the cavity of the self-priming pump. The pump is suitable for transportation: clean or polluted, low temperature or high temperature liquid, neutral or corrosive liquid.

1.1 一般数据

1.1 General data

1.1.1 运行特性

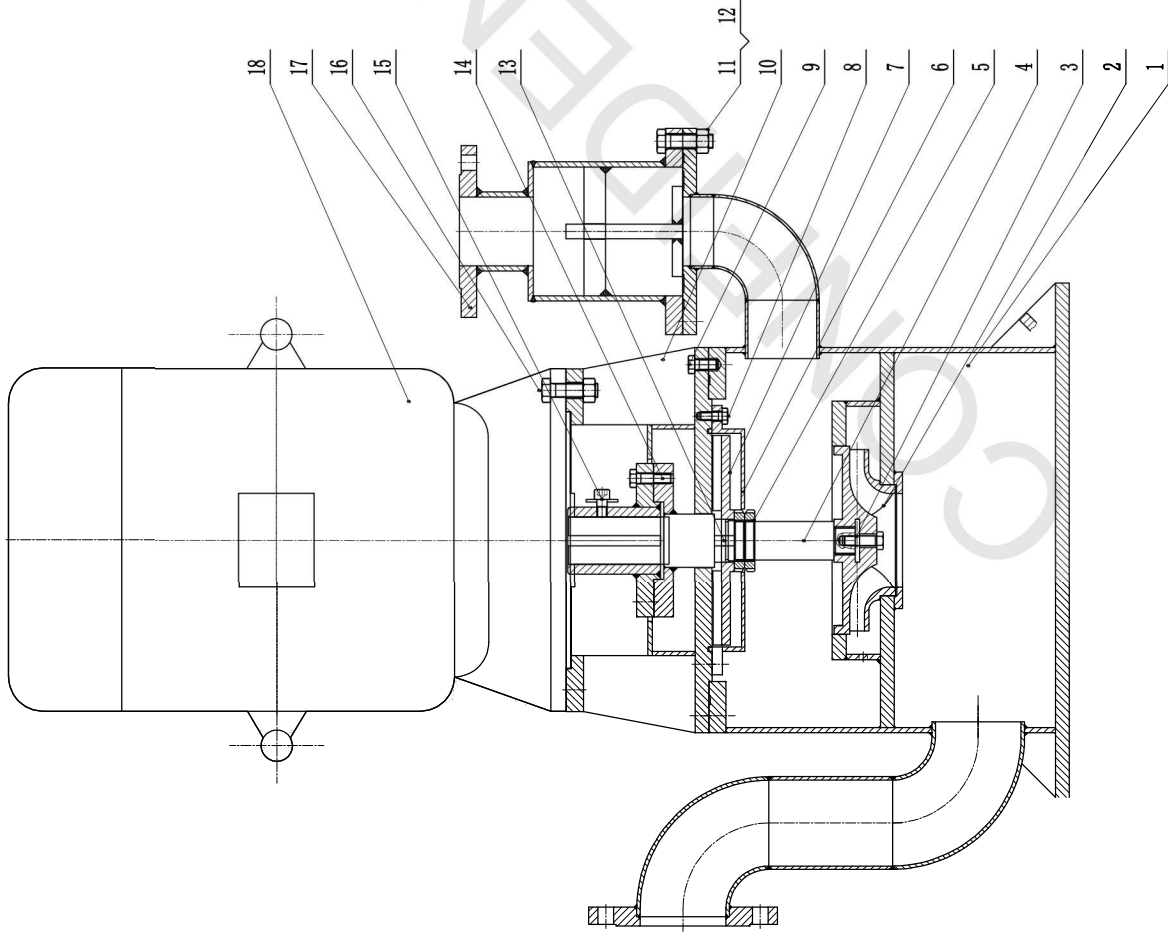
1.1.1 operational characteristics

正常状态下泵主要功能特征见表 1-1

The main functional features of the pump under normal conditions are shown in Table 1-1

NO.	KKS Code	Equipment Name	Qty.	Specification	Pump Model	Motor Power
1	00GBB10AP001/002/003/004	Seawater supply pump A/B/C/D	4	Q=310m ³ /h, P=2.5bar	200WFB-AD	55KW 4P
2	00GME41AP001/002	SWRO reject discharge pump A/B	2	Q=550m ³ /h, P=3.0bar	250WFB-A	90KW 4P
3	00GMC41AP011/012	Chemical wastewater transfer pump A/B	2	Q=100m ³ /h, P=4.0bar	100WFB-C-2	37KW 2P
4	00GMD41AP001/002	Slurry pump A/B	2	Q=40m ³ /h, P=2.5bar	80WFB-A	11KW 2P

1.2 详细说明:



No.	Code	Name	Quantity	Material	Weight	Remark
18		90KW-4#	1			
17		止回阀 (check valve)	1	25073		
16	GB/T5781-2000	六角头螺栓 (Hexagon bolt)-C级 M6×60	8	钢		
15	GB/T 9074.1-2002	内六角螺栓 (Inner Hexagon bolt) M10×25	3	钢		
14	GB/T5781-2000	六角头螺栓 (Hexagon bolt)-C级 M6×40	6	钢		
13		平键 (Flat key) 12 长12	1	25073		
12		六角螺母 (Hexagon nut) M20	8	钢		
11	GB/T5781-2000	六角头螺栓 (Hexagon bolt)-C级 M10×60	8	钢		
10	250WFB-A	电动机 (motor seat)	1	2507/Q235		
9	GB/T5781-2000	六角头螺栓 (Hexagon bolt)-C级 M6×35	12	钢		
8	GB/T5781-2000	六角头螺栓 (Hexagon bolt)-C级 M10×25	4	25073		
7	250WFB-A	付叶轮 (auxiliary impeller)	1	25073		
6	250WFB-A	密封堵 (seal chamber)	1	25073		
5		圆螺母 (round cap)	2	25073		
4	250WFB-A	轴 (shaft)	1	25073		
3	GB/T5781-2000	六角头螺栓-C级 M20×50	1	25073		
2	250WFB-A	叶轮 (impeller)	1	25073		
1	250WFB-A	泵体 (casong)	1	25073		

图例	用
件号	已
日期	号
姓名	明
日期	日
日期	月
日期	年

修改日期

装配图

江苏海澜泵业制造有限公司

250WFB-A

Uncontrolled when printed or downloaded. Verify that this is the correct version before use.
 Reproduction of part or all the contents of the document is prohibited without written permission from P.T. Bhumi Separa Service