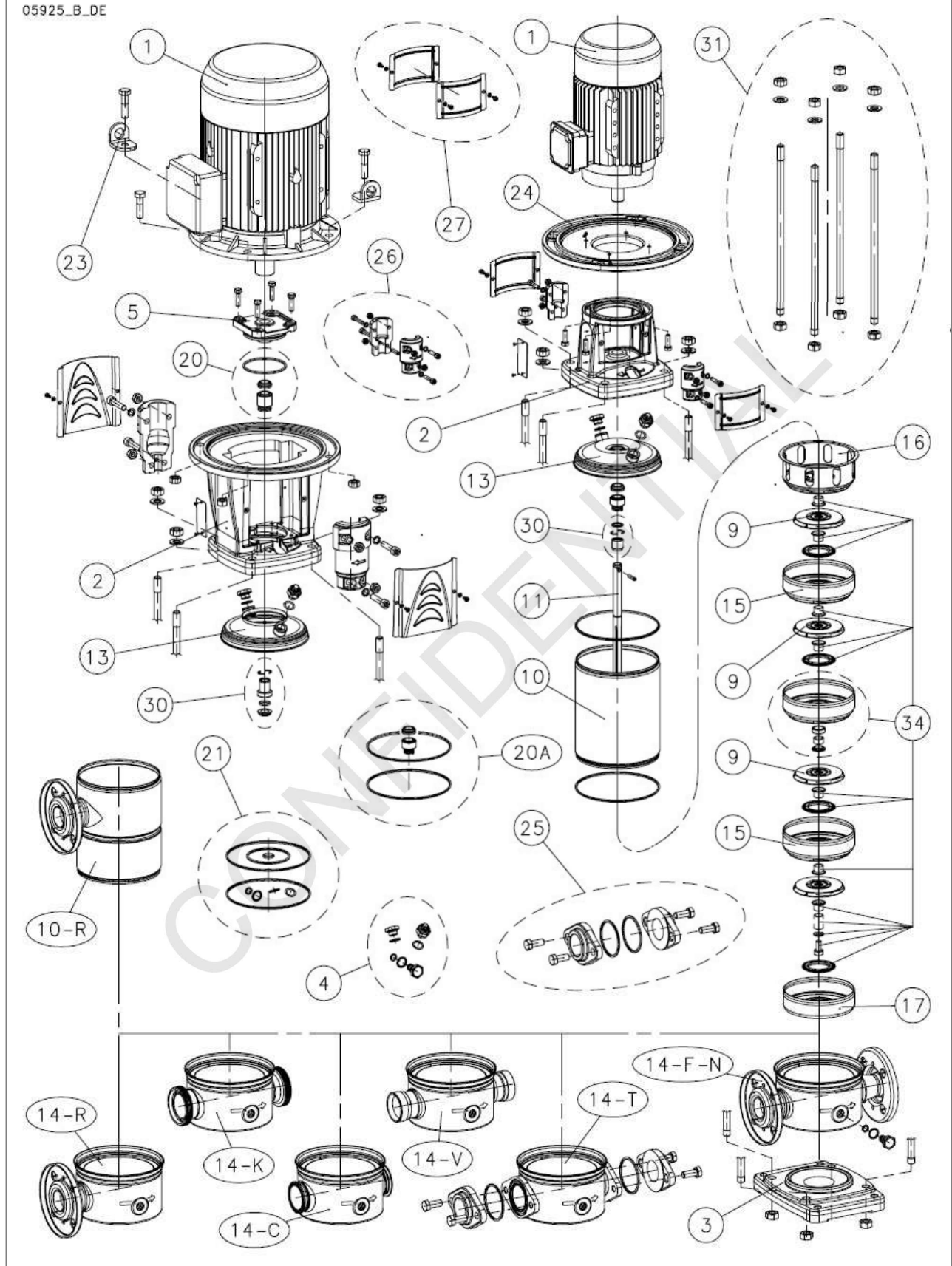




Spare parts for 1016L1481 - **15SV09F075T

ELP 40/69



Number	Part code	Part description	Quantity	Recommended	Special	Description of special
1	50A17VB00	Complete motor	1	0		
2	161470860	Adapter	1	0		
3	161431350	Base	1	0		
4	KL34AAT	Kit plugs	1	0		
4	KL34AAM	Kit plugs	1	0	Standard option	FEP - Fluorinated ethylene propylene
4	KL34AAL	Kit plugs	1	0	Standard option	FPM
5	160103710	Seal housing disc	1	0		
9	150703640	Impeller	1	0		
10	166444170	Sleeve	1	0		
11	165051170B	Shaft	1	0		
13	150102960	Disk	1	0		
14	151302600	Pump casing	1	0		
15	152803150	Diffuser	1	0		
16	152803050	Final diffuser	1	0		
17	152802950	Initial stage	1	0		
20	KL01AD7	Kit mechanical seal	1	0		
20	KL01AD2	Kit mechanical seal	1	0	Standard option	QBV - Silicon carbide, Carbon, FPM
20	KL01AD9	Kit mechanical seal	1	0	Standard option	QCT - Silicon carbide, Carbon Special, Teflon
20	KL01AD3	Kit mechanical seal	1	0	Standard option	QQE - Silicon carbide, Silicon carbide, EPDM
20	KL01AEA	Kit mechanical seal	1	0	Standard option	QQT - Silicon carbide, Silicon carbide, Teflon
20	KL01AD4	Kit mechanical seal	1	0	Standard option	QQV - Silicon carbide, Silicon carbide, FPM
21	KL02AA4	Kit OR	1	0		
21	KL02AA6	Kit OR	1	0	Standard option	FEP - Fluorinated ethylene propylene
21	KL02AA5	Kit OR	1	0	Standard option	FPM
23	161441050	Lifting bracket	1	0		
26	KL10ABZ	Kit coupling	1	0		
27	KL33AAU	Kit coupling protection	1	0		
30	KL41AA1	Kit bush	1	0		
31	KL22ANH	Kit tie rods	1	0		
34	KL35AEV	Kit wearing parts	1	0		