

Rev.E

Additional Installation, Operation and
Maintenance Instructions



e-SV Series

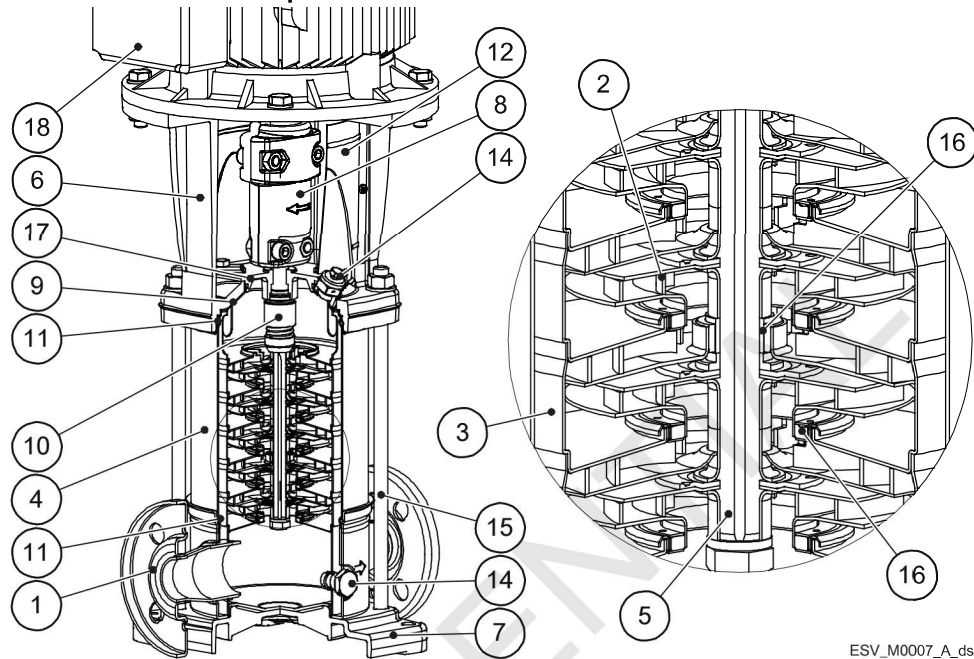
Multistage Vertical Pump / Pump Unit

 **LOWARA**
a xylem brand

Marks of safety approval

For products with a mark of electrical-related safety approval such as IMQ, TUV, IRAM, etc., the approval refers exclusively to the pump unit.

3.4 Names of the main components



Position number	Description	Position number	Description
1	Pump body	10	Mechanical seal
2	Impeller	11	Elastomers
3	Diffuser	12	Coupling protection
4	Outer sleeve	13	Shaft sleeve and bush
5	Shaft	14	Fill and drain plug
6	Motor adapter	15	Tie rod
7	Base plinth	16	Wear ring
8	Coupling	17	Seal housing
9	Disk	18	Motor