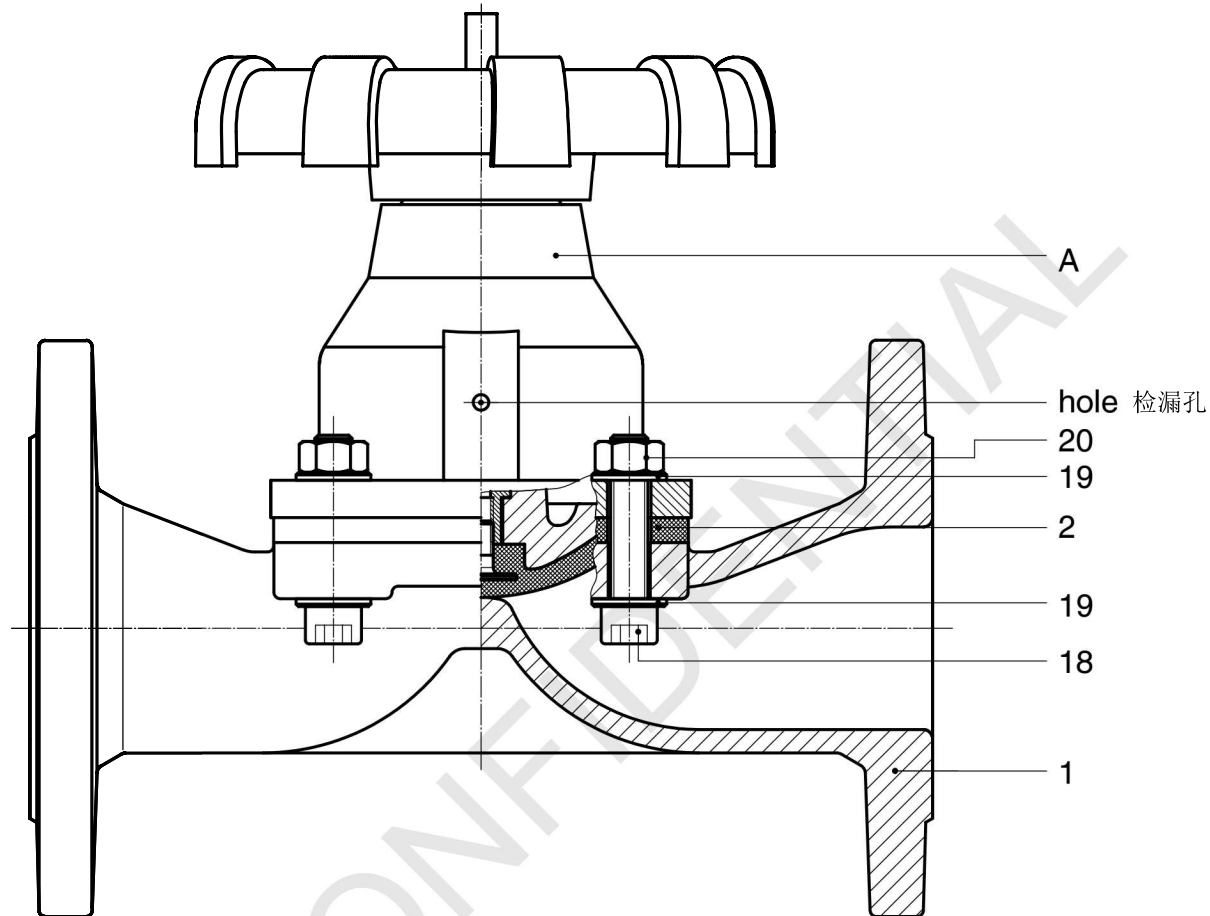


15 Sectional drawing and spare parts 15 剖面图和零件

15.1 Type 675 15.1 675型



Item 序号	Name 名称	Order description 描述
1	Valve body 阀体	K600... (DN 15-50)
		K620... (from DN 65)
2	Diaphragm 阀体膜片	600...M... (DN 15-50)
		620...M... (from DN 65)
18	Bolt 螺栓	} 675...S30...
19	Washer 垫片	
20	Nut 螺母	
A	Bonnet 执行机构	9675...