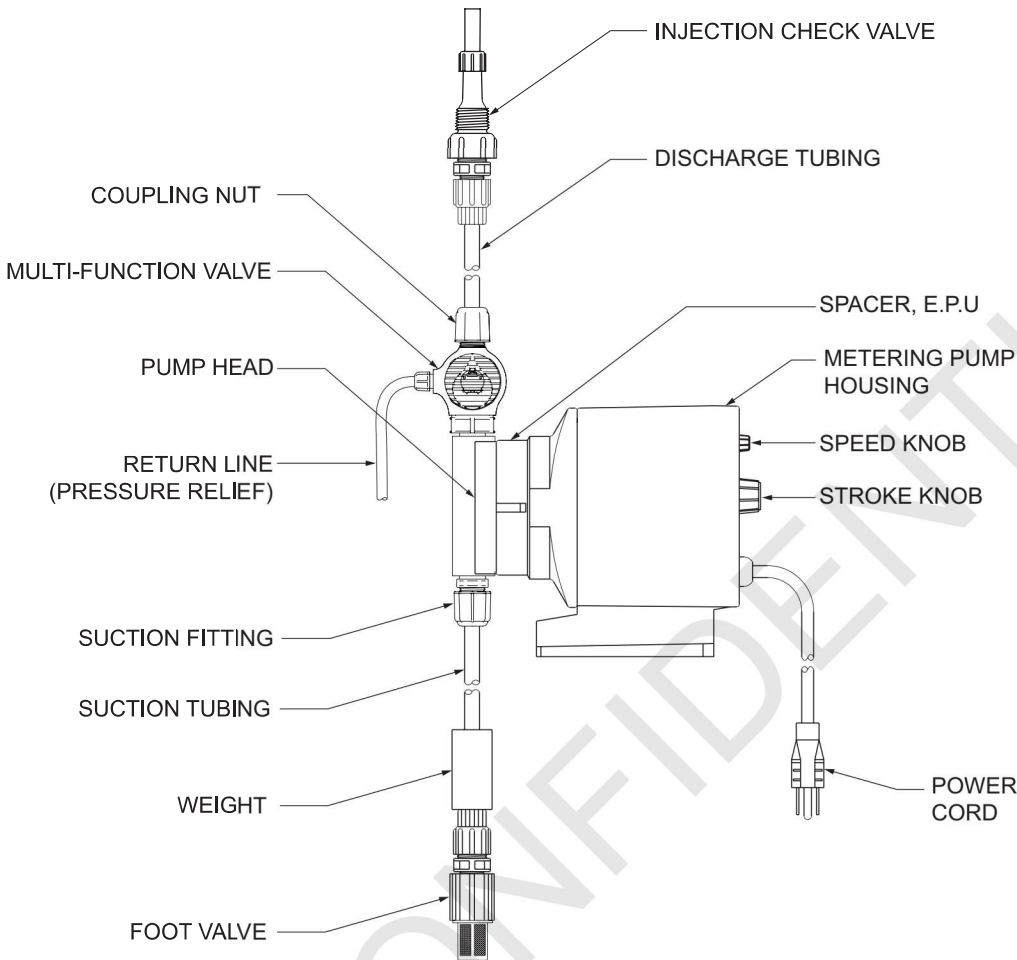


NO.	KKS Code	Equipment Name	Qty.	Specification	Pump Model	Motor Power	Remark
9	00GFP40AP001 00GFP40AP002	Biocide feed pump A/B	2	Q=50L/h, P=10bar	GM0050P	0.25kW	Attachment 01
10	00GBN40AP001 00GBN40AP002	UF EFM/CIP acid dosing pump A/B	2	Q=583L/h, P=7bar	GB0600P	0.55kW	Attachment 02
11	00GBN40AP021 00GBN40AP022	Acid dosing pump A/B for neutralization	2	Q=115L/h, P=7bar	GM0120P	0.25kW	Attachment 01
12	00GFP50AP001 00GFP50AP002	BWRO caustic dosing pump A/B	2	Q=3.8L/h, P=7.8bar	P756-297	22W	Attachment 03
13	00GFP30AP001 00GFP30AP002	Service water caustic dosing pump A/B	2	Q=85L/h, P=7bar	GM0090S	0.25kW	Attachment 01
14	00GBN50AP001 00GBN50AP002	UF CIP caustic dosing pump A /B	2	Q=583L/h, P=7bar	GB0600S	0.55kW	Attachment 02
15	00GBN40AP022 00GBN40AP023	Caustic dosing pump A/B for neutralization	2	Q=115L/h, P=7bar	GM0120S	0.25kW	Attachment 01



Metering Pump Component Diagram

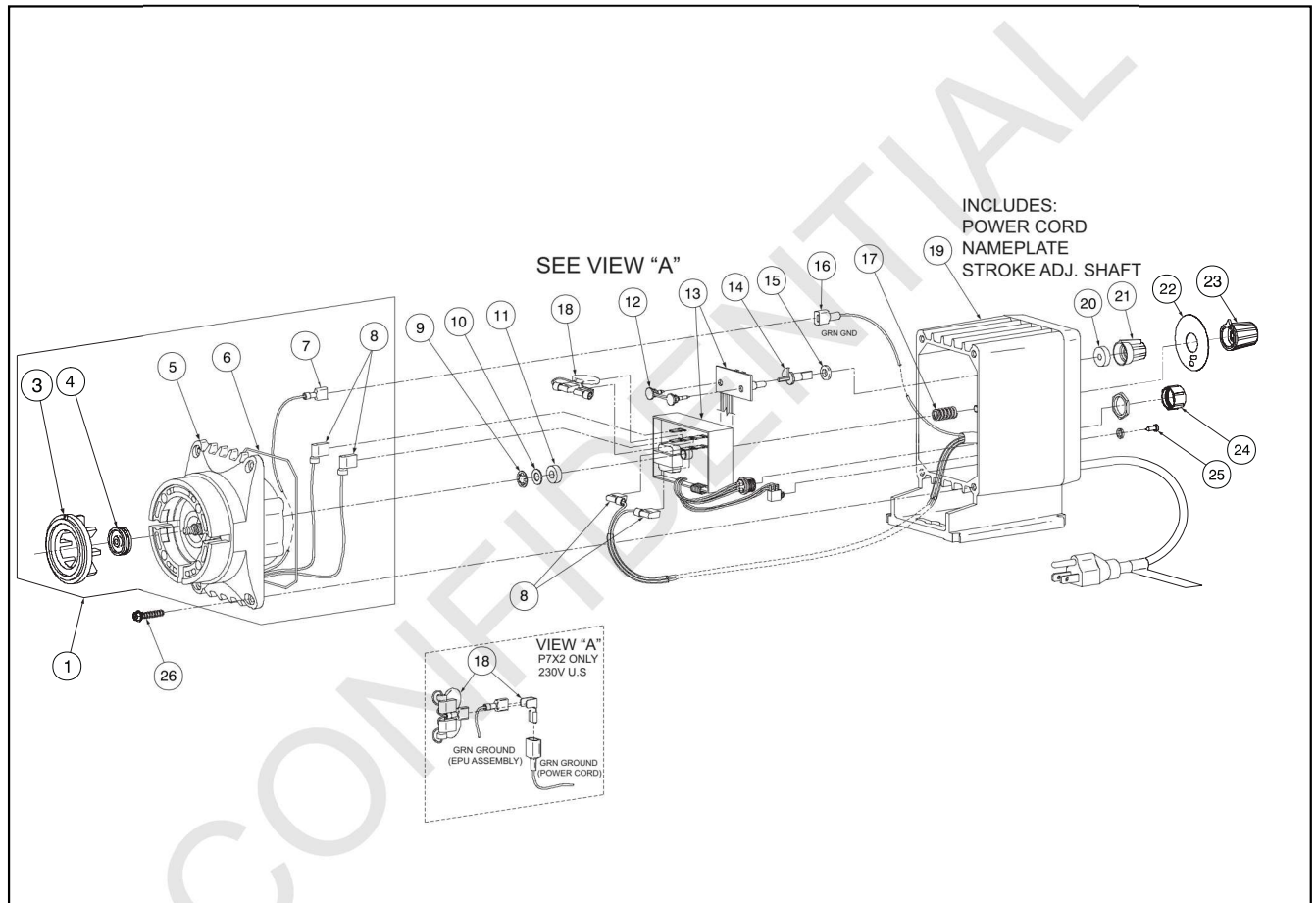
Series P7 Electronic Metering Pump Instruction Supplement

Manual No : 1945
Rev. : D
Rev. Date : 10/2015



Uncontrolled when printed or downloaded. Verify that this is the correct version before use.
Reproduction of part or all the contents of the document is prohibited without written permission from PT. Bhumi Jepara Service

SERIES P7 DRIVE ASSEMBLY EXPLODED VIEW DIAGRAM



SERIES P7 DRIVE ASSEMBLY PARTS LIST

Key Number	Model Series	Part Number	Description	Qty
1	P741	30240	EPU WITH DISK 0.5	1
	P742, P743, P745, P746, P747	30241	EPU WITH DISK 0.5	
	P751	30242	EPU WITH DISK 0.9	
	P752, P753, P755, P756, P757	30243	EPU WITH DISK 0.9	
	P761	33338	EPU WITH DISK 1.8	
	P762, P763, P765, P766, P767	31781	EPU WITH DISK 1.8	
3	P74	29445	DISK 0.5	1
	P75	29437	DISK 0.9	
	P76	29442	DISK 1.8	
4	P7	10973	SEAL	1
5	P741, P751	30154	EPU	1
	P742, P743, P745, P746, P747, P752, P753, P755, P756, P757	30155		
	P761	31862		
	P762, P763, P765, P766, P767	31131		
6	P7	10166	O-RING	1
7	P7	10182-1	WIRE TERMINAL (FEMALE)	1
8	P7	25070-1	WIRE TERMINAL (FLAG)	4
9	P7	10422	RETAINING RING	1
10	P7	25963	WASHER, NYLON	1
11	P7	30391	WASHER, RUBBER	1
12	P7	35744	DUAL PIN	1
13	P741, P751, P761	37823	PULSER, 115V	1
	P742, P752, P762, P743, P753, P763, P745, P755, P765, P746, P756, P766, P747, P757, P767	37824	PULSER, 230V	1

SERIES P7 DRIVE ASSEMBLY PARTS LIST

Key Number	Model Series	Part Number	Description	Qty
14	P7	35743	SPEED SHAFT	1
15	P7	34497	O-RING	1
16	P7	10368-1	WIRE TERMINAL (MALE)	1
17	P7	25414	SPRING	1
18	P741, P751, P761	33448	VARISTOR ASSEMBLY, 115V	1
	P742, P752, P762	31255	VARISTOR ASSEMBLY, 230V US	
	P743, P753, P763, P745, P755, P765, P746, P756, P766, P747, P757, P767	33449	VARISTOR ASSEMBLY, 230-250V	
19	P741, P751, P761	38429	HOUSING ASSEMBLY, 115V	1
	P742, P752, P762	38430	HOUSING ASSEMBLY, 230V US	
	P743, P753, P763	38431	HOUSING ASSEMBLY, 230V DIN	
	P745, P755, P765	38432	HOUSING ASSEMBLY, 240V UK	
	P746, P756, P766	38433	HOUSING ASSEMBLY, 250V AUST	
	P747, P757, P767	38434	HOUSING ASSEMBLY, 230V SWISS	
20	P7	30803	GASKET	1
21	P7	30709	STROKE KNOB	1
22	P76	31127	STROKE DIAL	1
23	P7	31891	STROKE KNOB	1
24	P7	25930	CAP	1
25	P7	30307	PLUG	1
26	P7	30306	SCREW	4