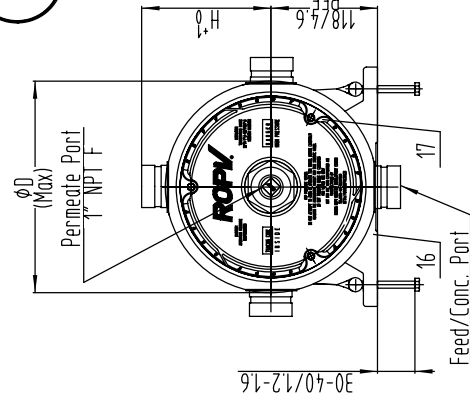
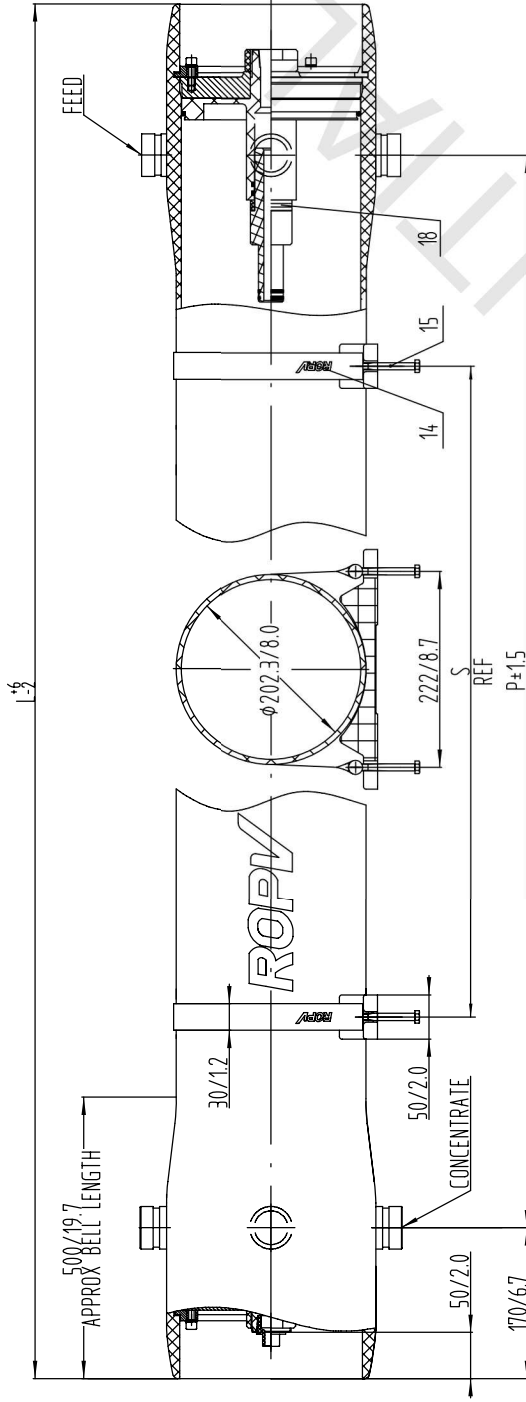
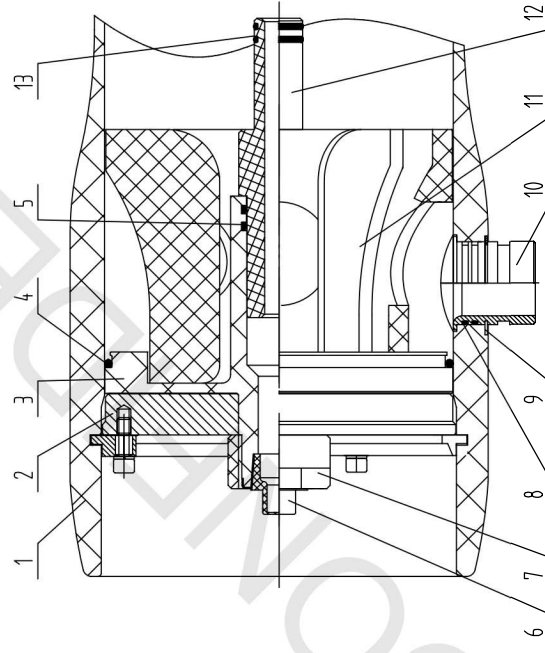


300
PSI



F/C PORT	DIMM (IN)	HMM (IN)
1.5" (DN40)	244/9.6	148/5.8
2" (DN50)	248/9.7	148/5.8
2.5" (DN65)	258/10.1	153/6.0

- DESIGN PRESSURE 300PSI(2.MPa).
- DESIGN TEMPERATURE 150°F(66°C).
- MIN ALLOWABLE TEMPERATURE 20°F(-7°C).
- WORKING MEDIUM WATER PH RANGE 3-11.
- DIMENSIONS IN MM(INCHES APPROX).
- INTERNAL PERMEATE PRESSURE NOT TO EXCEED 125PSI(0.86Mpa).
- THE QUANTITY OF ITEM NO.8, 9 AND 10 DEPEND ON THE FEED/CONC. PORTS CONFIGURATION.
- ITEM 11 CONCENTRATE SIDE ONLY.
- ITEM 18 FEED SIDE ONLY.
- PLEASE OPERATE IN ACCORDANCE WITH USER MANUAL.
- FOR REFERENCE ONLY NOT FOR CONSTRUCTION UNLESS CERTIFIED.
- SPARE PARTS FORM JUST FOR REFERENCE SPECIFIC FORM OF THE SPARE PART DRAWING PREVAIL SUBJECT TO CHANGE WITHOUT NOTICE.
- ALL PARTS CAN BE RECYCLED EXCEPT FRP SHELL.



Shell length code	Shell number	L L.O.A MM/IN	P Port to port MM/IN	S Spun MM/IN	Approx assembly weight (1.5" Feed/Conc. Port) KG/LB
1	S8012.1	1534/60.4	1194/47	500/19.7	32/71
2	S8012.2	2550/100.4	2210/87	1455/57.3	391/86
3	S8012.3	3566/140.4	3226/127	2064/81.3	46/101
4	S8012.4	4582/180.4	4242/167	1600/63x2	53/117
5	S8012.5	5598/220.4	5258/207	2000/78.7x2	60/132
6	S8012.6	6614/260.4	6274/247	2358/92.8x2	67/148
7	S8012.7	7630/300.4	7290/287	2865/112.8x2	74/163
8	S8012.8	8646/340.4	8306/327	3373/132.8x2	81/179

DESIGN		Harbin ROPV Industry Development Center	
REVIEW	MODEL	DRG	REV
	R8040B300S	R8040B300S-00	10.2.3
APPROVAL		REVISION	

ROPV

Uncontrolled when printed or downloaded. Verify that this is the correct version before use. Reproduction of any part or all the contents of the document is prohibited without written permission from P.T. Bhumi Jebara Service

REF	PART NUMBER	DESCRIPTION	REPRODUCTION	ASME
18	A8023.1	Shim	0-3	Engineering Thermoplastic
17	A8018.4	Locking Kit Segment Assy	6	304SS including Screw and Spring Pad
16	A8016	Saddle	2-3	Rubber
15	GB/15782 M8x90	Strip Screw	4-6	304SS
14	A8014.1	Strip	2-3	304SS-Brass and Rubber
13	23.6x2.656 GB/13452.1	O-ring	4	EPDM
12	A8012.1	Adaptor	2	Engineering Thermoplastic
11	A8011.1	Thrust Ring	1	Engineering Thermoplastic
10	S8030F027	2.5" Feed/Conc. Port	2-4	316LSS
10	S8030E027	2" Feed/Conc. Port		
10	S80450027	1.5" Feed/Conc. Port		
09	A8009.1-3	Retaining Ring	2-4	304SS
08	6965x3.556 GB/13452.1	O-ring	4-8	EPDM
08	54.5x2.656 GB/13452.1	O-ring		
08	42.5x2.656 GB/13452.1	O-ring		
07	A8007	Permeate Port Locknut	2	Engineering Thermoplastic
06	A8006	Plug	1	Engineering Thermoplastic
05	36.5x3.556 GB/13452.1	O-ring	4	EPDM
04	190x5.36 GB/13452.1	O-ring	2	EPDM
03	A8003.4	Sedding Plate	2	Engineering Thermoplastic.304SS ring
02	A8002.3	Bearing Plate	2	Aluminium Alloy-Hard anodized
02	A8002.2	Bearing Plate	2	Aluminium Alloy-Hard anodized
01	S8012.1-8	Pressure Shell	1	FRP
REF	PART NUMBER	DESCRIPTION	REPRODUCTION	ASME