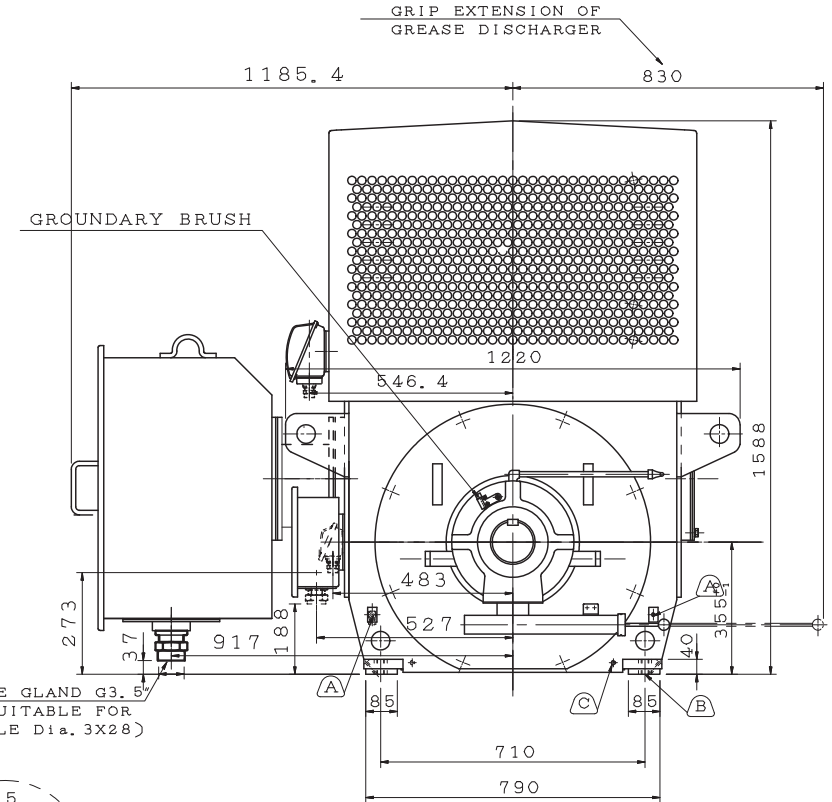
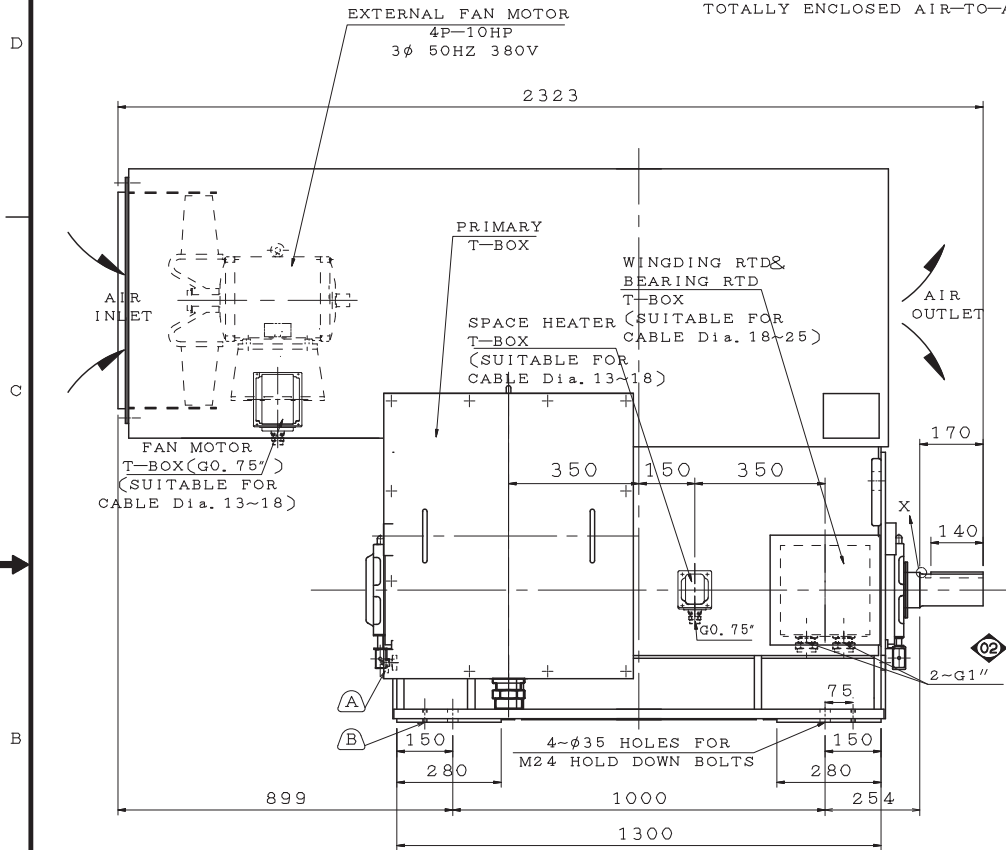


SPECIFICATION TABLE OF 3-PHASE SQUIRREL CAGE INDUCTION MOTOR		CUSTOMER		USER	
INQ. NO.		EQUIPMENT		MACHINE	
JOB NO.		AD189255B1		ITEM NO.	
TOTAL SETS		4			
Item	Terms	Description			
1	Model	AEDM-TK			
2	Code or Standard	Dimensions	Frame Assignment	Performance	Test
3	Rating	IEC	TECO	IEC	IEC
4	Service Duty	450kW/603HP 4 Pole 3000 Volt 3 Phase 50 Hz			
5	Starting Method	Continuous Rating (S1) Service Factor 1.0			
6	Rotation	V.V.V.F.(Variable Voltage Variable Frequency)			
7	Drive Method	Bi-Direction			
8	Environment	Direct Coupling			
		Amb. Temp. : -20 ~ 40 °C			
		Humidity : Less Than 90 %RH			
		Altitude : Up to 1000 M			
9	Enclosure & Protection	IP55W : Totally Enclosed			
10	Cooling	IC616			
11	Mounting	IM1001 : HS, Foot (B3)			
12	Dimensions	Dr# 3W041T868/01 Frame No : 355D			
13	Frame & Bracket	Frame : Steel Plate Bracket : Cast Iron			
14	Fan & Fan Cover	Fan :Aluminum Fan Cover :Steel Plate			
15	Terminal Box	Steel Plate			
16	Lead Terminals	(TLK35-10)X6			
17	Lubricant	Alvania RL3 Grease (SHELL Oil Co.)			
18	Painting	Color : RAL7040			
19	Stator Winding	Insulation Class : F			
20	Rotor Conductor	Cu-Alloy			
21	Starting Performance	LRC/FLC $\leq$ 550 %		LRT/FLT	70 %
22	Operating Performance	Hz/V	50/3000	Break Down Torque	220 %FLT
		%Load	100		
		Amp.	109		
		Eff. %	96.0	Temp. Rise Limit. (Resistance)	
		P.F. %	83.0	Stator	80 °C
		R.P.M.	1480	AT.S.F	1.0
23	Approximate Weight	Motor : 3000kg			
24	Note	1. Rated Torque : Tf= 295.8 kg-m 2. With Space Heater : 1φ 220V 300W 3. With Winding RTD : PT 100Ω/0°C 6pcs 4. With Bearing RTD : PT 100Ω/0°C 2pcs 5. Corrosion Proof 6. With Forced Cooling Fan 7. Opp. Drive End Bearing is Insulated 8. Drive End With Shaft Grounding Brush 9. The Motor Data is subject To Tolerances In Accordance With IEC standard. 10. Vibration : Below 1.8mm/sec(RMS) On Bearing Housing No Load Note : [*] at the end represent revised item			

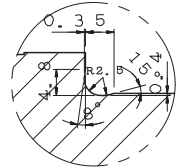
APPD.	Hu Zhou	SEP. 11 2018	DWG NO.	3W057H186-44651
CHKD.			REV.02	1/2
DWN.	XXX	SEP. 11 2018	<b>TECO ELEC. &amp; MACH. CO., LTD.</b>	

TYPE	OUTPUT		POLE	TIME RATING	VOLTAGE V	Hz	SYN. SPEED R. P. M
	HP.	kW.					
AEDM	603	450	4	CONT.	3000	50	1500

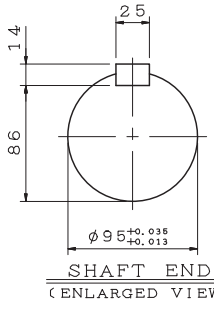
TOTALLY ENCLOSED AIR-TO-AIR COOLED TYPE SQUIRREL CAGE ROTOR



- NOTE:
- DIMENSIONS IN MM
  - FRAME NO. 355D
  - F CLASS INSULATION
  - FOR DIRECT FLEXIBLE COUPLING.
  - BEARING SIZE: DRIVE END: 6324(SKF)  
NON-DRIVE END: 6320/C3VLO241(SKF)
  - WITH SPACE HEATER: 1φ, 220V, 300W.
  - WITH WINDING R. T. D. : PT 100Ω/0°C, 6PCS.
  - WITH BEARING R. T. D. : PT 100Ω/0°C, 2PCS.
  - ENCLOSURE: IP55.
  - NOISE: BELOW 85dBA AT 1 METER DISTANCE NO LOAD.
  - VIBRATION: BELOW 1.8mm/sec(RMS) ON BEARING HOUSING NO LOAD.
  - APPROX. WEIGHT: 3000kg
- (A) FOUR M16 TAPPED GROUNDING PADS, WITH TWO GROUNDING STUD & (R240-16) TERMINAL LOCATED AS SHOWN.



ENLARGED VIEW OF X



- (B) M20 VERTICAL JACKING HOLE, ONE HOLE PER FOOT WITH JACKING BOLTS(4PCS).
- (C) TWO M10 TAPPED DRAIN HOLES, LOCATED DIAGONALLY OPPOSITE.

041, EZ355D, AEDMTK040603Y6A02, 3W041T878

<b>TECO</b>		OUTLINE DIMENSIONS	
DATE		3-PHASE INDUCTION MOTOR	
DWN. C. X. YIN JUL. 24. 18	CHKD. W. T. JIN JUL. 24. 18	DWG NO. 3W041T878	
APPD. S. SHA JUL. 24. 18	TECO Elec. & Mach. Co., Ltd.		REV: 02