

7

6

5

4

3

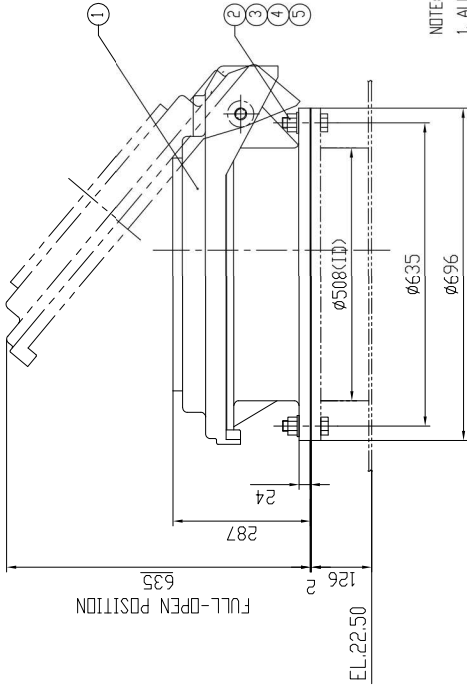
2

1

NO	CODE	DESCRIPTION	QTY	MATERIAL	WEIGHT (KG)		REMARK (KKS)
					SINGLE	TOTAL	
1	SF508-00	508 VACUUM/PRESSURE RELEASE VALVE	1	COMBINED	140	140	508T09AS00HPF01
2	GB/T5780-2000	BOLT-M22X80	20	GRADE C	0.29	5.80	
3	GB/T6170-2000	NUT-M22	20	GRADE 5.6	0.08	1.60	
4	GB95-85	WASHER-22	20	140HV	0.02	0.40	
5		SEAL GASKET	1	RUBBER			

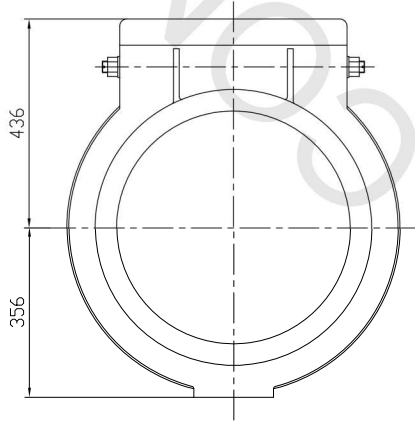
TOTAL WEIGHT: 1478 KG

INLET DIAMETER mm	STANDARD RELIEF VALUE kgf/cm ²		MAX. RELIEF VALUE kgf/cm ²	
	PRESSURE	VACUUM	PRESSURE	VACUUM
508	7.69X10 ⁻³	2.2X10 ⁻³	26.36X10 ⁻³	8.8X10 ⁻³



NOTE:

1. ALL DIMENSIONS ARE IN MM UNLESS NOTED OTHERWISE.
2. REGARDING THE LOCATION OF EQUIPMENT, PLEASE SEE THE GA DRAWINGS, TJB-56-L3-OFF-U5-ETE-M-DGA-0002, TJB-56-L3-OFF-U6-ETE-M-DGA-0003.
3. KKS CODE SHOWN IN THIS DRAWING IS APPLIED FOR UNIT 5 ONLY. WHEN THIS DRAWING IS UNSE FOR UNIT 6, THE FIRST TWO NUMBERS OF KKS CODE SHALL BE CHANGED FROM '50' TO '60'.



FOR CONSTRUCTION

A

B

C

D

USERNAME
BORDER SIZE
ACAD 10.0.7

DATE TIME
1 = 10

OWNER	PT. Bumi Jati Power				
PROJECT TITLE	TANJUNG JATI B EXPANSION (JAWA-4) COAL FIRED STEAM POWER PLANT 2 x 1,000 MW				
OWNER'S ENGINEER	PÖYRY				
EPC CONTRACTORS	Sumitomo Corporation PT. Wassa Mitra Engineering AvantiPower Japan Ltd AvantiPower Japan Ltd				
PROJECT DRAWING NO.	TJB56-L3-OFF-C-ETE-M-DGA-0709				
REV.	0				
INSTALLATION DRAWING FOR VACUUM PRESSURE RELEASE VALVE					
APPD/ENGR	ZXC	BY	YD	UNITS	VIEW
CHKD	SAM	DD/MM/YY	21/NOV/18	MM	RM/JSI
EPC LOT3 SUB-CONTRACTOR			SPEC NAME		
BLACK & VEATCH			BOTTOM ASH SILO AND EQUIPMENT		
EPC LOT3 SUB-CONTRACTOR DRAWING NO.			TJB56-0709		
WUXI HUADIAN			SHEET NO. 1 OF 1		
REV. 0			REV. 0		

1 Uncontrolled when printed for download. Verify that this is the correct version before use.
Reproduction of part or all the contents of the document is prohibited without written permission from PT. Bumi Jati Power