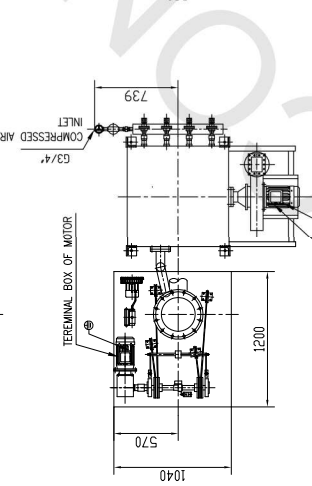
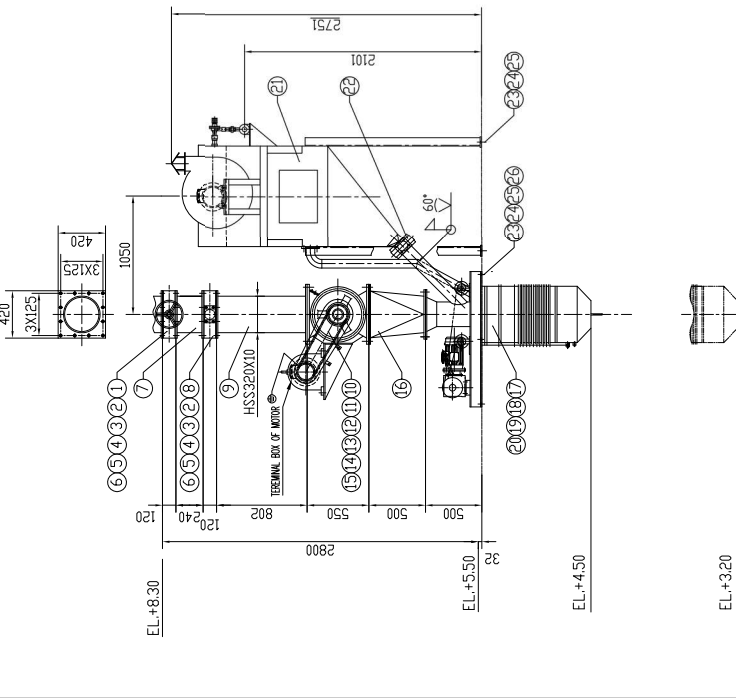
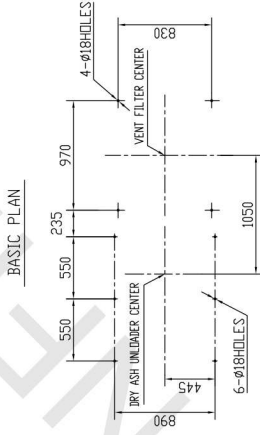


| NO | MARK DR CODE | DESCRIPTION | QTY | MATERIAL | WEIGHT (KG) SINGLE | WEIGHT (KG) TOTAL | REMARK (KKS) | NO | MARK DR CODE | DESCRIPTION | QTY | MATERIAL | WEIGHT (KG) SINGLE | WEIGHT (KG) TOTAL | REMARK (KKS) |
|------------------------|-------------------|---------------------------------|-----|----------|--------------------|-------------------|---------------------------------|----|---------------|------------------------|-----|----------|--------------------|-------------------|----------------|
| 16 | TJB56-0707-03 | ADAPTOR (3) | 1 | Q235-B | 35 | 35 | | 1 | T200X300 | MANUAL GATE VALVE | 1 | COMBINED | 45 | 45 | SOETELDAA02 |
| 17 | T32W-100 | DRY ASH UNLOADER 0-100H/H | 1 | 1250 | 1250 | 1250 | SOETELDAA01K01 | 2 | GB/15760-2000 | BOLTS-M16X45 | 48 | GRADE C | 0.04 | 1.92 | |
| 18 | GB/15760-2000 | BOLT-M16X50 | 12 | GRADE C | 0.09 | 1.08 | | 3 | GB/16170-2015 | NUTS-M16 | 48 | GRADE 6 | 0.012 | 0.58 | |
| 19 | GB/16170-2015 | NUT-M16 | 12 | GRADE 6 | 0.029 | 0.35 | | 4 | GB95-85 | WASHER-I2 | 48 | 140HV | 0.003 | 0.14 | |
| 20 | GB95-85 | WASHER-I6 | 12 | 140HV | 0.01 | 0.12 | | 5 | GB853-88 | WASHER-I2 | 48 | Q235-B | 0.017 | 0.82 | |
| 21 | DMC16-40 | VENT FILTER F=6, m ² | 1 | COMBINED | 950 | 950 | SOETELDAA01D02K10 | 6 | TJB56-0707-01 | SEAL GASKET THK 2MM | 2 | RUBBER | | | |
| 22 | 5" ANSI 150 CLASS | PNEUMATIC BUTTERFLY VALVE | 1 | COMBINED | 15 | 15 | WHI SRK ASSSEMBLIES SPELHMAN006 | 7 | T200X300 | PNEUMATIC GATE VALVE | 1 | COMBINED | 65 | 65 | SOETELDAA02 |
| 23 | GB/15760-2000 | BOLT-M16X50 | 10 | GRADE C | 0.09 | 0.9 | | 8 | T200X300 | PNEUMATIC GATE VALVE | 1 | COMBINED | 65 | 65 | SOETELDAA02 |
| 24 | GB/16170-2015 | NUT-M16 | 10 | GRADE 6 | 0.029 | 0.29 | | 9 | TJB56-0707-02 | ADAPTOR (2) | 1 | Q235-B | 96 | 96 | |
| 25 | GB93-87 | WASHER-I6 | 10 | 65Ww | 0.01 | 0.10 | | 10 | TG-100 | ROTARY FEEDER 0-100H/H | 1 | COMBINED | 450 | 450 | SOETELDAA02K01 |
| 26 | GB853-88 | WASHER-I6 | 6 | Q235-B | 0.017 | 0.10 | | 11 | GB/15760-2000 | BOLT-M16X60 | 16 | GRADE C | 0.10 | 0.16 | |
| | | | | | | | | 12 | GB/16170-2015 | NUTS-M16 | 16 | GRADE 6 | 0.029 | 0.37 | |
| | | | | | | | | 13 | GB95-85 | WASHER-I6 | 24 | 140HV | 0.01 | 0.24 | |
| | | | | | | | | 14 | GB/15760-2000 | BOLT-M16X35 | 8 | GRADE C | 0.06 | 0.48 | |
| | | | | | | | | 15 | | SEAL GASKET THK 2MM | 2 | RUBBER | | | |
| TOTAL WEIGHT: 29464 KG | | | | | | | | | | | | | | | |

TERMINAL SPECIFICATION SHEET

| TYPE | RY | ASH UNLOADER & VENT FILTER |
|----------|----------------------------|----------------------------|
| 10-100 | 100 L/H | 1500mm |
| 400/600 | TELESCOPE FLEXING DISTANCE | 1300mm |
| 600/800 | TELESCOPE LIFTING SPEED | 0.10 m/s |
| 31kw | REDUCER TYPE | SC7025X4 BOMB |
| 32 l/min | POWER | 0.75 Kw |
| | FED COMPUTATION TYPE | PRESSURE |
| | CONTROL MODE | MANUAL/AUTO |
| | FAN TYPE | 4"-FANCO30A |
| | AIR FLOW PRESSURE | 20000Pa / 8000Pa |
| | MOTOR TYPE/POWER/VOLTAJE | MOBAY T0607/3KW/AC380V |
| | STARTER/REVERSE CAPACITY | DMC-5 |
| | FILTER BAG NO. | 6 x 2 |
| | FILTER BAG | Ø130x820mm |
| | RESISTANCE PRESSURE | 1200 ~ 1500Pa |
| | AIR SPEED | 0.8m / min |
| | AIR BLOWING PRESSURE | 0.5 ~ 0.7MPa |
| | WORKING TEMPERATURE | <80°C |
| | FILTER EFFICIENCY | 99.95% |
| | AIR CONSUMPTION | ~0.25m ³ /min |
| | ELECTROMAGNETISM VALVE | 4 FCS |
| | PNEUMATIC BUTTERFLY VALVE | 5" (ANSI 150 CLASS) |



- NOTE:
- THIS INSTALLATION DRAWING IS JUST FOR THE EQUIPMENTS OF UNIT 5.
 - THIS EQUIPMENTS OF UNIT 6 WILL BE A MIRROR-IMAGE OF UNITS.
 - ALL DIMENSIONS ARE IN MM UNLESS NOTED OTHERWISE.
 - REGARDING THE LOCATION OF EQUIPMENT, PLEASE SEE THE GA & PIPING ARRANGEMENT DRAWINGS.
 - REGARDING THE LOCATION OF EQUIPMENT, PLEASE SEE THE GA & PIPING ARRANGEMENT DRAWINGS.
 - REGARDING THE LOCATION OF EQUIPMENT, PLEASE SEE THE GA & PIPING ARRANGEMENT DRAWINGS.
 - REGARDING THE LOCATION OF EQUIPMENT, PLEASE SEE THE GA & PIPING ARRANGEMENT DRAWINGS.
 - REGARDING THE LOCATION OF EQUIPMENT, PLEASE SEE THE GA & PIPING ARRANGEMENT DRAWINGS.
 - REGARDING THE LOCATION OF EQUIPMENT, PLEASE SEE THE GA & PIPING ARRANGEMENT DRAWINGS.
 - REGARDING THE LOCATION OF EQUIPMENT, PLEASE SEE THE GA & PIPING ARRANGEMENT DRAWINGS.
 - REGARDING THE LOCATION OF EQUIPMENT, PLEASE SEE THE GA & PIPING ARRANGEMENT DRAWINGS.
 - REGARDING THE LOCATION OF EQUIPMENT, PLEASE SEE THE GA & PIPING ARRANGEMENT DRAWINGS.
 - REGARDING THE LOCATION OF EQUIPMENT, PLEASE SEE THE GA & PIPING ARRANGEMENT DRAWINGS.
 - REGARDING THE LOCATION OF EQUIPMENT, PLEASE SEE THE GA & PIPING ARRANGEMENT DRAWINGS.
 - REGARDING THE LOCATION OF EQUIPMENT, PLEASE SEE THE GA & PIPING ARRANGEMENT DRAWINGS.

FOR CONSTRUCTION

Uncontrolled when printed or downloaded. Verify that this is the correct version before use. Reproduction of part or all the contents of the document is prohibited without written permission from PT. Bhumti Jeparo Service

DATE TIME
ACAD 10:27
USERNAME
BORDER SIZE
DRAWING NO. 67.0415
SPEC NO. 67.0415
EPC LOT3 SUB-CONTRACTOR
BLACK & VEATCH
BOTTOM ASH SILO AND EQUIPMENT
EPC LOT3 SUB-CONTRACTOR DRAWING NO. TJB56-0707

WUXI HUADIAN

PROJECT TITLE
TANJUNG JATI B EXPANSION (JAWA-4)
COAL FIRED STEAM POWER PLANT 2 x 1000 MW

OWNER'S ENGINEER
POYRY

EPC CONTRACTORS
Sumitomo Corporation
FT. Waas Mitra Engineering
AvantPower Japan Ltd.

PROJECT DRAWING NO.
TJB56-L3-OFF-C-EJE-M-DGA-0707

INSTALLATION DRAWING
FOR DRY ASH UNLOADER SYSTEM

OWNER
PT.Bhumti Jati Power

NO. DD/MM/YY
0 21/NOV/18

ISSUED FOR CONSTRUCTION
YD SAM XZC

REVISIONS AND RECORD OF ISSUE
BY DES/CHK/DPE/APPD