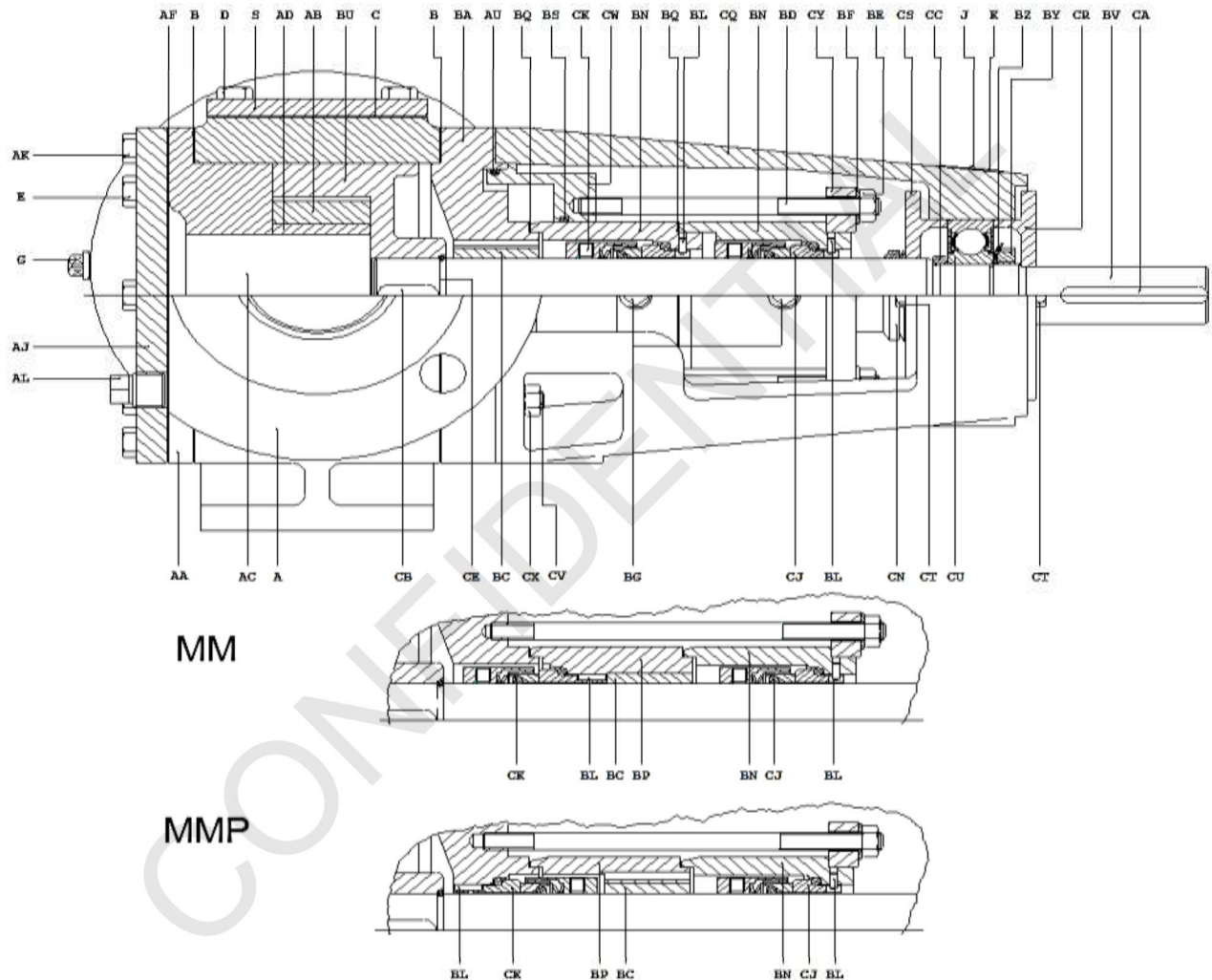


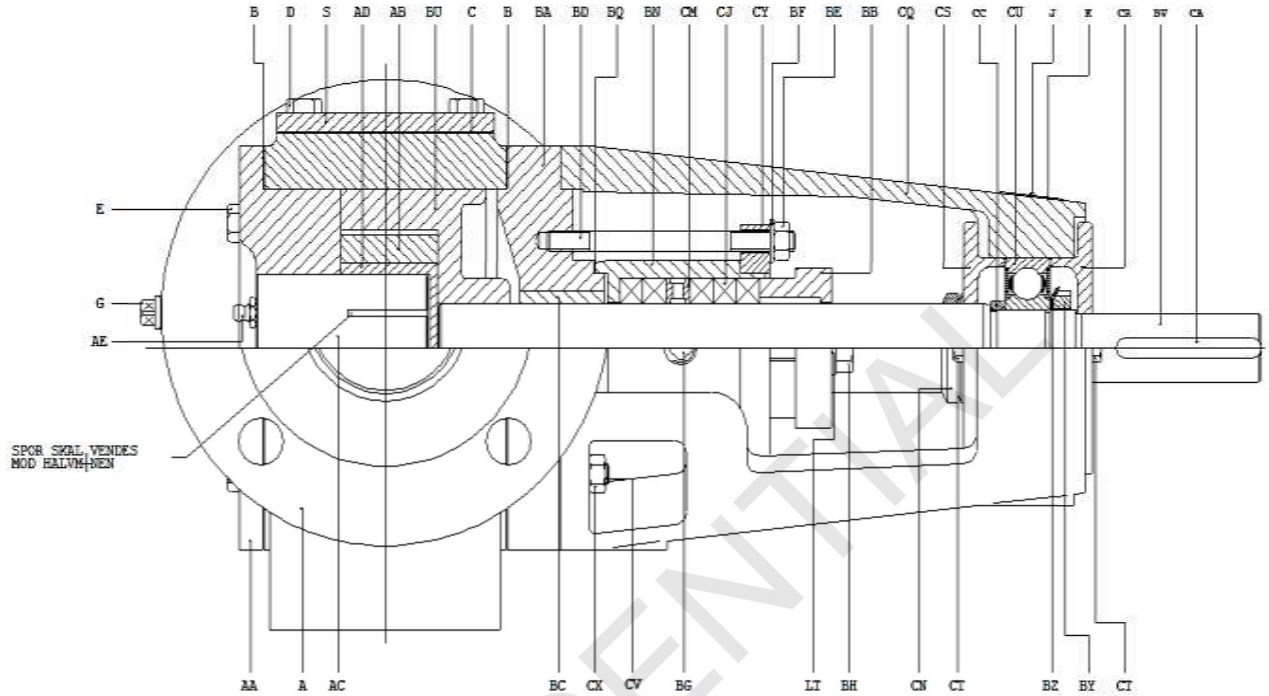
23.1 Spare parts drawings

This section contains a representative selection of ROTAN sectional drawings. Not all pump configurations are included, but taken together the drawings selected show the most common position designations and designs.

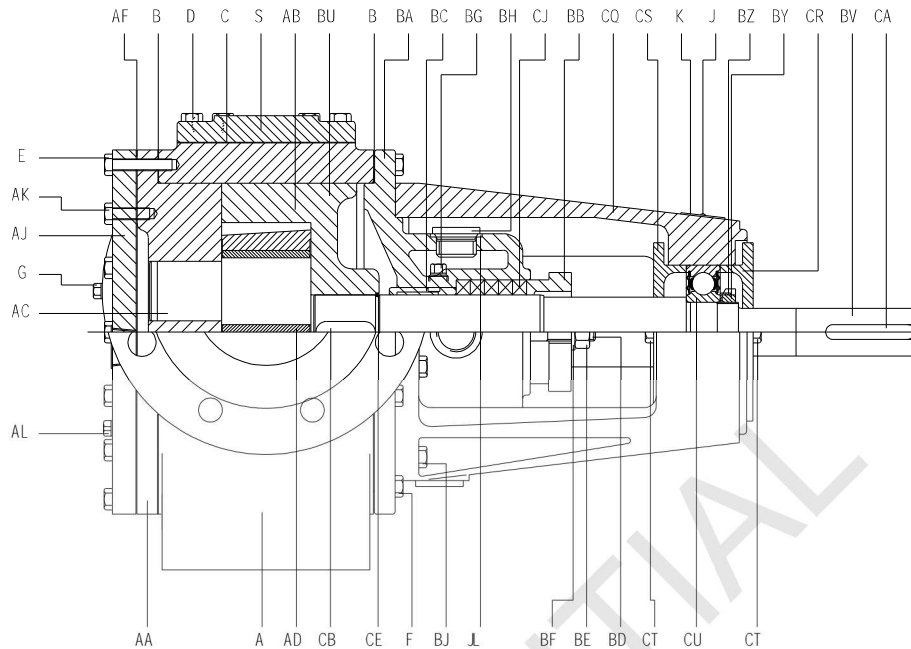
CD/PD..EFDKMMW – (CD/PD..EFMM) – (CD/PD..EFMMP)



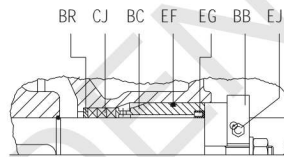
CD/PD..EF



HD..EDK
(GP..E)
(HD..ECHD)

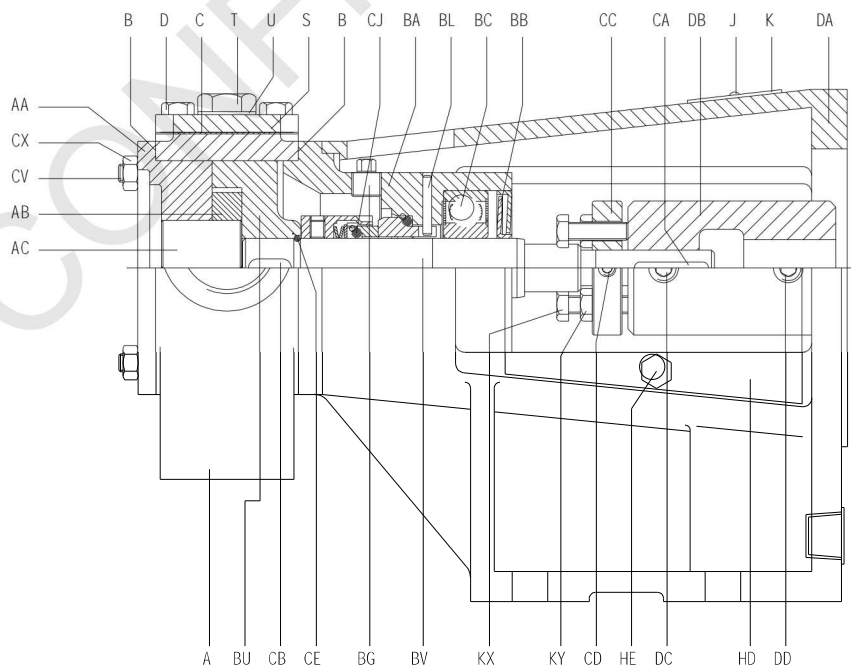


CHD

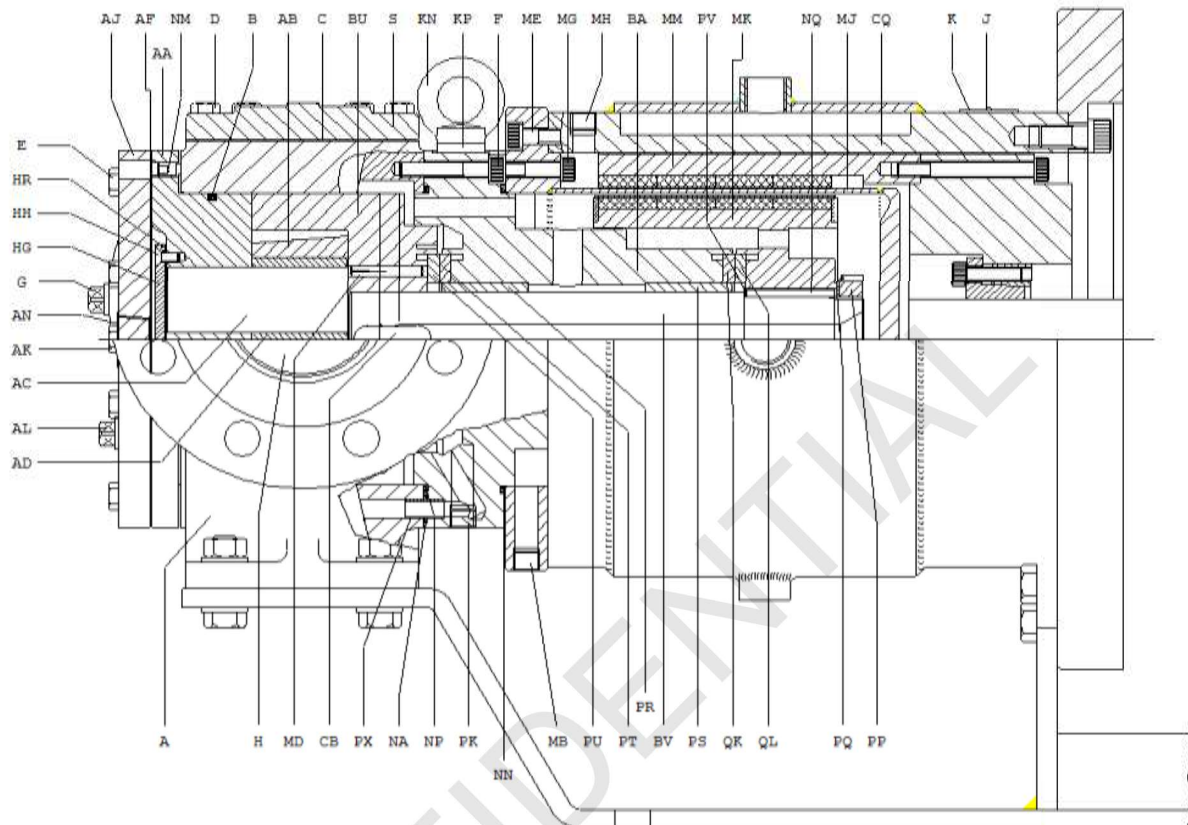


GP..EM
(HD..EM)

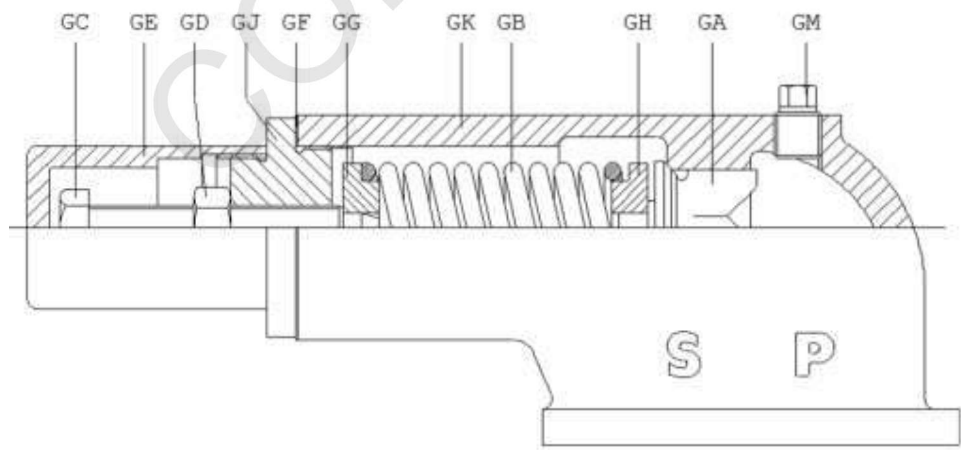
Grove must
face
crescent



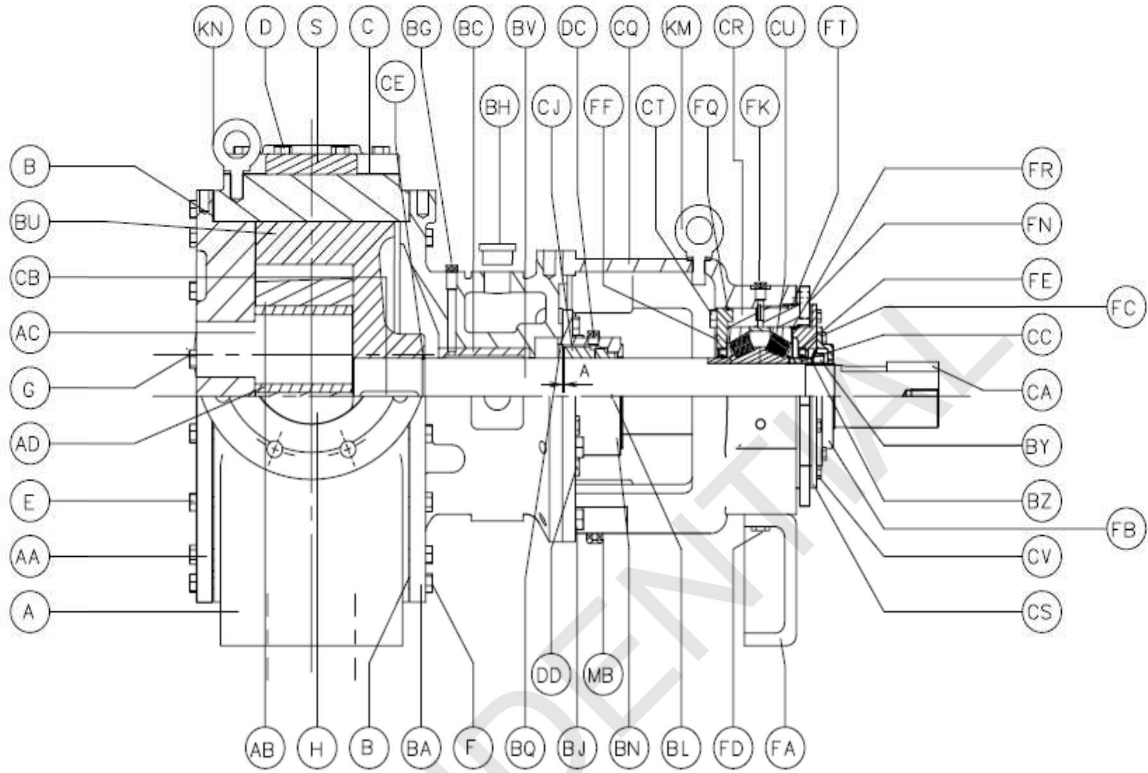
ED...EFDK



Bypass valve for HD,GP (CD,PD,ED)



HD202EM



24. spare part list

<u>Pos.</u>	<u>Designation</u>	<u>Pos.</u>	<u>Designation</u>
A	Pump casing	AB	Idler
B	Gasket/O-ring	AC	Idler pin
C	Gasket	AD	Idler bushing
D	Bolt	AE	Lubrication nipple/pipe plug
E	Bolt	AF	Gasket
F	Bolt	AJ	Heating jacket
G	Pipe plug	AK	Bolt
H	Plastic cap	AL	Pipe plug
J	Drive screw	AU	O-ring
K	Name plate	BA	Rear cover
S	Blind cover	BB	Packing gland/bearing cover
T	Pipe plug	BC	Main bearing bush/Ball bearing
U	Gasket	BD	Stud bolt/bolt
AA	Front cover	BE	Nut

<u>Pos.</u>	<u>Designation</u>	<u>Pos.</u>	<u>Designation</u>
BF	Washer	EG	Seal ring
BG	Pipe plug/lubrication nipple	EJ	Bolt
BH	Bolt/pipe plug	FA	Support
BJ	Bolt	FB	Cover for bearing nut
BL	Priming pin	FC	Set screw
BN	Shaft seal housing	FD	Set screw
BP	Intermediate bearing	FE	Oil seal
BQ	Gasket	FF	Bearing housing cover
BR	Spacer ring	FK	Lubrication nipple
BS	O-ring	FN	Socket set screw
BU	Rotor	FQ	O-ring
BV	Shaft	FR	O-ring
BY	Ball/Roller bearing nut	FT	O-ring
BZ	Ball/Roller bearing lock ring	GA	Valve cone
CA	Key	GB	Key
CB	Key	GC	Adjusting screw
CC	Fixing ring/spacer ring	GD	Nut
CD	Threaded screw	GE	Canister