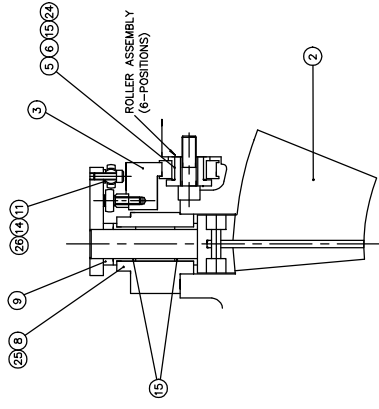
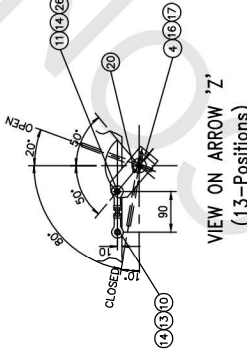
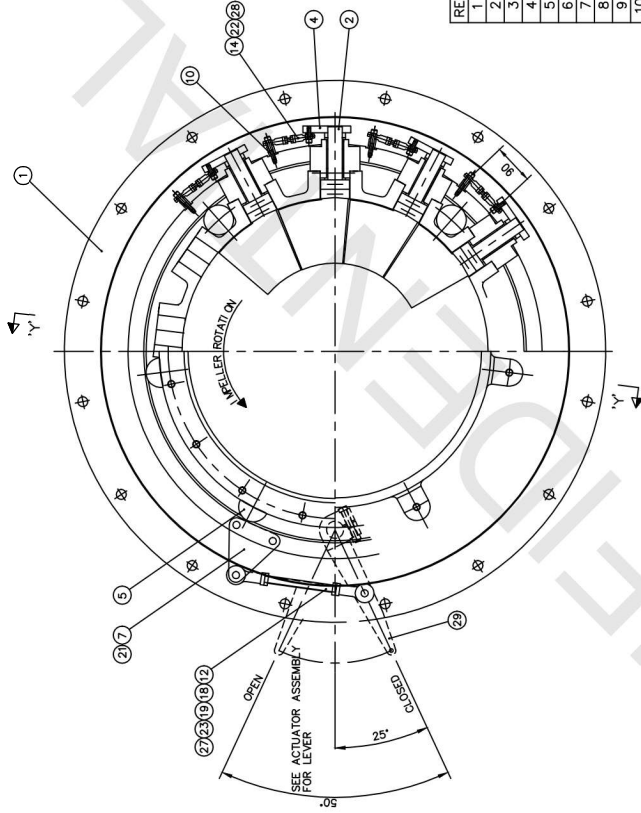


HOWDEN PROCESS COMPRESSORS	
DRG No	HHEL08/16/9038
REV	A

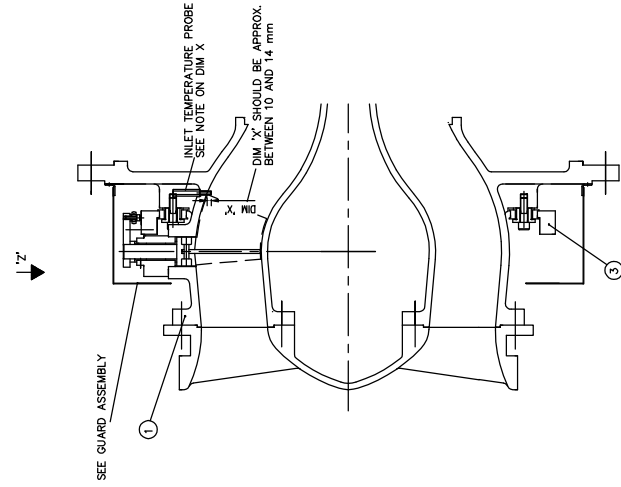


VANE ASSEMBLY (13-Positions)

BUILD ASSEMBLY TO W.S.I.26Z



NOTE: - MILD STEEL THREADED BAR TO BE USED FOR CONNECTING SPHERICAL BEARING ROD ENDS AND CUT TO LENGTH



REF	PART NO.	DESCRIPTION	MAT	QTY
1	HHEL124/KV-002	INLET FLANGE PIECE	C1018	1
2	124/KV-020	VANE & SPINDLE ASSY	S315	13
3	124/KV-018	I.G.V. ACTUATOR RING	S315	1
4	126/KV-013	OPERATING LEVER	S315	13
5	126/KV/026	RING LOCATING ROLLER	M20	6
6	126/KV/027	ROLLER MOUNTING SPINDLE	S315	6
7	HDC08/25/1097	IGV DRIVE PLATE	S315	1
8	126/KV/031	I.G.V. BEARING HOUSING	M20	13
9	126/KV/029	THRUST WASHER	M20	13
10	126/KV/030	SPACER BOSS	M20	13
11	126/KV/028	SPACER WASHER	M20	13
12	HDC08/16/7011	MFC16 SPHERICAL ROD-END (ROSE)	BOC	2
13	HMO208040B	M8x40 LONG CAPSCREW	BOC	13
14	HDC08/16/7009	SPHERICAL BEARING ROD END	BOC	26
15	HDC08/16/7010	SELF LUBE BRONZE BEARING (25MM LONG)	BOC	32
16	HMO208060B	M8x60 LONG CAPSCREW	BOC	13
17	HMO60805A	M8 'BINX' NUT	BOC	13
18	HDC08/16/7074	M16x2P SCREWED CONNECTOR	BOC	1
19	HMO216050B	M16x50 LONG SOCKET CAPSCREW	BOC	2
20	HMO10060T0D	M6x10 Lg GRUB SCREW	BOC	13
21	HMO216025B	M16x25 LONG CAPSCREW	BOC	2
22	HDC08/16/7073	M8x1.25P SCREWED CONNECTOR	BOC	13
23	HMO61602A	M16 LOCKNUT	BOC	2
24	HMO216060B	M16x60 LONG CAPSCREW	BOC	6
25	HMO210070B	M10x70 LONG CAPSCREW	BOC	39
26	HMO208030B	M8x30 LONG CAPSCREW	BOC	13
27	HMO61601A	M16 NUT	BOC	2
28	HMO60802A	M8 LOCKNUT	BOC	26
29	SEE ACT. ASM.	IGV ACTUATOR LEVER	BOC	1

### HOWDEN PROCESS COMPRESSORS

I.G.V. ASSEMBLY FOR SBOGAN BLOWER	CUSTOMER :- SCALE: 1:1
1:4 ANGLE PROJECTION INITIAL DATE: 20/09/08 DRAWN: 20/09/08 CHECKED: 16/09/08 APPROVED: 22/09/08	LOCATION :- DRG No: HHEL08/16/9038 ISSUE: A

UNCONTROLLED when printed or downloaded. Verify that this is the correct version before use. Reproduction of part or all the contents of the document is prohibited without written permission from P.T. Bhumi Sakti Jaya Service

ISSUE	DATE	APPROVED	DATE	ISSUE	DATE	APPROVED	DATE

METRIC DIMENSIONS UNLESS OTHERWISE STATED

UNLESS OTHERWISE STATED

1:10 UNDIMENSIONED DIMENSIONS ARE TO BE TAKEN FROM THE DRAWING UNLESS OTHERWISE SPECIFIED

DO NOT SCALE THIS DRAWING

IF IN DOUBT ASK

REPRODUCTION OF PART OR ALL THE CONTENTS OF THE DOCUMENT IS PROHIBITED WITHOUT WRITTEN PERMISSION FROM P.T. BHUMI SAKTI JAYA SERVICE

© 2008