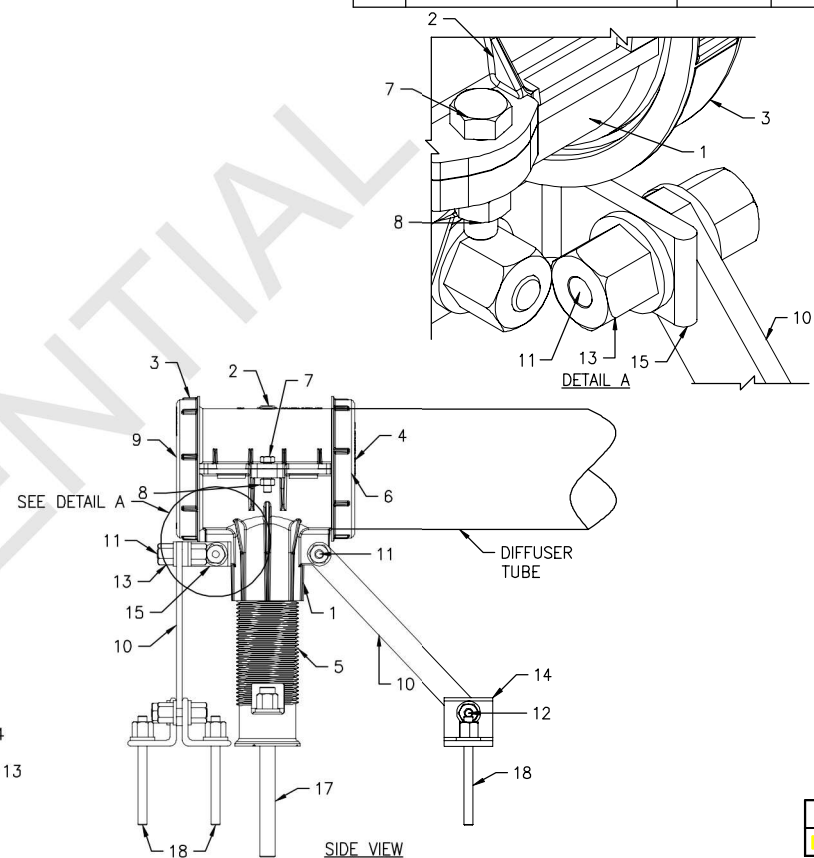


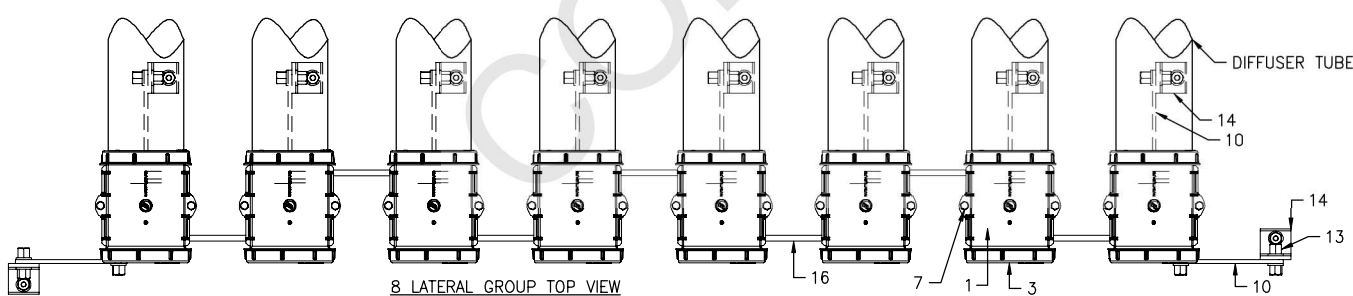
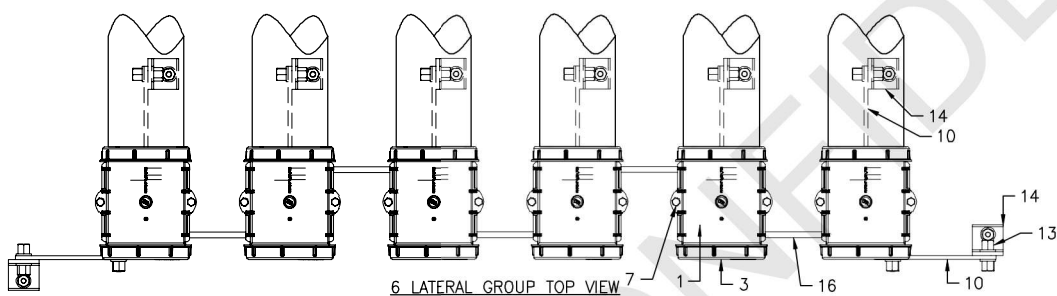
BILL OF MATERIAL

NO.	PART DESCRIPTION	PART NUMBER	6 LATERAL QTY	8 LATERAL QTY
1	Base, Coupling, Split, GFPP, 4, for 0.375" FRP Restraint Hardware	07292	6	8
2	Coupling, StreamLine, Top Section, TFPP, 4"	04301	6	8
3	Ring, Coupling, Split, GFPP, 4"	04302	12	16
4	Gasket, StreamLine Coupling, EPDM-Level 5 Fluorination, 4"	05899	6	8
5	Support, Guide, Base, GFPP, C/L Range: 7.500" - 16.500"	03162	6	8
6	Sleeve, Internal, Streamline, ABS Sdr26, 4"	05759	6	8
7	Bolt, Hex, TPU 40% GF, 0.313"-18 x 1.250	07297	12	16
8	Nut, Hex, TPU 40% GF, 0.313"-18	07296	12	16
9	Plug, StreamLine, GFPP, 4"	04306	6	8
10	Brace, 1" x 9.940" x 0.250", Fiberglass, 9"	07287	8	10
11	Stud, Fiberglass, Threaded, 0.375-16 x 3"	07289	6	6
12	Stud, Fiberglass, Threaded, 0.375-16 x 2"	07288	6	8
13	Nut, Hex, Fiberglass, 0.375"-16	07295	52	66
14	Support, Floor Mount, End Brace, Fiberglass, 2" x 2" x 2" x 0.250", for 0.375" anchor (For Overage)	07285	8	10
15	Support, Mount, End Brace, Fiberglass, 2" x 2" x 1" x 0.250", for 0.375" anchor	07317	2	2
16	Threaded Rod, FRP, 0.375"-16 x 12"	E18-27527-805	5	7
17	Stud, Fiberglass, Threaded, 0.375-16 x 6"	07291	6	8
18	Stud, Fiberglass, Threaded, 0.375-16 x 4.500"	07290	8	10

REVISION HISTORY			
REV	DESCRIPTION	DATE	APPROVED



COLOR



PROJECT NAME <b>TANJUNG JATI B, INDONESIA</b>			
PROJECT DESCRIPTION <b>YELLOW SUPPORT PART LIST</b>			
EDI FLEXAIR® AERATION-MIXING SYSTEM			
FOR: TEM	BY: VJN	DATE: 1/8/20	SCALE: N.T.S.
<b>Environmental Dynamics International</b>			
P: +1 573.474.9456 F: +1 573.474.6988 wastewater.com		Worldwide Headquarters: 5601 Paris Road Columbia, MO USA 65202	
PROJECT NUMBER <b>31678</b>	SHEET NUMBER <b>1 OF 1</b>	DWG NUMBER <b>156054</b>	