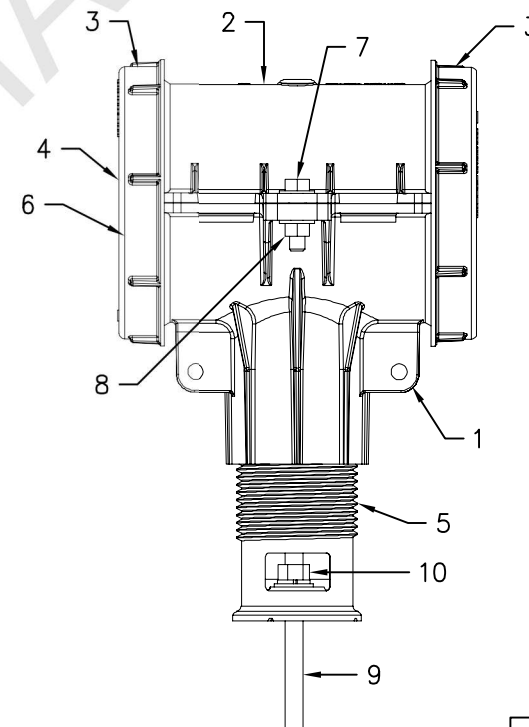
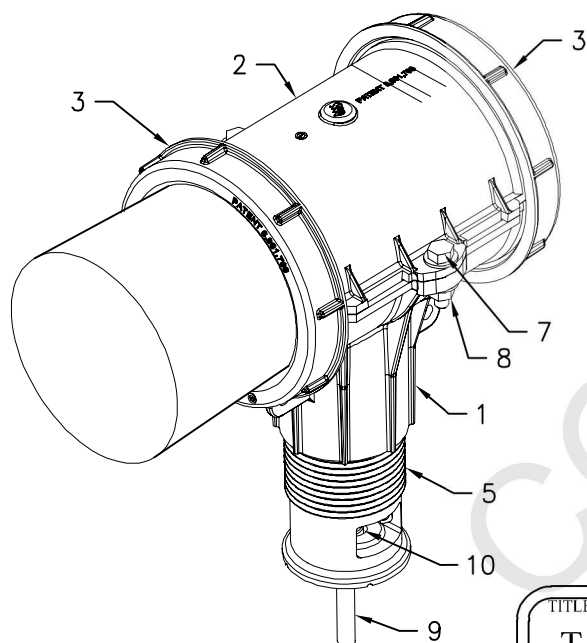


BILL OF MATERIAL			
NO.	PART DESCRIPTION	PART NUMBER	QUANTITY
1	Coupling, StreamLine, Support Cradle, TFPP, 4"	04300	1
2	Coupling, StreamLine, Top Section, TFPP, 4"	04301	1
3	Ring, Coupling, Split, GFPP, 4"	04302	2
4	Gasket, StreamLine Coupling, EPDM-Level 5 Fluorination, 4"	05899	1
5	Support, Guide, Base, GFPP, C/L Range: 7.500" - 16.500"	03162	1
6	Sleeve, Internal, Streamline, ABS Sdr26, 4"	05759	1
7	Bolt, Hex, TPU 40% GF, 0.313"-18 x 1.250	07297	2
8	Nut, Hex, TPU 40% GF, 0.313"-18	07296	2
9	Stud, Fiberglass, Threaded, 0.375-16 x 6"	07291	1
10	Nut, Hex, Fiberglass, 0.375"-16	07295	1



TITLE <b>TANJUNG JATI B, INDONESIA</b>		
DESCRIPTION: <b>RED SUPPORT PART LIST</b>		
ED I FLEXAIR® AERATION-MIXING SYSTEM		
PROJECT ID: 31678	SHEET NO: 1 OF 1	DWG NO: 156007

FOR: <b>TEM</b>
BY: <b>VJN</b>
DATE <b>1/6/20</b>
SCALE <b>N.T.S.</b>

**ENVIRONMENTAL DYNAMICS INT'L**  
 5601 PARIS ROAD  
 COLUMBIA, MISSOURI 65202  
 PHONE: 573-474-9456  
 FAX: 573-474-6988  
 WWW.WASTEWATER.COM



REV.	DATE

Uncontrolled when printed or downloaded. Verify that this is the correct version before use.  
 Reproduction of part or all the contents of the document is prohibited without written permission from PT. Bhumi Jepara Service