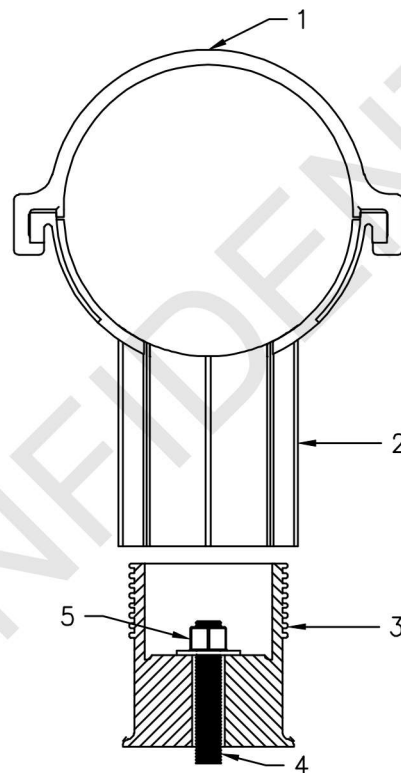
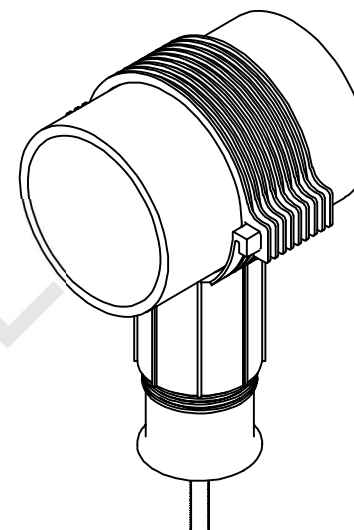


BILL OF MATERIAL			
NO.	PART DESCRIPTION	PART NUMBER	QUANTITY
1	Support, Guide, Clamp, GFPP, 4"	02895	1
2	Support, Guide, Cradle, GFPP, 4"	02894	1
3	Support, Guide, Base, GFPP, C/L Range: 7.500" - 16.500"	03162	1
4	Stud, Fiberglass, Threaded, 0.375-16 x 6"	07291	1
5	Nut, Hex, Fiberglass, 0.375"-16	07295	1



TITLE TANJUNG JATI B, INDONESIA		
DESCRIPTION: GREEN SUPPORT PART LIST		
EDI FLEXAIR® AERATION-MIXING SYSTEM		
PROJECT ID: 31678	SHEET NO: 1 OF 1	DWG NO: 156057

FOR: TEM
BY: VJN
DATE 1/8/20
SCALE N.T.S.

ENVIRONMENTAL DYNAMICS INT'L
5601 PARIS ROAD
COLUMBIA, MISSOURI 65202
PHONE: 573-474-9456
FAX: 573-474-6988
WWW.WASTEWATER.COM



REV.	DATE