

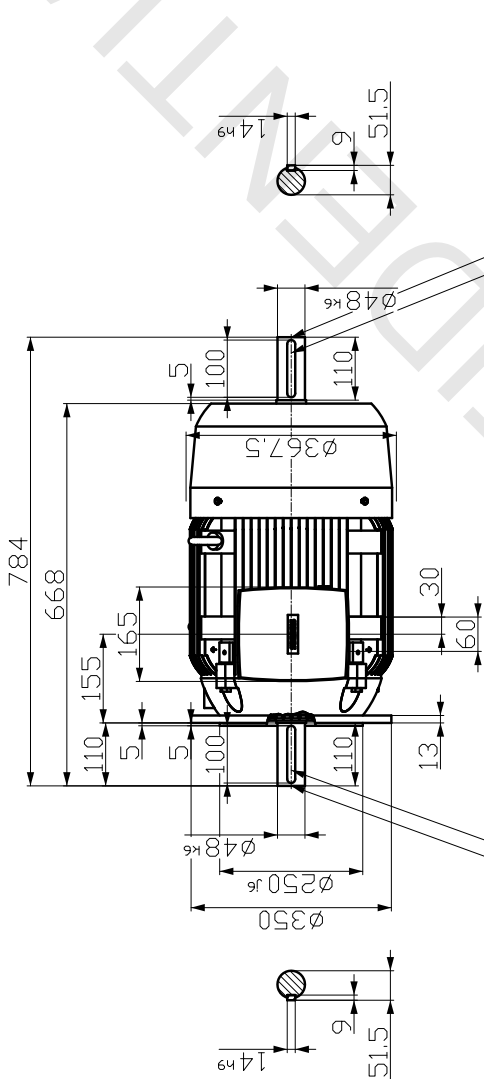
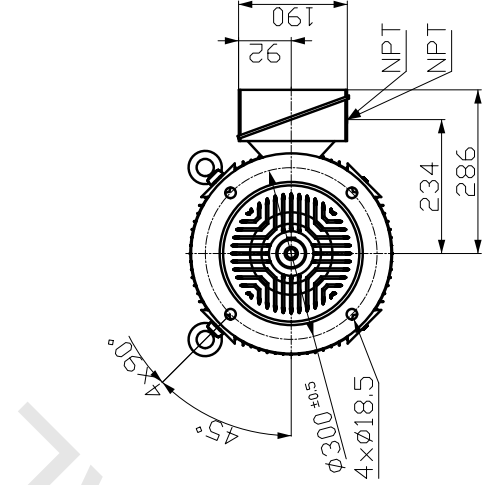


HAMON RESEARCH COTTRELL

Member of Hamongroup

LV Motor for GGH ROTOR DRIVE -50/60HTB10AC101/102

CONFIDENTIAL






DIN 332-DS M16
DIN 6885-1

Reference	Surface	Material	Weight	Scale
1LE1503-1EB23-3FB5-Z B65+F74+L05+Q02+Y61	Author Creator Approval Department Change Order Doc. State Revision	Dimensional drawing Maßzeichnung DTK	-	mm
SIEMENS © Siemens AG 2018	Doc. No. Index Doc. No.	Doc. Type Paper Size 1st Language 2nd Language	Doc. No. Doc. No.	mm
	Doc. No. Revision	Doc. Type Paper Size 1st Language 2nd Language	Doc. No. Doc. No.	mm
	Doc. No. Revision	Doc. Type Paper Size 1st Language 2nd Language	Doc. No. Doc. No.	mm

Uncontrolled when printed or downloaded. Verify that this is the correct version before use.
Reproduction of part or all the contents of the document is prohibited without written permission from PT. Bhumi Jepara Service

Drive unit motor 1LE1503-1EB2

SIEMENS					IE3  		
Made in Czech Rep.							
3~MOT 1CV3182B 1LE1503-1EB2							
IEC/EN 60034		180L	IMB3	IP55			
165kg	Th.Cl.155(F)	-20°C ≤ TAMB ≤ 40°C					
		Bearing					
	DE	6208-2ZC3					
	NE	6208-2ZC3					
KS C IEC60034-2-1							
V	Hz	A	kW	cosφ	NOM.EFF	1/min	IE-CL
380 Δ	50	37.50	18.50	0.82	92.6	1470	IE3
690 Y	50	21.50	18.50	0.82	92.6	1470	IE3
440 Δ	60	36.00	21.30	0.83	93.6	1770	IE3
440 Δ	60	32.50	18.50	0.81	93.6	1775	IE3