

SIEMENS

Made in P.R.China

SIEMENS LTD., CHINA

3~Mot. 1LE0001-1A84

2-1A84

100L

IM

IP

LMH.

cosφ

r/min

EFF.CI.

V 220/380 Δ/Y

Hz 50

kw 2.2

A 8.7

EFF. 84.3 %

1455

172

4.0

1720

BRG DE 6206 2Z C3

BRG NDE 6206 2Z C3

Th.Cl. 63F

IEC 60034-20

60034-20

Net: 32 kg

Q/321081 KJA001-2015

60034-20

60034-20

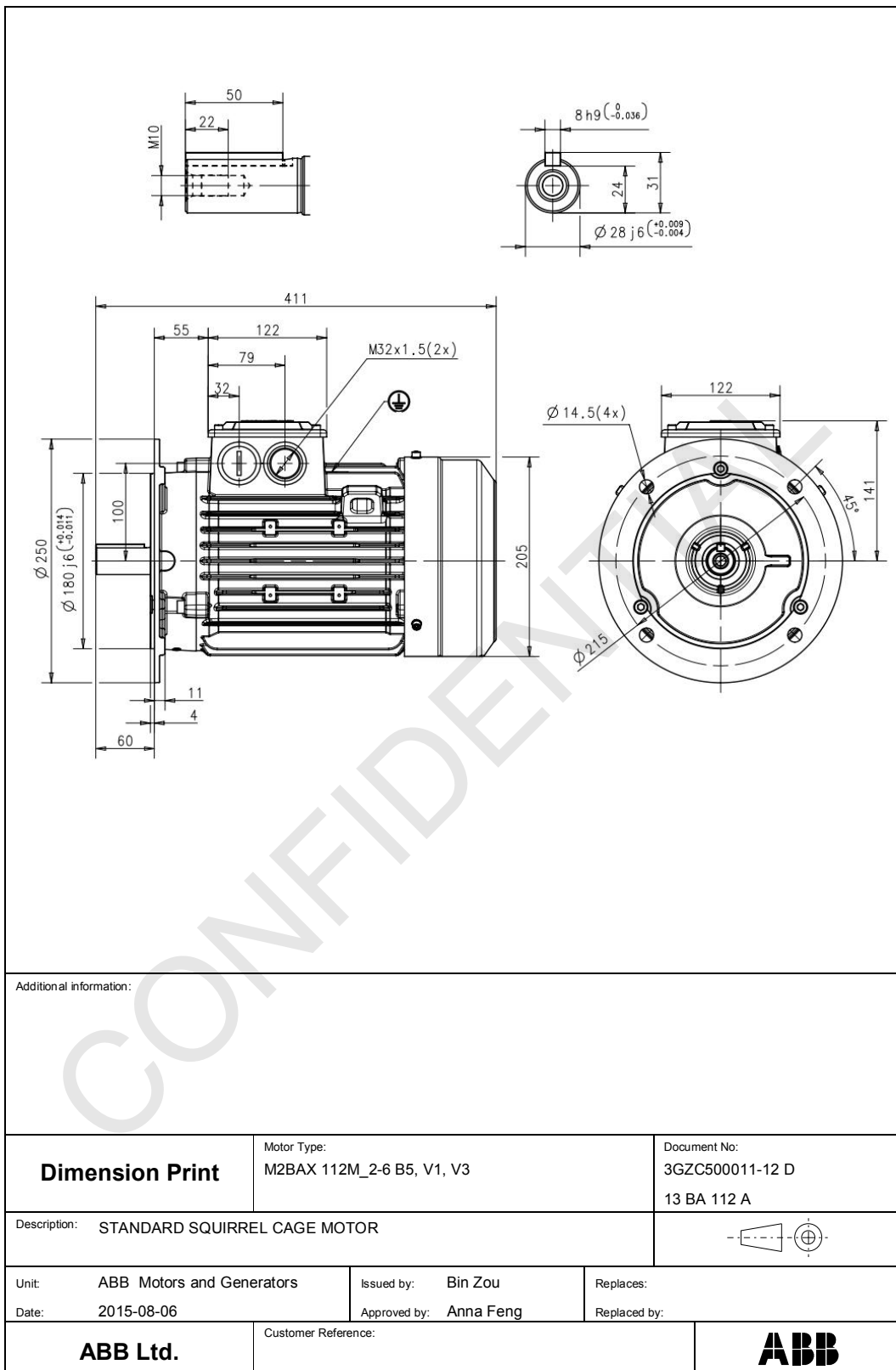


HAMON RESEARCH COTTRELL

Member of Hamongroup

LV Motor for Oxidation Air Blower Lube Oil Pump -50/60HTG11/21AP101

CONFIDENTIAL



Uncontrolled when printed or downloaded. Verify that this is the correct version before use.
 Reproduction of part or all the contents of the document is prohibited without written permission from PT. Bhumi Jepra Service