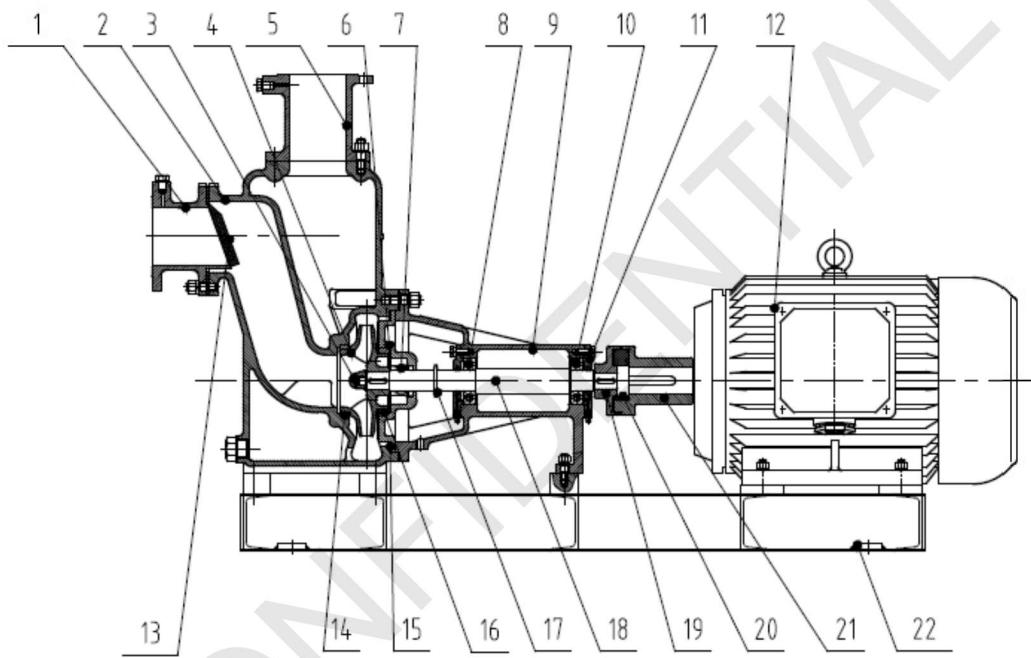


### Operation Conditions

GWZ Series must be operated in the following conditions:

- The temperature of conveyed medium shall not be higher than 80°C, and the absolute density of conveyed medium shall not be greater than  $1.1 \times 10^3 \text{ kg/m}^3$ .
- Generally speaking, the pump must be operated within its nominal pumping head, and the gate valve at pump discharge shall be properly adjusted so as to ensure that the motor may not be overloaded.
- In the process of operation, motor current must not exceed the value of rated current.

### Pump Cross Section Drawing



1.Valve body	2.Pump casing	3.Impeller nut	4.Impeller
5.Outlet pipe	6.Pump cover	7.Mech seal or gland packing	8.Ball bearing
9.Bracket	10.Ball bearing	11.Bearing cover	12.Motor
13.Valve disc	14.Wear ring	15.Wear ring	16.Casing Gasket
17.Deflector	18.Pump shaft	19.Pump coupling	20.Rubber ring
21. Motor coupling	22.Baseplate		