

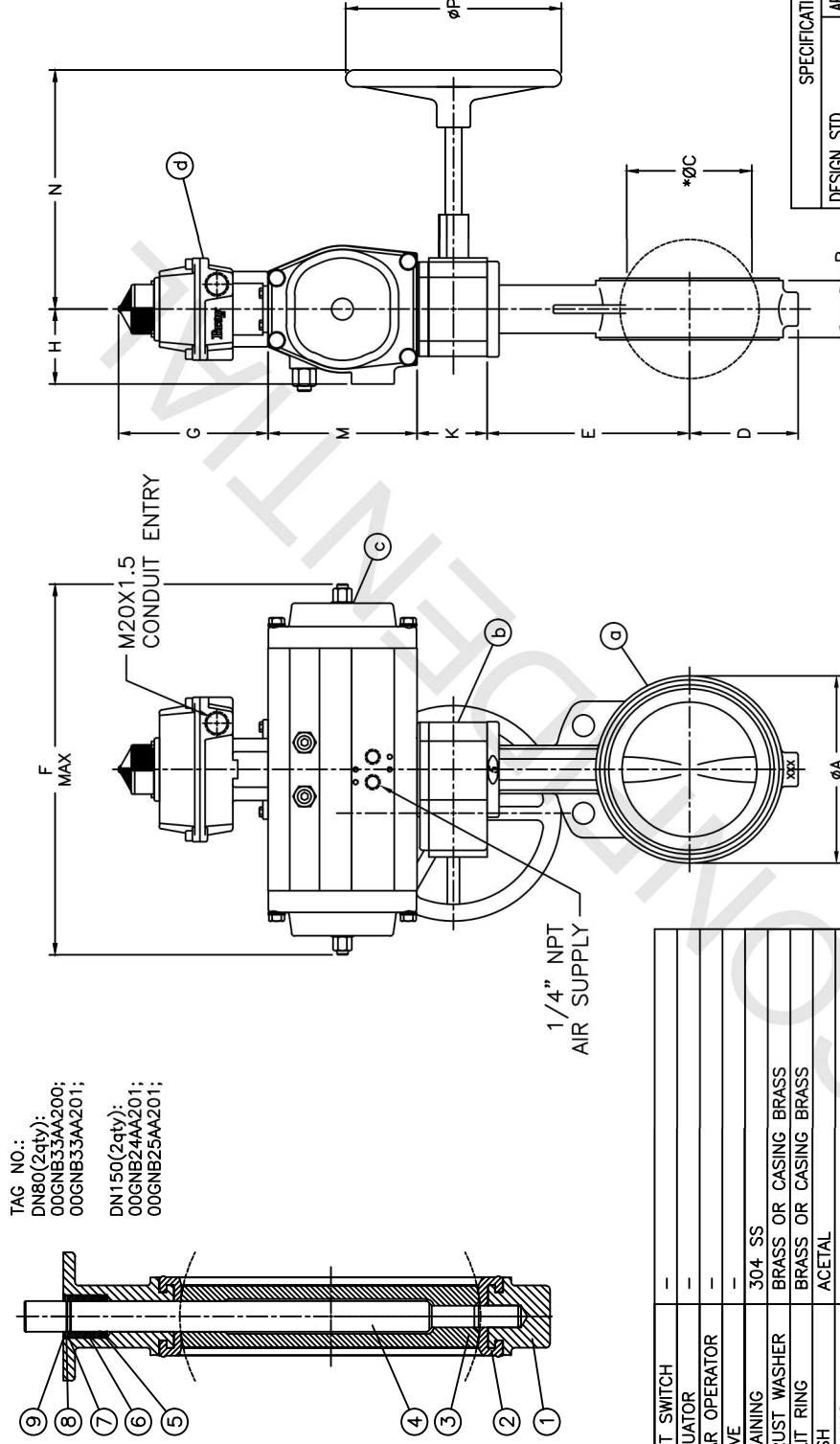
Teknik Jati B. Expression (Jepara) Coal Fired Steam Power Plant 2 x 1,000 MW
Valve List - On Off & Control Valve

Item No.	Valve Number (KKS)										Valve Description	Manufacturer / Country of Origin	Design Condition		Fluid Medium	Valve Type	Nominal Valve Size (DN)	Valve Rating (LB)	Body Material	End Connection (See Item 2.10 of Item Str)	Valve Operation (See Item 2.11 of Item Str)	Reference P&ID	Remarks	Ball / Disc / Diaphragm Material	Seal	Limit Switch / Travel Stop	Valve Model
	Level 0 (Total Plant)	Level 1 (System Code)	Level 2 (Equipment Code)	Level 3 (Component Code)	Press (barg)	Temp (°C)																					
	G	F ₀	F ₁ F ₂	F ₃	A ₁ A ₂	A ₃	A ₄	A ₅	B ₁	B ₂	B ₃																
14	0	0	GNB	33	AA	200	N/A	N/A	N/A	N/A	N/A	Bray	3	45	WW	Butterfly	80	ANSI150	DI Halar Line	Wafer	Pneumatic Actuator	TUBS-L3-OFF-C GNB-AP-007	Double acting, Fail Last	Mechanical LS extended travel stop	S30-JN80		
15	0	0	GNB	24	AA	201	N/A	N/A	N/A	N/A	N/A	Bray	1	45	WW	Butterfly	150	ANSI150	DI Halar Line	Wafer	Pneumatic Actuator	TUBS-L3-OFF-C GNB-AP-007	Double acting, Fail Last	Mechanical LS extended travel stop	S30-DN150		
22	0	0	GNB	33	AA	201	N/A	N/A	N/A	N/A	N/A	Bray	3	45	WW	Butterfly	80	ANSI150	DI Halar Line	Wafer	Pneumatic Actuator	TUBS-L3-OFF-C GNB-AP-007	Double acting, Fail Last	Mechanical LS extended travel stop	S30-JN80		
23	0	0	GNB	25	AA	201	N/A	N/A	N/A	N/A	N/A	Bray	1	45	WW	Butterfly	150	ANSI150	DI Halar Line	Wafer	Pneumatic Actuator	TUBS-L3-OFF-C GNB-AP-007	Double acting, Fail Last	Mechanical LS extended travel stop	S30-DN150		

Uncontrolled when printed or downloaded. Verify that this is the correct version before use.
 Reproduction of part or all the contents of the document is prohibited without written permission from PT. Bhumi Jepara Service

VALVE SIZE	ACTUATOR SIZE	FLANGE DATA											WEIGHT (KG)	QTY				
		A	B	C	D	E	F	G	H	K	M	N			P	BCD	HOLES NO.	HOLES DIA.
DN80	92-093	124	44	65	71	159	300	141	63	66	117	226	203	152.4	4	17.5	15	2
DN150	92-128	206	53	138	115	203	433	141	73	66	161	226	203	241.3	8	20.6	23	2

NOTE: *DIM IS DISC CHORDAL DIMENSIONS AT VALVE FACE.



TAG NO.:
 DN80(2qty):
 00GNB33AA200;
 00GNB33AA201;
 DN150(2qty):
 00GNB24AA201;
 00GNB25AA201;

d	LIMIT SWITCH	-
c	ACTUATOR	-
b	GEAR OPERATOR	-
a	VALVE	-
9	RETAINING	304 SS
8	THRUST WASHER	BRASS OR CASING BRASS
7	SPLIT RING	BRASS OR CASING BRASS
6	BUSH	ACETAL
5	PACKING	BUNA-N
4	STEM	316SS(ASTM A276 TYPE316)
3	DISC	DI(ASTM A536 Gr. 65-45-12)/Halal
2	SEAT	EPDM
1	BODY	DI(ASTM A536 Gr. 65-45-12)
ITEM	NAME	MATERIAL

SPECIFICATION	
DESIGN STD.	API 609 CATEGORY A
TEST STD.	MSS SP61
PRESSURE RATING	175 PSI[12 BAR]
SEAT TEST(HYDRAULIC)	195 PSI[13.3 BAR]
SHELL TEST(HYDRAULIC)	375 PSI[25.9 BAR]

THE INFORMATION CONTAINED HEREIN SHALL NOT BE COPIED, REPRODUCED, TRANSMITTED, OR IN ANY MANNER DISCLOSED TO THE PUBLIC WITHOUT THE EXPRESS WRITTEN PERMISSION OF BRAY INTERNATIONAL, INC.

Bray CONTROLS
 A Division of BRAY INTERNATIONAL, Inc.

SALES ORDER NO. **708623**

CUSTOMER NAME: **ASME B16.5 CLASS 150**

CUSTOMER PROJECT: **ASME B16.5 CLASS 150**

CUSTOMER PROJECT NO. **175 PSI**

ITEM: **708623**

NAME: **708623**

MATERIAL: **708623**

DESIGNATION: **708623**

REV. **1**

DATE: **06/29/2018**

BY: **06/29/2018**

APP: **06/29/2018**

DR: **06/29/2018**

SCALE: **1 OF 1**

DRAWING NO. **GA-25677**

REVISION: **GA-25677**

REPRODUCTION OF PART OR ALL THE CONTENTS OF THIS DOCUMENT IS PROHIBITED WITHOUT WRITTEN PERMISSION FROM BRAY INTERNATIONAL, INC.