

**BOUSTEAD SALCON WATER SOLUTIONS PTE LTD
WASTE WATER TREATMENT SYSTEM**

**TANJUNG JATI B EXPANSION (JAWA-4) COAL FIRED STEAM POWER PLANT
AMMONIA REMOVAL SYSTEM**

2.2 Manual Valve List & Catalogue - Ball

CONFIDENTIAL

Tanjung Jati B Expansion (Java-4) Coal Fired Steam Power Plant 2 x 1,000 MW
 Valve List - Manual Valve

Item No.	Valve Number (KKS)										Design Condition			Valve Type (See Item 2.6 of Instr. Sht)	Nominal Valve Size (DN)	Valve Rating (LB)	Body Material (-)	End Connection (See Item 2.10 of Instr. Sht)	Valve Operation (See Item 2.11 of Instr. Sht)	Reference P&ID	Remarks	Seal	Valve Model
	Level 0 (Total Plant)	Level 1 (System Code)	Level 2 (Equipment Code)				Level 3 (Component Code)		Valve Description	Manufacturer / Country of Origin	Press (bar/g)	Temp (°C)	Fluid Medium (-)										
			G	F ₁	F ₂	F ₃	F ₄	A ₁															
1	0	0	GNB	02	AA	002	N/A	N/A	N/A	Herthey	4	41	VW	Ball	40	PN16	CPVC	Socket	Handle	TJB56-L3-OFF-C-GNB-M-PID-0004	EPDM	VP-641	
3	0	0	GNB	03	AA	002	N/A	N/A	N/A	Herthey	4	41	VW	Ball	40	PN16	CPVC	Socket	Handle	TJB56-L3-OFF-C-GNB-M-PID-0004	EPDM	VP-641	
5	0	0	GNB	04	AA	001	N/A	N/A	N/A	Herthey	4	41	VW	Ball	15	PN16	CPVC	Socket	Handle	TJB56-L3-OFF-C-GNB-M-PID-0004	EPDM	VP-641	
6	0	0	GNB	83	AA	001	N/A	N/A	N/A	Herthey	5	41	Organic Sulphide	Ball	15	PN16	CPVC	Socket	Handle	TJB56-L3-OFF-C-GNB-M-PID-0005	EPDM	VP-641	
7	0	0	GNB	83	AA	001	N/A	N/A	N/A	Herthey	5	41	Organic Sulphide	Ball	15	PN16	CPVC	Socket	Handle	TJB56-L3-OFF-C-GNB-M-PID-0005	EPDM	VP-641	
9	0	0	GNB	67	AA	801	N/A	N/A	N/A	Herthey	5	41	NaOH	Ball	15	PN16	CPVC	Socket	Handle	TJB56-L3-OFF-C-GNB-M-PID-0005	EPDM	VP-641	
10	0	0	GNB	67	AA	801	N/A	N/A	N/A	Herthey	5	41	NaOH	Ball	15	PN16	CPVC	Socket	Handle	TJB56-L3-OFF-C-GNB-M-PID-0005	EPDM	VP-641	
15	0	0	GNB	80	AA	801	N/A	N/A	N/A	Herthey	5	41	PAC	Ball	15	PN16	CPVC	Socket	Handle	TJB56-L3-OFF-C-GNB-M-PID-0005	EPDM	VP-641	
16	0	0	GNB	80	AA	001	N/A	N/A	N/A	Herthey	5	41	PAC	Ball	15	PN16	CPVC	Socket	Handle	TJB56-L3-OFF-C-GNB-M-PID-0005	EPDM	VP-641	
18	0	0	GNB	92	AA	801	N/A	N/A	N/A	Herthey	5	41	Polymer	Ball	15	PN16	CPVC	Socket	Handle	TJB56-L3-OFF-C-GNB-M-PID-0005	EPDM	VP-641	
19	0	0	GNB	92	AA	001	N/A	N/A	N/A	Herthey	5	41	Polymer	Ball	15	PN16	CPVC	Socket	Handle	TJB56-L3-OFF-C-GNB-M-PID-0005	EPDM	VP-641	
21	0	0	GNB	05	AA	801	N/A	N/A	N/A	Herthey	ATM	41	VW	Ball	50	PN16	CPVC	Socket	Handle	TJB56-L3-OFF-C-GNB-M-PID-0005	EPDM	VP-641	
22	0	0	GNB	06	AA	801	N/A	N/A	N/A	Herthey	ATM	41	VW	Ball	50	PN16	CPVC	Socket	Handle	TJB56-L3-OFF-C-GNB-M-PID-0005	EPDM	VP-641	
23	0	0	GNB	07	AA	801	N/A	N/A	N/A	Herthey	ATM	41	VW	Ball	50	PN16	CPVC	Socket	Handle	TJB56-L3-OFF-C-GNB-M-PID-0005	EPDM	VP-641	
24	0	0	GNB	20	AA	001	N/A	N/A	N/A	Herthey	ATM	41	Slurry	Ball	40	PN16	CPVC	Socket	Handle	TJB56-L3-OFF-C-GNB-M-PID-0006	EPDM	VP-641	
25	0	0	GNB	20	AA	801	N/A	N/A	N/A	Herthey	ATM	41	Slurry	Ball	40	PN16	CPVC	Socket	Handle	TJB56-L3-OFF-C-GNB-M-PID-0006	EPDM	VP-641	
26	0	0	GNB	69	AA	031	N/A	N/A	N/A	Herthey	5	41	SW	Ball	25	PN16	CPVC	Socket	Handle	TJB56-L3-OFF-C-GNB-M-PID-0006	EPDM	VP-641	
28	0	0	GNB	21	AA	001	N/A	N/A	N/A	Herthey	ATM	41	Slurry	Ball	40	PN16	CPVC	Socket	Handle	TJB56-L3-OFF-C-GNB-M-PID-0006	EPDM	VP-641	
30	0	0	GNB	22	AA	001	N/A	N/A	N/A	Herthey	ATM	41	Slurry	Ball	40	PN16	CPVC	Socket	Handle	TJB56-L3-OFF-C-GNB-M-PID-0006	EPDM	VP-641	
32	0	0	GNB	24	AA	001	N/A	N/A	N/A	Herthey	ATM	41	VW	Ball	50	PN16	CPVC	Socket	Handle	TJB56-L3-OFF-C-GNB-M-PID-0007	EPDM	VP-641	
33	0	0	GNB	24	AA	001	N/A	N/A	N/A	Herthey	ATM	41	VW	Ball	50	ANSI 150	CPVC	Flange	Handle	TJB56-L3-OFF-C-GNB-M-PID-0007	EPDM	VP-641	
35	0	0	GNB	25	AA	001	N/A	N/A	N/A	Herthey	ATM	41	VW	Ball	50	PN16	CPVC	Socket	Handle	TJB56-L3-OFF-C-GNB-M-PID-0007	EPDM	VP-641	
36	0	0	GNB	25	AA	801	N/A	N/A	N/A	Herthey	ATM	41	VW	Ball	50	ANSI 150	CPVC	Flange	Handle	TJB56-L3-OFF-C-GNB-M-PID-0007	EPDM	VP-641	
38	0	0	GNB	69	AA	031	N/A	N/A	N/A	Herthey	5	41	NaOH	Ball	15	PN16	CPVC	Socket	Handle	TJB56-L3-OFF-C-GNB-M-PID-0008	EPDM	VP-641	
40	0	0	GNB	69	AA	801	N/A	N/A	N/A	Herthey	5	41	NaOH	Ball	15	PN16	CPVC	Socket	Handle	TJB56-L3-OFF-C-GNB-M-PID-0008	EPDM	VP-641	
45	0	0	GNB	35	AA	004	N/A	N/A	N/A	Herthey	4	41	VW	Ball	40	PN16	CPVC	Socket	Handle	TJB56-L3-OFF-C-GNB-M-PID-0008	EPDM	VP-641	
46	0	0	GNB	36	AA	004	N/A	N/A	N/A	Herthey	4	41	VW	Ball	40	PN16	CPVC	Socket	Handle	TJB56-L3-OFF-C-GNB-M-PID-0008	EPDM	VP-641	
53	0	0	GNB	37	AA	001	N/A	N/A	N/A	Herthey	5	60	SW	Ball	25	PN16	CPVC	Socket	Handle	TJB56-L3-OFF-C-GNB-M-PID-0009	EPDM	VP-641	
54	0	0	GNB	97	AA	020	N/A	N/A	N/A	Herthey	5	60	SW	Ball	25	PN16	CPVC	Socket	Handle	TJB56-L3-OFF-C-GNB-M-PID-0009	EPDM	VP-641	
59	0	0	GNB	39	AA	001	N/A	N/A	N/A	Herthey	5	60	VW	Ball	50	ANSI 150	CPVC	Flange	Handle	TJB56-L3-OFF-C-GNB-M-PID-0009	EPDM	VP-641	
67	0	0	GNB	39	AA	801	N/A	N/A	N/A	Herthey	5	60	VW	Ball	50	ANSI 150	CPVC	Flange	Handle	TJB56-L3-OFF-C-GNB-M-PID-0009	EPDM	VP-641	
68	0	0	GNB	39	AA	804	N/A	N/A	N/A	Herthey	5	60	VW	Ball	25	PN 15	CPVC	Socket	Handle	TJB56-L3-OFF-C-GNB-M-PID-0009	EPDM	VP-641	
64	0	0	GNB	39	AA	802	N/A	N/A	N/A	Herthey	-0.10.1	60	Condensate	Ball	25	PN16	CPVC	Socket	N/A	TJB56-L3-OFF-C-GNB-M-PID-0009	EPDM	VP-641	
65	0	0	GNB	39	AA	006	N/A	N/A	N/A	Herthey	-0.10.1	60	Condensate	Ball	25	PN16	CPVC	Socket	N/A	TJB56-L3-OFF-C-GNB-M-PID-0009	EPDM	VP-641	
66	0	0	GNB	39	AA	002	N/A	N/A	N/A	Herthey	5	60	VW	Ball	25	PN16	CPVC	Socket	Handle	TJB56-L3-OFF-C-GNB-M-PID-0009	EPDM	VP-641	
74	0	0	GNB	41	AA	801	N/A	N/A	N/A	Herthey	5	41	VW	Ball	50	ANSI 150	CPVC	Flange	Handle	TJB56-L3-OFF-C-GNB-M-PID-0009	EPDM	VP-641	
75	0	0	GNB	41	AA	802	N/A	N/A	N/A	Herthey	5	41	VW	Ball	50	ANSI 150	CPVC	Flange	Handle	TJB56-L3-OFF-C-GNB-M-PID-0009	EPDM	VP-641	
76	0	0	GNB	41	AA	804	N/A	N/A	N/A	Herthey	5	60	VW	Ball	25	PN 15	CPVC	Socket	N/A	TJB56-L3-OFF-C-GNB-M-PID-0009	EPDM	VP-641	
80	0	0	GNB	41	AA	803	N/A	N/A	N/A	Herthey	5	60	Condensate	Ball	25	PN16	CPVC	Socket	N/A	TJB56-L3-OFF-C-GNB-M-PID-0009	EPDM	VP-641	
81	0	0	GNB	41	AA	006	N/A	N/A	N/A	Herthey	-0.10.1	60	Condensate	Ball	25	PN16	CPVC	Socket	N/A	TJB56-L3-OFF-C-GNB-M-PID-0009	EPDM	VP-641	
87	0	0	GNB	41	AA	002	N/A	N/A	N/A	Herthey	5	60	SW	Ball	25	PN16	CPVC	Socket	Handle	TJB56-L3-OFF-C-GNB-M-PID-0009	EPDM	VP-641	
92	0	0	GNB	43	AA	801	N/A	N/A	N/A	Herthey	5	60	SW	Ball	25	PN16	CPVC	Socket	Handle	TJB56-L3-OFF-C-GNB-M-PID-0009	EPDM	VP-641	
94	0	0	GNB	43	AA	802	N/A	N/A	N/A	Herthey	5	60	SW	Ball	25	PN16	CPVC	Socket	Handle	TJB56-L3-OFF-C-GNB-M-PID-0009	EPDM	VP-641	
96	0	0	GNB	44	AA	801	N/A	N/A	N/A	Herthey	ATM	60	SW	Ball	25	PN16	CPVC	Socket	Handle	TJB56-L3-OFF-C-GNB-M-PID-0009	EPDM	VP-641	
98	0	0	GNB	44	AA	802	N/A	N/A	N/A	Herthey	5	60	SW	Ball	25	PN16	CPVC	Socket	Handle	TJB56-L3-OFF-C-GNB-M-PID-0009	EPDM	VP-641	
101	0	0	GNB	45	AA	001	N/A	N/A	N/A	Herthey	5	60	SW	Ball	25	PN16	CPVC	Socket	Handle	TJB56-L3-OFF-C-GNB-M-PID-0009	EPDM	VP-641	
102	0	0	GNB	45	AA	002	N/A	N/A	N/A	Herthey	5	60	SW	Ball	25	PN16	CPVC	Socket	Handle	TJB56-L3-OFF-C-GNB-M-PID-0009	EPDM	VP-641	
103	0	0	GNB	45	AA	003	N/A	N/A	N/A	Herthey	5	60	SW	Ball	25	PN16	CPVC	Socket	Handle	TJB56-L3-OFF-C-GNB-M-PID-0009	EPDM	VP-641	
104	0	0	GNB	45	AA	004	N/A	N/A	N/A	Herthey	5	60	SW	Ball	25	PN16	CPVC	Socket	Handle	TJB56-L3-OFF-C-GNB-M-PID-0009	EPDM	VP-641	
105	0	0	GNB	45	AA	005	N/A	N/A	N/A	Herthey	5	60	SW	Ball	25	PN16	CPVC	Socket	Handle	TJB56-L3-OFF-C-GNB-M-PID-0009	EPDM	VP-641	
106	0	0	GNB	41	AA	007	N/A	N/A	N/A	Herthey	5	60	SW	Ball	25	PN16	CPVC	Socket	Handle	TJB56-L3-OFF-C-GNB-M-PID-0009	EPDM	VP-641	
107	0	0	GNB	50	AA	001	N/A	N/A	N/A	Herthey	5	60	Ammonia Sulphate	Ball	40	PN16	CPVC	Socket	Handle	TJB56-L3-OFF-C-GNB-M-PID-0010	EPDM	VP-641	
108	0	0	GNB	50	AA	801	N/A	N/A	N/A	Herthey	5	60	Ammonia Sulphate	Ball	25	PN16	CPVC	Socket	Handle	TJB56-L3-OFF-C-GNB-M-PID-0010	EPDM	VP-641	
109	0	0	GNB	51	AA	001	N/A	N/A	N/A	Herthey	5	60	Ammonia Sulphate	Ball	40	PN16	CPVC	Socket	Handle	TJB56-L3-OFF-C-GNB-M-PID-0010	EPDM	VP-641	
110	0	0	GNB	51	AA	801	N/A	N/A	N/A	Herthey	5	60	Ammonia Sulphate	Ball	25	PN16	CPVC	Socket	Handle	TJB56-L3-OFF-C-GNB-M-PID-0010	EPDM	VP-641	
112	0	0	GNB	50	AA	802	N/A	N/A	N/A	Herthey	5	60	Ammonia Sulphate	Ball	25	PN16	CPVC	Socket	Handle	TJB56-L3-OFF-C-GNB-M-PID-0010	EPDM	VP-641	
114	0	0	GNB	51	AA	802	N/A	N/A	N/A	Herthey	5	60	Ammonia Sulphate	Ball	25	PN16	CPVC	Socket	Handle	TJB56-L3-OFF-C-GNB-M-PID-0010	EPDM	VP-641	
115	0	0	GNB	50	AA	003	N/A	N/A	N/A	Herthey	5	60	Ammonia Sulphate	Ball	25	PN16	CPVC	Socket	Handle	TJB56-L3-OFF-C-GNB-M-PID-0010	EPDM		

Tanjung Jati B Expansion (Jawa-4) Coal Fired Steam Power Plant 2 x 1,000 MW
Valve List - Manual Valve

Item No.	Valve Number (KKS)										Valve Description	Manufacturer / Country of Origin	Design Condition		Fluid Medium	Valve Type	Nominal Valve Size	Valve Rating	Body Material	End Connection	Valve Operation	Reference P&ID	Remarks	Seal	Valve Model
	Level 0 (Total Plant)		Level 1 (System Code)		Level 2 (Equipment Code)		Level 3 (Component Code)		Press	Temp															
	G	F ₂	F ₁ F ₂ F ₃	F ₄	A ₁ A ₂	A ₃	A ₄	A ₅					B ₁ B ₂	B ₃											
209	0	0	GNB	78	AA	801	N/A	N/A	N/A		Hersey	ATM	41	PAC	Ball	25	PN16	CPVC	Socket	Handle	TJ856-L3-OFF-C-GNB-M-PID-0015		EPDM	VP-641	
212	0	0	GNB	78	AA	802	N/A	N/A	N/A		Hersey	3	41	PAC	Ball	25	PN16	CPVC	Socket	Handle	TJ856-L3-OFF-C-GNB-M-PID-0015		EPDM	VP-641	
217	0	0	GNB	78	AA	805	N/A	N/A	N/A		Hersey	ATM	41	PAC	Ball	25	PN16	CPVC	Socket	Handle	TJ856-L3-OFF-C-GNB-M-PID-0015		EPDM	VP-641	
219	0	0	GNB	79	AA	801	N/A	N/A	N/A		Hersey	ATM	41	PAC	Ball	15	PN16	CPVC	Socket	Handle	TJ856-L3-OFF-C-GNB-M-PID-0015		EPDM	VP-641	
220	0	0	GNB	79	AA	802	N/A	N/A	N/A		Hersey	5	41	PAC	Ball	15	PN16	CPVC	Socket	Handle	TJ856-L3-OFF-C-GNB-M-PID-0015		EPDM	VP-641	
224	0	0	GNB	79	AA	811	N/A	N/A	N/A		Hersey	ATM	41	PAC	Ball	15	PN16	CPVC	Socket	Handle	TJ856-L3-OFF-C-GNB-M-PID-0015		EPDM	VP-641	
225	0	0	GNB	79	AA	812	N/A	N/A	N/A		Hersey	5	41	PAC	Ball	15	PN16	CPVC	Socket	Handle	TJ856-L3-OFF-C-GNB-M-PID-0015		EPDM	VP-641	
232	0	0	GNB	81	AA	803	N/A	N/A	N/A		Hersey	ATM	41	TMT15	Ball	25	PN16	CPVC	Socket	Handle	TJ856-L3-OFF-C-GNB-M-PID-0016		EPDM	VP-641	
234	0	0	GNB	82	AA	801	N/A	N/A	N/A		Hersey	ATM	41	TMT15	Ball	15	PN16	CPVC	Socket	Handle	TJ856-L3-OFF-C-GNB-M-PID-0016		EPDM	VP-641	
235	0	0	GNB	82	AA	802	N/A	N/A	N/A		Hersey	5	41	TMT15	Ball	15	PN16	CPVC	Socket	Handle	TJ856-L3-OFF-C-GNB-M-PID-0016		EPDM	VP-641	
239	0	0	GNB	82	AA	811	N/A	N/A	N/A		Hersey	ATM	41	TMT15	Ball	15	PN16	CPVC	Socket	Handle	TJ856-L3-OFF-C-GNB-M-PID-0016		EPDM	VP-641	
240	0	0	GNB	82	AA	812	N/A	N/A	N/A		Hersey	5	41	TMT15	Ball	15	PN16	CPVC	Socket	Handle	TJ856-L3-OFF-C-GNB-M-PID-0016		EPDM	VP-641	
244	0	0	GNB	84	AA	801	N/A	N/A	N/A		Hersey	ATM	41	NaOCl	Ball	25	PN16	CPVC	Socket	Handle	TJ856-L3-OFF-C-GNB-M-PID-0017		FFM	VP-641	
247	0	0	GNB	84	AA	802	N/A	N/A	N/A		Hersey	3	41	NaOCl	Ball	25	PN16	CPVC	Socket	Handle	TJ856-L3-OFF-C-GNB-M-PID-0017		FFM	VP-641	
251	0	0	GNB	84	AA	804	N/A	N/A	N/A		Hersey	ATM	41	NaOCl	Ball	25	PN16	CPVC	Socket	Handle	TJ856-L3-OFF-C-GNB-M-PID-0017		FFM	VP-641	
253	0	0	GNB	84	AA	805	N/A	N/A	N/A		Hersey	ATM	41	NaOCl	Ball	25	PN16	CPVC	Socket	Handle	TJ856-L3-OFF-C-GNB-M-PID-0017		FFM	VP-641	
255	0	0	GNB	85	AA	801	N/A	N/A	N/A		Hersey	ATM	41	NaOCl	Ball	15	PN16	CPVC	Socket	Handle	TJ856-L3-OFF-C-GNB-M-PID-0017		FFM	VP-641	
256	0	0	GNB	85	AA	802	N/A	N/A	N/A		Hersey	5	41	NaOCl	Ball	15	PN16	CPVC	Socket	Handle	TJ856-L3-OFF-C-GNB-M-PID-0017		FFM	VP-641	
260	0	0	GNB	85	AA	811	N/A	N/A	N/A		Hersey	ATM	41	NaOCl	Ball	15	PN16	CPVC	Socket	Handle	TJ856-L3-OFF-C-GNB-M-PID-0017		FFM	VP-641	
261	0	0	GNB	85	AA	812	N/A	N/A	N/A		Hersey	5	41	NaOCl	Ball	15	PN16	CPVC	Socket	Handle	TJ856-L3-OFF-C-GNB-M-PID-0017		FFM	VP-641	
270	0	0	GNB	87	AA	803	N/A	N/A	N/A		Hersey	ATM	41	SBS	Ball	25	PN16	CPVC	Socket	Handle	TJ856-L3-OFF-C-GNB-M-PID-0018		EPDM	VP-641	
272	0	0	GNB	88	AA	801	N/A	N/A	N/A		Hersey	ATM	41	SBS	Ball	15	PN16	CPVC	Socket	Handle	TJ856-L3-OFF-C-GNB-M-PID-0018		EPDM	VP-641	
273	0	0	GNB	88	AA	802	N/A	N/A	N/A		Hersey	5	41	SBS	Ball	15	PN16	CPVC	Socket	Handle	TJ856-L3-OFF-C-GNB-M-PID-0018		EPDM	VP-641	
277	0	0	GNB	88	AA	811	N/A	N/A	N/A		Hersey	ATM	41	SBS	Ball	15	PN16	CPVC	Socket	Handle	TJ856-L3-OFF-C-GNB-M-PID-0018		EPDM	VP-641	
278	0	0	GNB	88	AA	812	N/A	N/A	N/A		Hersey	5	41	SBS	Ball	15	PN16	CPVC	Socket	Handle	TJ856-L3-OFF-C-GNB-M-PID-0018		EPDM	VP-641	
287	0	0	GNB	90	AA	806	N/A	N/A	N/A		Hersey	ATM	41	Polymer	Ball	25	PN10	CPVC	Socket	Handle	TJ856-L3-OFF-C-GNB-M-PID-0019		EPDM	VP-641	
290	0	0	GNB	90	AA	805	N/A	N/A	N/A		Hersey	ATM	41	Polymer	Ball	25	PN16	CPVC	Socket	Handle	TJ856-L3-OFF-C-GNB-M-PID-0019		EPDM	VP-641	
292	0	0	GNB	91	AA	801	N/A	N/A	N/A		Hersey	ATM	41	Polymer	Ball	15	PN16	CPVC	Socket	Handle	TJ856-L3-OFF-C-GNB-M-PID-0019		EPDM	VP-641	
293	0	0	GNB	91	AA	802	N/A	N/A	N/A		Hersey	5	41	Polymer	Ball	15	PN16	CPVC	Socket	Handle	TJ856-L3-OFF-C-GNB-M-PID-0019		EPDM	VP-641	
297	0	0	GNB	91	AA	811	N/A	N/A	N/A		Hersey	ATM	41	Polymer	Ball	15	PN16	CPVC	Socket	Handle	TJ856-L3-OFF-C-GNB-M-PID-0019		EPDM	VP-641	
298	0	0	GNB	91	AA	812	N/A	N/A	N/A		Hersey	5	41	Polymer	Ball	15	PN16	CPVC	Socket	Handle	TJ856-L3-OFF-C-GNB-M-PID-0019		EPDM	VP-641	

Uncontrolled when printed or downloaded. Verify that this is the correct version before use.
Reproduction of part or all the contents of the document is prohibited without written permission from PT. Bhumi Jepra Service

Tanjung Jati B Expansion (Jawa-4) Coal Fired Steam Power Plant 2 x 1,000 MW
Valve List - Instrument Isolation Valve

Item No.	Valve Number (KKS)										Design Condition		Fluid Medium	Valve Type	Nominal Valve Size	Valve Rating	Body Material	End Connection	Valve Operation	Reference P&ID	Remarks	Seal	Valve Model
	Level 0 (Total Plant)	Level 1 (System Code)	Level 2 (Equipment Code)			Level 3 (Component Code)				Manufacturer / Country of Origin	Press	Temp											
			G	F ₆	F ₁ F ₂ F ₃	F _N	A ₁ A ₂	A _N	A ₃														
1	0	0	GNB	02	AA	301	N/A	N/A	N/A	Lift Pump A Discharge PG Isolation Valve	Hershey	4	45	WW	Ball	15	PN16	CPVC	Socket	Handle	TJB56-L3-OFF-C-GNB-M-PID-0004	EPDM	VP-641
2	0	0	GNB	03	AA	301	N/A	N/A	N/A	Lift Pump B Discharge PG Isolation Valve	Hershey	4	45	WW	Ball	15	PN16	CPVC	Socket	Handle	TJB56-L3-OFF-C-GNB-M-PID-0004	EPDM	VP-641
3	0	0	GNB	04	AA	301	N/A	N/A	N/A	Lift Pump Discharge pH Isolation Valve	Hershey	4	45	WW	Ball	15	PN16	CPVC	Socket	Handle	TJB56-L3-OFF-C-GNB-M-PID-0004	EPDM	VP-641
4	0	0	GNB	21	AA	301	N/A	N/A	N/A	Slurry Pump A Suction Pressure Switch Isolation Valve	Hershey	1	45	Slurry	Ball	15	PN16	CPVC	Socket	Handle	TJB56-L3-OFF-C-GNB-M-PID-0006	EPDM	VP-641
5	0	0	GNB	21	AA	304	N/A	N/A	N/A	Slurry Pump A Suction Pressure Gauge Isolation Valve	Hershey	1	45	Slurry	Ball	15	PN16	CPVC	Socket	Handle	TJB56-L3-OFF-C-GNB-M-PID-0006	EPDM	VP-641
6	0	0	GNB	21	AA	302	N/A	N/A	N/A	Slurry Pump A Discharge Pressure Gauge Isolation Valve	Hershey	3	45	Slurry	Ball	15	PN16	CPVC	Socket	Handle	TJB56-L3-OFF-C-GNB-M-PID-0006	EPDM	VP-641
7	0	0	GNB	21	AA	303	N/A	N/A	N/A	Slurry Pump A Discharge Pressure Switch Isolation Valve	Hershey	3	45	Slurry	Ball	15	PN16	CPVC	Socket	Handle	TJB56-L3-OFF-C-GNB-M-PID-0006	EPDM	VP-641
8	0	0	GNB	22	AA	301	N/A	N/A	N/A	Slurry Pump B Suction Pressure Switch Isolation Valve	Hershey	1	45	Slurry	Ball	15	PN16	CPVC	Socket	Handle	TJB56-L3-OFF-C-GNB-M-PID-0006	EPDM	VP-641
9	0	0	GNB	22	AA	304	N/A	N/A	N/A	Slurry Pump B Suction Pressure Gauge Isolation Valve	Hershey	1	45	Slurry	Ball	15	PN16	CPVC	Socket	Handle	TJB56-L3-OFF-C-GNB-M-PID-0006	EPDM	VP-641
10	0	0	GNB	22	AA	302	N/A	N/A	N/A	Slurry Pump B Discharge Pressure Gauge Isolation Valve	Hershey	3	45	Slurry	Ball	15	PN16	CPVC	Socket	Handle	TJB56-L3-OFF-C-GNB-M-PID-0006	EPDM	VP-641
11	0	0	GNB	22	AA	303	N/A	N/A	N/A	Slurry Pump B Discharge Pressure Switch Isolation Valve	Hershey	3	45	Slurry	Ball	15	PN16	CPVC	Socket	Handle	TJB56-L3-OFF-C-GNB-M-PID-0006	EPDM	VP-641
12	0	0	GNB	20	AA	301	N/A	N/A	N/A	Clarifier Outlet Turbidity Analyzer Isolation Valve	Hershey	1	45	WW	Ball	15	PN16	CPVC	Socket	Handle	TJB56-L3-OFF-C-GNB-M-PID-0006	EPDM	VP-641
13	0	0	GNB	24	AA	301	N/A	N/A	N/A	Gravity Filter A Pressure Differential Switch Isolation valve A	Hershey	1	45	WW	Ball	15	PN16	CPVC	Socket	Handle	TJB56-L3-OFF-C-GNB-M-PID-0007	EPDM	VP-641
14	0	0	GNB	24	AA	302	N/A	N/A	N/A	Gravity Filter A Pressure Differential Switch Isolation valve B	Hershey	1	45	WW	Ball	15	PN16	CPVC	Socket	Handle	TJB56-L3-OFF-C-GNB-M-PID-0007	EPDM	VP-641
15	0	0	GNB	25	AA	301	N/A	N/A	N/A	Gravity Filter B Pressure Differential Switch Isolation valve A	Hershey	1	45	WW	Ball	15	PN16	CPVC	Socket	Handle	TJB56-L3-OFF-C-GNB-M-PID-0007	EPDM	VP-641
16	0	0	GNB	25	AA	302	N/A	N/A	N/A	Gravity Filter B Pressure Differential Switch Isolation valve B	Hershey	1	45	WW	Ball	15	PN16	CPVC	Socket	Handle	TJB56-L3-OFF-C-GNB-M-PID-0007	EPDM	VP-641
17	0	0	GNB	24	AA	303	N/A	N/A	N/A	Gravity Filter A Turbidity Analyzer Isolation Valve	Hershey	1	45	WW	Ball	15	PN16	CPVC	Socket	Handle	TJB56-L3-OFF-C-GNB-M-PID-0007	EPDM	VP-641
18	0	0	GNB	25	AA	303	N/A	N/A	N/A	Gravity Filter B Turbidity Analyzer Isolation Valve	Hershey	1	45	WW	Ball	15	PN16	CPVC	Socket	Handle	TJB56-L3-OFF-C-GNB-M-PID-0007	EPDM	VP-641
19	0	0	GNB	35	AA	301	N/A	N/A	N/A	Stripper Feed Pump A Pressure Gauge Isolation valve	Hershey	4	45	WW	Ball	15	PN16	CPVC	Socket	Handle	TJB56-L3-OFF-C-GNB-M-PID-0008	EPDM	VP-641
20	0	0	GNB	36	AA	301	N/A	N/A	N/A	Stripper Feed Pump B Pressure Gauge Isolation valve	Hershey	4	45	WW	Ball	15	PN16	CPVC	Socket	Handle	TJB56-L3-OFF-C-GNB-M-PID-0008	EPDM	VP-641
21	0	0	GNB	31	AA	301	N/A	N/A	N/A	Gravity Filter Backwash Pump A Pressure Gauge Isolation valve	Hershey	3	45	WW	Ball	15	PN16	CPVC	Socket	Handle	TJB56-L3-OFF-C-GNB-M-PID-0008	EPDM	VP-641
22	0	0	GNB	32	AA	301	N/A	N/A	N/A	Gravity Filter Backwash Pump B Pressure Gauge Isolation valve	Hershey	3	45	WW	Ball	15	PN16	CPVC	Socket	Handle	TJB56-L3-OFF-C-GNB-M-PID-0008	EPDM	VP-641
23	0	0	GNB	39	AA	301	N/A	N/A	N/A	Air Stripper Level Transmitter Isolation Valve A	Hershey	5	60	WW	Ball	80	ANSI150	CPVC	Flange	Handle	TJB56-L3-OFF-C-GNB-M-PID-0009	EPDM	VP-641
24	0	0	GNB	39	AA	302	N/A	N/A	N/A	Air Stripper Level Transmitter Isolation Valve B	Hershey	5	60	WW	Ball	80	ANSI150	CPVC	Flange	Handle	TJB56-L3-OFF-C-GNB-M-PID-0009	EPDM	VP-641
27	0	0	GNB	41	AA	301	N/A	N/A	N/A	Scrubber Level Transmitter Isolation Valve A	Hershey	5	60	WW	Ball	80	ANSI150	CPVC	Flange	Handle	TJB56-L3-OFF-C-GNB-M-PID-0009	EPDM	VP-641
28	0	0	GNB	41	AA	302	N/A	N/A	N/A	Scrubber Level Transmitter Isolation Valve B	Hershey	5	60	WW	Ball	80	ANSI150	CPVC	Flange	Handle	TJB56-L3-OFF-C-GNB-M-PID-0009	EPDM	VP-641
31	0	0	GNB	41	AA	305	N/A	N/A	N/A	Scrubber Differential Level Transmitter Isolation Valve A	Hershey	5	60	WW	Ball	80	ANSI150	CPVC	Flange	Handle	TJB56-L3-OFF-C-GNB-M-PID-0009	EPDM	VP-641
32	0	0	GNB	41	AA	306	N/A	N/A	N/A	Scrubber Differential Level Transmitter Isolation Valve B	Hershey	5	60	WW	Ball	80	ANSI150	CPVC	Flange	Handle	TJB56-L3-OFF-C-GNB-M-PID-0009	EPDM	VP-641
33	0	0	GNB	46	AA	301	N/A	N/A	N/A	Stripper Fan A Pressure Gauge Isolation valve	Hershey	5	60	Air	Ball	25	ANSI 150	CPVC	Flange	Handle	TJB56-L3-OFF-C-GNB-M-PID-0009	EPDM	VP-641
34	0	0	GNB	47	AA	301	N/A	N/A	N/A	Stripper Fan B Pressure Gauge Isolation valve	Hershey	5	60	Air	Ball	25	ANSI 150	CPVC	Flange	Handle	TJB56-L3-OFF-C-GNB-M-PID-0009	EPDM	VP-641
35	0	0	GNB	43	AA	301	N/A	N/A	N/A	Scrubber Recirculation Pump A Suction Pressure Gauge Isolation Valve	Hershey	5	60	SW	Ball	25	ANSI 150	CPVC	Flange	Handle	TJB56-L3-OFF-C-GNB-M-PID-0009	EPDM	VP-641
36	0	0	GNB	43	AA	302	N/A	N/A	N/A	Scrubber Recirculation Pump A Discharge Pressure Gauge Isolation Valve	Hershey	5	60	SW	Ball	15	ANSI 150	CPVC	Flange	Handle	TJB56-L3-OFF-C-GNB-M-PID-0009	EPDM	VP-641
37	0	0	GNB	44	AA	301	N/A	N/A	N/A	Scrubber Recirculation Pump B Suction Pressure Gauge Isolation Valve	Hershey	5	60	SW	Ball	25	ANSI 150	CPVC	Flange	Handle	TJB56-L3-OFF-C-GNB-M-PID-0009	EPDM	VP-641
38	0	0	GNB	44	AA	302	N/A	N/A	N/A	Scrubber Recirculation Pump B Discharge Pressure Gauge Isolation Valve	Hershey	4	60	SW	Ball	15	ANSI 150	CPVC	Flange	Handle	TJB56-L3-OFF-C-GNB-M-PID-0009	EPDM	VP-641
39	0	0	GNB	50	AA	301	N/A	N/A	N/A	Scrubber Drain Pump A Suction Pressure Gauge Isolation Valve	Hershey	5	60	Ammonia Sulphate	Ball	25	ANSI 150	CPVC	Flange	Handle	TJB56-L3-OFF-C-GNB-M-PID-0010	EPDM	VP-641
40	0	0	GNB	51	AA	301	N/A	N/A	N/A	Scrubber Drain Pump B Suction Pressure Gauge Isolation Valve	Hershey	5	60	Ammonia Sulphate	Ball	25	ANSI 150	CPVC	Flange	Handle	TJB56-L3-OFF-C-GNB-M-PID-0010	EPDM	VP-641
41	0	0	GNB	50	AA	302	N/A	N/A	N/A	Scrubber Drain Pump A Discharge Pressure Gauge Isolation Valve	Hershey	5	60	Ammonia Sulphate	Ball	15	ANSI 150	CPVC	Flange	Handle	TJB56-L3-OFF-C-GNB-M-PID-0010	EPDM	VP-641
42	0	0	GNB	51	AA	302	N/A	N/A	N/A	Scrubber Drain Pump B Discharge Pressure Gauge Isolation Valve	Hershey	5	60	Ammonia Sulphate	Ball	15	ANSI 150	CPVC	Flange	Handle	TJB56-L3-OFF-C-GNB-M-PID-0010	EPDM	VP-641
43	0	0	GNB	54	AA	301	N/A	N/A	N/A	Ammonia Sulphate Storage Tank Level Gauge Isolation Valve A	Hershey	5	60	Ammonia Sulphate	Ball	25	ANSI 150	CPVC	Flange	Handle	TJB56-L3-OFF-C-GNB-M-PID-0010	EPDM	VP-641
44	0	0	GNB	54	AA	302	N/A	N/A	N/A	Ammonia Sulphate Storage Tank Level Gauge Isolation Valve B	Hershey	5	60	Ammonia Sulphate	Ball	25	ANSI 150	CPVC	Flange	Handle	TJB56-L3-OFF-C-GNB-M-PID-0010	EPDM	VP-641
45	0	0	GNB	59	AA	301	N/A	N/A	N/A	Treated Effluent Lift Pump A Discharge Pressure Gauge Isolation Valve	Hershey	6	45	WW	Ball	15	PN 16	CPVC	Socket	Handle	TJB56-L3-OFF-C-GNB-M-PID-0011	EPDM	VP-641
46	0	0	GNB	60	AA	301	N/A	N/A	N/A	Treated Effluent Lift Pump B Discharge Pressure Gauge Isolation Valve	Hershey	6	45	WW	Ball	15	PN 16	CPVC	Socket	Handle	TJB56-L3-OFF-C-GNB-M-PID-0011	EPDM	VP-641

Uncontrolled when printed or downloaded. Verify that this is the correct version before use.
Reproduction of part or all the contents of the document is prohibited without written permission from PT. Bhumi Jepara Service

Tanjung Jati B Expansion (Jawa-4) Coal Fired Steam Power Plant 2 x 1,000 MW
Valve List - Instrument Isolation Valve

Item No.	Valve Number (KKS)										Valve Description	Manufacturer / Country of Origin	Design Condition		Fluid Medium	Valve Type	Nominal Valve Size	Valve Rating	Body Material	End Connection	Valve Operation	Reference P&ID	Remarks	Seal	Valve Model
	Level 0 (Total Plant)	Level 1 (System Code)			Level 2 (Equipment Code)			Level 3 (Component Code)					Press	Temp											
	G	F ₀	F ₁ F ₂ F ₃	F _N	A ₁ A ₂	A _N	A ₃	B ₁ B ₂	B _N	(barg)			(°C)												
47	0	0	GNB	61	AA	301	N/A	N/A	N/A	Treated Effluent Lift Pump Discharge pH Isolation Valve	Hershey	6	45	WW	Ball	15	PN 16	CPVC	Socket	Handle	TJB56-L3-OFF-C-GNB-M-PID-0011	EPDM	VP-641		
48	0	0	GNB	65	AA	305	N/A	N/A	N/A	Caustic Unloading Pump Suction Pressure Gauge Isolation Valve	Hershey	1	45	NaOH	Ball	15	PN 16	CPVC	Socket	Handle	TJB56-L3-OFF-C-GNB-M-PID-0012	EPDM	VP-641		
49	0	0	GNB	65	AA	301	N/A	N/A	N/A	Caustic Unloading Pump Discharge Pressure Gauge Isolation Valve	Hershey	3	45	NaOH	Ball	15	PN 16	CPVC	Socket	Handle	TJB56-L3-OFF-C-GNB-M-PID-0012	EPDM	VP-641		
50	0	0	GNB	65	AA	302	N/A	N/A	N/A	Caustic Storage tank Level gauge Isolation Valve A	Hershey	1	45	NaOH	Ball	25	ANSI150	CPVC	Flange	Handle	TJB56-L3-OFF-C-GNB-M-PID-0012	EPDM	VP-641		
51	0	0	GNB	65	AA	303	N/A	N/A	N/A	Caustic Storage tank Level gauge Isolation Valve B	Hershey	1	45	NaOH	Ball	25	ANSI150	CPVC	Flange	Handle	TJB56-L3-OFF-C-GNB-M-PID-0012	EPDM	VP-641		
52	0	0	GNB	65	AA	304	N/A	N/A	N/A	Caustic Calibration Column Isolation Valve	Hershey	1	45	NaOH	Ball	15	PN 16	CPVC	Socket	Handle	TJB56-L3-OFF-C-GNB-M-PID-0012	EPDM	VP-641		
53	0	0	GNB	66	AA	303	N/A	N/A	N/A	Caustic Feed Pump A For Neutralization Tank Discharge Pressure Gauge Isolation Valve	Hershey	5	45	NaOH	Ball	15	PN 16	CPVC	Socket	Handle	TJB56-L3-OFF-C-GNB-M-PID-0012	EPDM	VP-641		
54	0	0	GNB	66	AA	312	N/A	N/A	N/A	Caustic Feed Pump B For Neutralization Tank Discharge Pressure Gauge Isolation Valve	Hershey	5	45	NaOH	Ball	15	PN 16	CPVC	Socket	Handle	TJB56-L3-OFF-C-GNB-M-PID-0012	EPDM	VP-641		
55	0	0	GNB	67	AA	301	N/A	N/A	N/A	Caustic Feed Pump For Neutralization Tank Discharge Pulsation Damper Isolation Valve	Hershey	5	45	NaOH	Ball	15	PN 16	CPVC	Socket	Handle	TJB56-L3-OFF-C-GNB-M-PID-0012	EPDM	VP-641		
56	0	0	GNB	67	AA	302	N/A	N/A	N/A	Caustic Feed Pump For Neutralization Tank Discharge Pressure Transmitter Isolation Valve	Hershey	5	45	NaOH	Ball	15	PN 16	CPVC	Socket	Handle	TJB56-L3-OFF-C-GNB-M-PID-0012	EPDM	VP-641		
57	0	0	GNB	68	AA	303	N/A	N/A	N/A	Caustic Feed Pump A For pH Adjustment Tank Discharge Pressure Gauge Isolation Valve	Hershey	5	45	NaOH	Ball	15	PN 16	CPVC	Socket	Handle	TJB56-L3-OFF-C-GNB-M-PID-0012	EPDM	VP-641		
58	0	0	GNB	68	AA	312	N/A	N/A	N/A	Caustic Feed Pump B For pH Adjustment Tank Discharge Pressure Gauge Isolation Valve	Hershey	5	45	NaOH	Ball	15	PN 16	CPVC	Socket	Handle	TJB56-L3-OFF-C-GNB-M-PID-0012	EPDM	VP-641		
59	0	0	GNB	69	AA	301	N/A	N/A	N/A	Caustic Feed Pump For pH Adjustment Tank Discharge Pulsation Damper Isolation Valve	Hershey	5	45	NaOH	Ball	15	PN 16	CPVC	Socket	Handle	TJB56-L3-OFF-C-GNB-M-PID-0012	EPDM	VP-641		
60	0	0	GNB	69	AA	302	N/A	N/A	N/A	Caustic Feed Pump For pH Adjustment Tank Discharge Pressure Transmitter Isolation Valve	Hershey	5	45	NaOH	Ball	15	PN 16	CPVC	Socket	Handle	TJB56-L3-OFF-C-GNB-M-PID-0012	EPDM	VP-641		
76	0	0	GNB	78	AA	305	N/A	N/A	N/A	Coagulant Unloading Pump Suction Pressure Gauge Isolation Valve	Hershey	1	45	PAC	Ball	15	PN 16	CPVC	Socket	Handle	TJB56-L3-OFF-C-GNB-M-PID-0015	EPDM	VP-641		
77	0	0	GNB	78	AA	301	N/A	N/A	N/A	Coagulant Unloading Pump Discharge Pressure Gauge Isolation Valve	Hershey	3	45	PAC	Ball	15	PN 16	CPVC	Socket	Handle	TJB56-L3-OFF-C-GNB-M-PID-0015	EPDM	VP-641		
78	0	0	GNB	78	AA	302	N/A	N/A	N/A	Coagulant Storage tank Level gauge Isolation Valve A	Hershey	1	45	PAC	Ball	25	ANSI150	CPVC	Flange	Handle	TJB56-L3-OFF-C-GNB-M-PID-0015	EPDM	VP-641		
79	0	0	GNB	78	AA	303	N/A	N/A	N/A	Coagulant Storage tank Level gauge Isolation Valve B	Hershey	1	45	PAC	Ball	25	ANSI150	CPVC	Flange	Handle	TJB56-L3-OFF-C-GNB-M-PID-0015	EPDM	VP-641		
80	0	0	GNB	78	AA	304	N/A	N/A	N/A	Coagulant Calibration Column Isolation Valve	Hershey	1	45	PAC	Ball	15	PN 16	CPVC	Socket	Handle	TJB56-L3-OFF-C-GNB-M-PID-0015	EPDM	VP-641		
81	0	0	GNB	79	AA	303	N/A	N/A	N/A	Coagulant Feed Pump A Discharge Pressure Gauge Isolation Valve	Hershey	5	45	PAC	Ball	15	PN 16	CPVC	Socket	Handle	TJB56-L3-OFF-C-GNB-M-PID-0015	EPDM	VP-641		
82	0	0	GNB	79	AA	312	N/A	N/A	N/A	Coagulant Feed Pump B Discharge Pressure Gauge Isolation Valve	Hershey	5	45	PAC	Ball	15	PN 16	CPVC	Socket	Handle	TJB56-L3-OFF-C-GNB-M-PID-0015	EPDM	VP-641		
83	0	0	GNB	80	AA	301	N/A	N/A	N/A	Coagulant Feed Pump Discharge Pulsation Damper Isolation Valve	Hershey	5	45	PAC	Ball	15	PN 16	CPVC	Socket	Handle	TJB56-L3-OFF-C-GNB-M-PID-0015	EPDM	VP-641		
84	0	0	GNB	80	AA	302	N/A	N/A	N/A	Coagulant Feed Pump Discharge Pressure Transmitter Isolation Valve	Hershey	5	45	PAC	Ball	15	PN 16	CPVC	Socket	Handle	TJB56-L3-OFF-C-GNB-M-PID-0015	EPDM	VP-641		
85	0	0	GNB	81	AA	301	N/A	N/A	N/A	Organic Sulfide Storage tank Level gauge Isolation Valve A	Hershey	1	45	TMT 15	Ball	25	ANSI150	CPVC	Flange	Handle	TJB56-L3-OFF-C-GNB-M-PID-0016	EPDM	VP-641		
86	0	0	GNB	81	AA	302	N/A	N/A	N/A	Organic Sulfide Storage tank Level gauge Isolation Valve B	Hershey	1	45	TMT 15	Ball	25	ANSI150	CPVC	Flange	Handle	TJB56-L3-OFF-C-GNB-M-PID-0016	EPDM	VP-641		
87	0	0	GNB	81	AA	303	N/A	N/A	N/A	Organic Sulfide Calibration Column Isolation Valve	Hershey	1	45	TMT 15	Ball	15	PN 16	CPVC	Socket	Handle	TJB56-L3-OFF-C-GNB-M-PID-0016	EPDM	VP-641		
88	0	0	GNB	82	AA	303	N/A	N/A	N/A	Organic Sulfide Feed Pump A Discharge Pressure Gauge Isolation Valve	Hershey	5	45	TMT 15	Ball	15	PN 16	CPVC	Socket	Handle	TJB56-L3-OFF-C-GNB-M-PID-0016	EPDM	VP-641		
89	0	0	GNB	82	AA	312	N/A	N/A	N/A	Organic Sulfide Feed Pump B Discharge Pressure Gauge Isolation Valve	Hershey	5	45	TMT 15	Ball	15	PN 16	CPVC	Socket	Handle	TJB56-L3-OFF-C-GNB-M-PID-0016	EPDM	VP-641		
90	0	0	GNB	83	AA	301	N/A	N/A	N/A	Organic Sulfide Feed Pump Discharge Pulsation Damper Isolation Valve	Hershey	5	45	TMT 15	Ball	15	PN 16	CPVC	Socket	Handle	TJB56-L3-OFF-C-GNB-M-PID-0016	EPDM	VP-641		
91	0	0	GNB	83	AA	302	N/A	N/A	N/A	Organic Sulfide Feed Pump Discharge Pressure Transmitter Isolation Valve	Hershey	5	45	TMT 15	Ball	15	PN 16	CPVC	Socket	Handle	TJB56-L3-OFF-C-GNB-M-PID-0016	EPDM	VP-641		
92	0	0	GNB	84	AA	305	N/A	N/A	N/A	NaOCl Unloading Pump Suction Pressure Gauge Isolation Valve	Hershey	1	45	NaOCL	Ball	15	PN 16	CPVC	Socket	Handle	TJB56-L3-OFF-C-GNB-M-PID-0017	FPM	VP-641		
93	0	0	GNB	84	AA	301	N/A	N/A	N/A	NaOCl Unloading Pump Discharge Pressure Gauge Isolation Valve	Hershey	3	45	NaOCL	Ball	15	PN 16	CPVC	Socket	Handle	TJB56-L3-OFF-C-GNB-M-PID-0017	FPM	VP-641		
94	0	0	GNB	84	AA	302	N/A	N/A	N/A	NaOCl Storage tank Level gauge Isolation Valve A	Hershey	1	45	NaOCL	Ball	25	ANSI150	CPVC	Flange	Handle	TJB56-L3-OFF-C-GNB-M-PID-0017	FPM	VP-641		
95	0	0	GNB	84	AA	303	N/A	N/A	N/A	NaOCl Storage tank Level gauge Isolation Valve B	Hershey	1	45	NaOCL	Ball	25	ANSI150	CPVC	Flange	Handle	TJB56-L3-OFF-C-GNB-M-PID-0017	FPM	VP-641		
96	0	0	GNB	84	AA	304	N/A	N/A	N/A	NaOCl Calibration Column Isolation Valve	Hershey	1	45	NaOCL	Ball	15	PN 16	CPVC	Socket	Handle	TJB56-L3-OFF-C-GNB-M-PID-0017	FPM	VP-641		
97	0	0	GNB	85	AA	303	N/A	N/A	N/A	NaOCl Feed Pump A Discharge Pressure Gauge Isolation Valve	Hershey	5	45	NaOCL	Ball	15	PN 16	CPVC	Socket	Handle	TJB56-L3-OFF-C-GNB-M-PID-0017	FPM	VP-641		
98	0	0	GNB	85	AA	312	N/A	N/A	N/A	NaOCl Feed Pump B Discharge Pressure Gauge Isolation Valve	Hershey	5	45	NaOCL	Ball	15	PN 16	CPVC	Socket	Handle	TJB56-L3-OFF-C-GNB-M-PID-0017	FPM	VP-641		
99	0	0	GNB	86	AA	301	N/A	N/A	N/A	NaOCl Feed Pump Discharge Pulsation Damper Isolation Valve	Hershey	5	45	NaOCL	Ball	15	PN 16	CPVC	Socket	Handle	TJB56-L3-OFF-C-GNB-M-PID-0017	FPM	VP-641		
100	0	0	GNB	86	AA	302	N/A	N/A	N/A	NaOCl Feed Pump Discharge Pressure Transmitter Isolation Valve	Hershey	5	45	NaOCL	Ball	15	PN 16	CPVC	Socket	Handle	TJB56-L3-OFF-C-GNB-M-PID-0017	FPM	VP-641		
101	0	0	GNB	87	AA	301	N/A	N/A	N/A	SBS Storage tank Level gauge Isolation Valve A	Hershey	1	45	SBS	Ball	25	ANSI150	CPVC	Flange	Handle	TJB56-L3-OFF-C-GNB-M-PID-0018	EPDM	VP-641		
102	0	0	GNB	87	AA	302	N/A	N/A	N/A	SBS Storage tank Level gauge Isolation Valve B	Hershey	1	45	SBS	Ball	25	ANSI150	CPVC	Flange	Handle	TJB56-L3-OFF-C-GNB-M-PID-0018	EPDM	VP-641		
103	0	0	GNB	87	AA	303	N/A	N/A	N/A	SBS Calibration Column Isolation Valve	Hershey	1	45	SBS	Ball	15	PN 16	CPVC	Socket	Handle	TJB56-L3-OFF-C-GNB-M-PID-0018	EPDM	VP-641		
104	0	0	GNB	88	AA	303	N/A	N/A	N/A	SBS Feed Pump A Discharge Pressure Gauge Isolation Valve	Hershey	5	45	SBS	Ball	15	PN 16	CPVC	Socket	Handle	TJB56-L3-OFF-C-GNB-M-PID-0018	EPDM	VP-641		

Uncontrolled when printed or downloaded. Verify that this is the correct version before use.
Reproduction of part or all the contents of the document is prohibited without written permission from PT. Bhumi Jepara Service

Tanjung Jati B Expansion (Jawa-4) Coal Fired Steam Power Plant 2 x 1,000 MW
Valve List - Instrument Isolation Valve

Item No.	Valve Number (KKS)									Valve Description	Manufacturer / Country of Origin	Design Condition		Fluid Medium	Valve Type	Nominal Valve Size	Valve Rating	Body Material	End Connection	Valve Operation	Reference P&ID	Remarks	Seal	Valve Model	
	Level 0 (Total Plant)	Level 1 (System Code)			Level 2 (Equipment Code)			Level 3 (Component Code)				Press	Temp												
	G	F ₀	F ₁ F ₂ F ₃	F _N	A ₁ A ₂	A _N	A ₃	B ₁ B ₂	B _N			(barg)	(°C)												
105	0	0	GNB	88	AA	312	N/A	N/A	N/A	SBS Feed Pump B Discharge Pressure Gauge Isolation Valve	Hershey	5	45	SBS	Ball	15	PN 16	CPVC	Socket	Handle	TJB56-L3-OFF-C-GNB-M-PID-0018		EPDM	VP-641	
106	0	0	GNB	89	AA	301	N/A	N/A	N/A	SBS Feed Pump Discharge Pulsation Dampener Isolation Valve	Hershey	5	45	SBS	Ball	15	PN 16	CPVC	Socket	Handle	TJB56-L3-OFF-C-GNB-M-PID-0018		EPDM	VP-641	
107	0	0	GNB	89	AA	302	N/A	N/A	N/A	SBS Feed Pump Discharge Pressure Transmitter Isolation Valve	Hershey	5	45	SBS	Ball	15	PN 16	CPVC	Socket	Handle	TJB56-L3-OFF-C-GNB-M-PID-0018		EPDM	VP-641	
108	0	0	GNB	90	AA	303	N/A	N/A	N/A	Polymer Calibration Column Isolation Valve	Hershey	1	45	Polymer	Ball	15	PN 16	CPVC	Socket	Handle	TJB56-L3-OFF-C-GNB-M-PID-0019		EPDM	VP-641	
111	0	0	GNB	91	AA	303	N/A	N/A	N/A	Polymer Feed Pump A Discharge Pressure Gauge Isolation Valve	Hershey	5	45	Polymer	Ball	15	PN 16	CPVC	Socket	Handle	TJB56-L3-OFF-C-GNB-M-PID-0019		EPDM	VP-641	
112	0	0	GNB	91	AA	312	N/A	N/A	N/A	Polymer Feed Pump B Discharge Pressure Gauge Isolation Valve	Hershey	5	45	Polymer	Ball	15	PN 16	CPVC	Socket	Handle	TJB56-L3-OFF-C-GNB-M-PID-0019		EPDM	VP-641	
113	0	0	GNB	92	AA	301	N/A	N/A	N/A	Polymer Feed Pump Discharge Pulsation Dampener Isolation Valve	Hershey	5	45	Polymer	Ball	15	PN 16	CPVC	Socket	Handle	TJB56-L3-OFF-C-GNB-M-PID-0019		EPDM	VP-641	
114	0	0	GNB	92	AA	302	N/A	N/A	N/A	Polymer Feed Pump Discharge Pressure Transmitter Isolation Valve	Hershey	5	45	Polymer	Ball	15	PN 16	CPVC	Socket	Handle	TJB56-L3-OFF-C-GNB-M-PID-0019		EPDM	VP-641	

CONFIDENTIAL

Uncontrolled when printed or downloaded. Verify that this is the correct version before use.
Reproduction of part or all the contents of the document is prohibited without written permission from PT. Bhumi Jepra Service

VP-640

Double Union Ball Valve (소켓식 · 나사식 · 프랜지식 ·

Brand: Hershey
 Type: Ball Valve
 Connection: Socket (Union)

- Pressure rating : 150 PSI @73.4°F (23°C)
- Full port design
- Adjustable seat tightness
- Easy to disassemble by handle
- Less on-line down time for replacement / maintenance
- Actuator could be installed with inserted nut
- Standard product is without nut.
- 사용압력 : 150 PSI @73.4°F (23°C)
- 표준유량설계
- 더블유니온설계로 유니온과 밸브를 동시에 사용
- 시트의 신축성으로 적절한 조정 가능함
- 특수 장비의 사용 없이 빠른 설치가 가능
- 너트를 끼워 자동밸브(엑츄에이터)에 설치 가능
- 일반 제품에는 너트가 부착되어 있지 않음

Type	Size	Standard	Material	Seat	O-ring	End type
VP-640	1/2" ~ 4"	ANSI, JIS, DIN, BS	PVC	PTFE	EPDM, FPM	Socket, Threaded, Flanged
VP-641	1/2" ~ 4"	ANSI, JIS, DIN, BS	CPVC	PTFE	EPDM, FPM	Socket, Threaded, Flanged
VP-643	1/2" ~ 4"	ANSI, JIS, DIN, BS	PVDF	PTFE	EPDM, FPM	Socket, Threaded, Flanged
VP-644	1/2" ~ 4"	ANSI, JIS, DIN, BS	PP	PTFE	EPDM, FPM	Socket, Threaded, Flanged
VP-645	1/2" ~ 4"	ANSI, JIS, DIN, BS	ABS	PTFE	EPDM, FPM	Socket, Threaded, Flanged



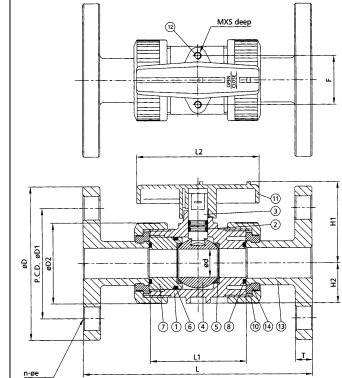
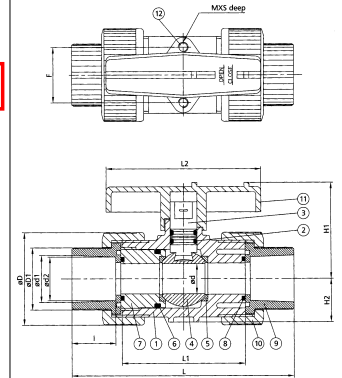
더블 유니온 볼 밸브

SIZE	15mm (1/2")	20mm (3/4")	25mm (1")	32mm (1-1/4")	40mm (1-1/2")	50mm (2")	65mm (2-1/2")	80mm (3")	100mm (4")
JIS	d1 22.30 d2 21.70 T 22.22	26.30 25.70 25.4	32.33 31.67 28.6	38.43 37.57 31.8	48.46 47.54 34.9	60.56 59.44 38.1	76.60 75.87 61	89.6 88.83 63	114.7 113.98 69
ANSI	d1 21.54 d2 21.23 T 22.22	26.87 26.57 25.4	33.65 33.27 32.3	42.42 42.04 40.3	48.56 48.11 45.3	60.63 60.17 58.3	73.38 72.85 70.3	89.31 88.7 86.3	114.76 114.07 110.3
DIN	d1 20.3 d2 19.9 T 16	26.9 24.9 19	32.3 31.9 22	40.3 39.9 26	48.56 49.9 31	60.63 62.9 38	73.38 74.9 44	89.31 89.9 51	114.76 109.9 61
BS	d1 21.5 d2 21.3 T 16.5	26.9 26.7 19.5	33.7 33.5 22.5	42.4 42.2 27	48.4 48.2 30	60.5 60.3 36	75.5 75.0 44.45	89.1 88.8 47.63	114.5 114.1 57.15
thd./in	PT 14 NPT 14	14 14	11 11	11 11	11 11	11 11	8 8	8 8	8 8
D	46.5	55	66	82	98	120	140	163	225
D1	31	37	45	54	65	79	92	108	146
d	13	18	23	30	38	48	61	69	99
L	114	135	149	168	175	208	275	304	332
L1	60	73	79	88	95	114	138	158	176
L2	78	92	100	110	121	147	180	224	278
H1	47	57	66	74	87	106	116	130	178
H2	21	26	33	39	41	53	-	-	-
F	30	33	40	47	52	70	-	-	-
M	M5	M6	M6	M8	M8	M8	-	-	-
S	7	8	11	11	11	15	-	-	-

NO.	PART	MATERIAL	Q'TY
1	BODY	UPVC, CPVC, PP, PVDF, ABS	1
2	STEM O-RING	EPDM, FPM	2
3	STEM	UPVC, CPVC, PP, PVDF, ABS	1
4	BALL	UPVC, CPVC, PP, PVDF, ABS	1
5	SEAT SEAL	PTFE	2
6	CARRIER O-RING	EPDM, FPM	1
7	SEAL CARRIER	UPVC, CPVC, PP, PVDF, ABS	1
8	UNION O-RING	EPDM, FPM	2
9	END CONNECTOR	UPVC, CPVC, PP, PVDF, ABS	2
10	UNION NUT	UPVC, CPVC, PP, PVDF, ABS	2
11	HANDLE	ABS, PP/HGF	1
12	INSERTED NUT	C3602	2,4

SIZE	15mm (1/2")	20mm (3/4")	25mm (1")	32mm (1-1/4")	40mm (1-1/2")	50mm (2")	65mm (2-1/2")	80mm (3")	100mm (4")
JIS	D 95 D1 70 L 143 n-Øe 4-15 T 13	100 75 172 4-15 15	125 90 187 4-19 15	135 100 190 4-19 16	140 105 212 4-19 16	155 120 234 4-19 16.5	175 140 259 4-19 18	185 150 304 4-19 19	210 175 372 8-19 19
ANSI	D 89 D1 61 L 143 n-Øe 4-16 T 13	98 70 172 4-16 15	108 79 187 4-16 15	117 89 190 4-16 16	127 99 212 4-16 17	152 121 234 4-19 17	178 140 259 4-19 18	191 152 304 4-19 18	229 191 372 8-19 20
DIN	D 95 D1 65 L 130 n-Øe 4-14 T 18.5	105 75 150 4-14 20	115 85 160 4-14 20	140 100 180 4-18 20	150 110 200 4-18 20	165 125 230 4-18 22	185 145 290 4-18 22.5	200 160 310 8-18 22.5	230 180 350 8-18 24
D2	46.5	55	66	82	98	120	140	163	225
d	13	18	23	30	38	48	61	69	99
L1	60	73	79	88	95	114	138	158	176
L2	78	92	100	110	121	147	180	224	278
H1	47	57	66	74	87	106	116	130	178
H2	21	26	33	39	41	53	-	-	-
F	30	33	40	47	52	70	-	-	-
M	M5	M6	M6	M8	M8	M8	-	-	-
S	7	8	11	11	11	15	-	-	-

NO.	PART	MATERIAL	Q'TY
1	BODY	UPVC, CPVC, PP, PVDF, ABS	1
2	STEM O-RING	EPDM, FPM	2
3	STEM	UPVC, CPVC, PP, PVDF, ABS	1
4	BALL	UPVC, CPVC, PP, PVDF, ABS	1
5	SEAT SEAL	PTFE	2
6	CARRIER O-RING	EPDM, FPM	1
7	SEAL CARRIER	UPVC, CPVC, PP, PVDF, ABS	1
8	UNION O-RING	EPDM, FPM	2
10	UNION NUT	UPVC, CPVC, PP, PVDF, ABS	2
11	HANDLE	ABS, PP/HGF	1
12	INSERTED NUT	C3602	2,4



Uncontrolled when printed or downloaded. Verify that this is the correct version before use.
 Reproduction of part or all the contents of the document is prohibited without written permission from PT. Bhumijepara Service

VP-640

Double Union Ball Valve (소켓식 · 나사식 · 프랜지식 ·

Brand: Hershey
Type: Ball Valve
Connection: Flange

더블 유니온 볼 밸브

- Pressure rating : 150 PSI @73.4°F (23°C)
- Full port design
- Adjustable seat tightness
- Easy to disassemble by handle
- Less on-line down time for replacement / maintenance
- Actuator could be installed with inserted nut
- Standard product is without nut.

- 사용압력 : 150 PSI @73.4°F (23°C)
- 표준유량설계
- 더블유니온설계로 유니온과 밸브를 동시에 사용
- 시트의 신축성으로 적절한 조정 가능함
- 특수 장비의 사용 없이 빠른 설치가 가능
- 너트를 끼워 자동밸브(엑츄에이터)에 설치 가능
- 일반 제품에는 너트가 부착되어 있지 않음

Type	Size	Standard	Material	Seat	O-ring	End type
VP-640	1/2" ~ 4"	ANSI, JIS, DIN, BS	PVC	PTFE	EPDM, FPM	Socket, Threaded, Flanged
VP-641	1/2" ~ 4"	ANSI, JIS, DIN, BS	CPVC	PTFE	EPDM, FPM	Socket, Threaded, Flanged
VP-643	1/2" ~ 4"	ANSI, JIS, DIN, BS	PVDF	PTFE	EPDM, FPM	Socket, Threaded, Flanged
VP-644	1/2" ~ 4"	ANSI, JIS, DIN, BS	PP	PTFE	EPDM, FPM	Socket, Threaded, Flanged
VP-645	1/2" ~ 4"	ANSI, JIS, DIN, BS	ABS	PTFE	EPDM, FPM	Socket, Threaded, Flanged

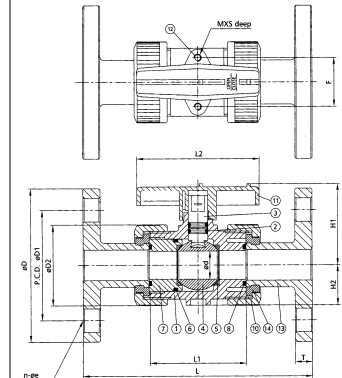
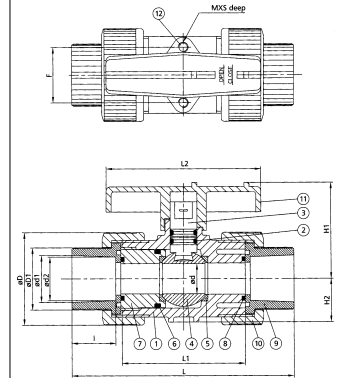


SIZE	15mm (1/2")	20mm (3/4")	25mm (1")	32mm (1-1/4")	40mm (1-1/2")	50mm (2")	65mm (2-1/2")	80mm (3")	100mm (4")
JIS	d1 22.30 d2 21.70 I 22.22	26.30 25.70 25.4	32.33 31.67 28.6	38.43 37.57 31.8	48.46 47.54 34.9	60.56 59.44 38.1	76.60 75.87 61	89.6 88.83 63	114.7 113.98 69
ANSI	d1 21.54 d2 21.23 I 22.2	26.87 26.57 25.40	33.65 33.27 28.58	42.42 42.04 37.5	48.56 48.11 40.3	60.63 60.17 50.3	73.38 72.85 63.3	89.31 88.7 75.3	114.76 114.07 90.3
DIN	d1 21.5 d2 21.3 I 16.5	26.9 26.7 19.5	33.7 33.5 22.5	42.4 42.2 27	48.4 48.2 30	60.5 60.3 36	75.5 75.0 44.45	89.1 88.8 47.63	114.5 114.1 57.15
BS	d1 21.5 d2 21.3 I 16.5	26.9 26.7 19.5	33.7 33.5 22.5	42.4 42.2 27	48.4 48.2 30	60.5 60.3 36	75.5 75.0 44.45	89.1 88.8 47.63	114.5 114.1 57.15
thd./in	PT 14 NPT 14	14 14	11 11.5	11 11.5	11 11.5	11 11.5	8 8	11 11	11 11
D	46.5	55	66	82	98	120	140	163	225
D1	31	37	45	54	65	79	92	108	146
d	13	18	23	30	38	48	61	69	99
L	114	135	149	168	175	208	275	304	332
L1	60	73	79	88	95	114	138	158	176
L2	78	92	100	110	121	147	180	224	278
H1	47	57	66	74	87	106	116	130	178
H2	21	26	33	39	41	53	-	-	-
F	30	33	40	47	52	70	-	-	-
M	M5	M6	M6	M8	M8	M8	-	-	-
S	7	8	11	11	11	15	-	-	-

NO.	PART	MATERIAL	Q'TY
1	BODY	UPVC, CPVC, PP, PVDF, ABS	1
2	STEM O-RING	EPDM, FPM	2
3	STEM	UPVC, CPVC, PP, PVDF, ABS	1
4	BALL	UPVC, CPVC, PP, PVDF, ABS	1
5	SEAT SEAL	PTFE	2
6	CARRIER O-RING	EPDM, FPM	1
7	SEAL CARRIER	UPVC, CPVC, PP, PVDF, ABS	1
8	UNION O-RING	EPDM, FPM	2
9	END CONNECTOR	UPVC, CPVC, PP, PVDF, ABS	2
10	UNION NUT	UPVC, CPVC, PP, PVDF, ABS	2
11	HANDLE	ABS, PP/HGF	1
12	INSERTED NUT	C3902	2,4

SIZE	15mm (1/2")	20mm (3/4")	25mm (1")	32mm (1-1/4")	40mm (1-1/2")	50mm (2")	65mm (2-1/2")	80mm (3")	100mm (4")
JIS	D 95 D1 70 L 143 n-Øe 4-15 T 13	100 75 172 4-15 15	125 90 187 4-19 15	135 100 190 4-19 16	140 105 212 4-19 16	155 120 234 4-19 16.5	175 140 259 4-19 18	185 150 304 8-19 19	210 175 372 8-19 19
ANSI	D 89 D1 61 L 143 n-Øe 4-16 T 13	98 70 172 4-16 15	108 79 187 4-16 15	117 89 190 4-16 16	127 99 212 4-16 17	152 121 234 4-19 17	178 140 259 4-19 18	191 152 304 8-19 19	229 191 372 8-19 20
DIN	D 95 D1 65 L 130 n-Øe 4-14 T 18.5	105 75 150 4-14 20	115 85 160 4-14 20	140 100 180 4-18 20	150 110 200 4-18 22	165 125 230 4-18 22	185 145 290 4-18 22.5	200 160 310 8-18 24	220 180 350 8-18 24
D2	46.5	55	66	82	98	120	140	163	225
d	13	18	23	30	38	48	61	69	99
L1	60	73	79	88	95	114	138	158	176
L2	78	92	100	110	121	147	180	224	278
H1	47	57	66	74	87	106	116	130	178
H2	21	26	33	39	41	53	-	-	-
F	30	33	40	47	52	70	-	-	-
M	M5	M6	M6	M8	M8	M8	-	-	-
S	7	8	11	11	11	15	-	-	-

NO.	PART	MATERIAL	Q'TY
1	BODY	UPVC, CPVC, PP, PVDF, ABS	1
2	STEM O-RING	EPDM, FPM	2
3	STEM	UPVC, CPVC, PP, PVDF, ABS	1
4	BALL	UPVC, CPVC, PP, PVDF, ABS	1
5	SEAT SEAL	PTFE	2
6	CARRIER O-RING	EPDM, FPM	1
7	SEAL CARRIER	UPVC, CPVC, PP, PVDF, ABS	1
8	UNION O-RING	EPDM, FPM	2
10	UNION NUT	UPVC, CPVC, PP, PVDF, ABS	2
11	HANDLE	ABS, PP/HGF	1
12	INSERTED NUT	C3902	2,4



Uncontrolled when printed or downloaded. Verify that this is the correct version before use.
Reproduction of part or all the contents of the document is prohibited without written permission from PT. Bhumijepara Service