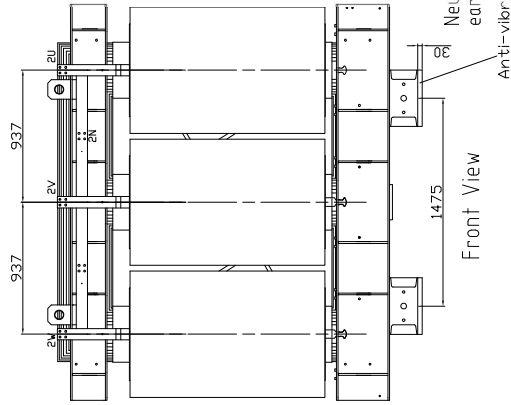
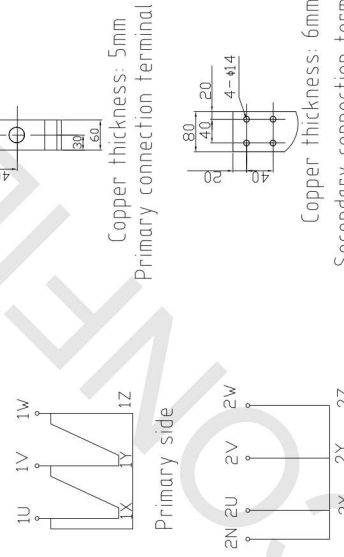
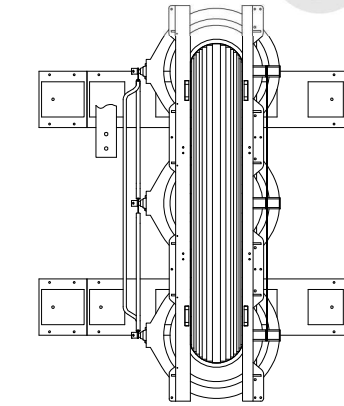
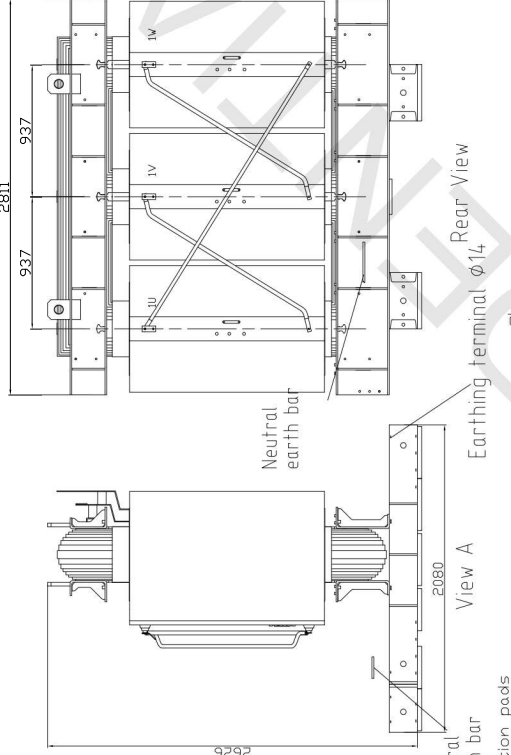


00BCT15	3KV ATR COMPRESSOR BOARD TRANSFORMER A
00BCT16	3KV ATR COMPRESSOR BOARD TRANSFORMER B

Secondary side



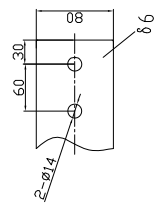
Primary side



Winding material	Copper
Vector group	Dyn11
Cooling method	AN

Drawing type : Trihal-6300KVA/10KV/3.15KV (Body)

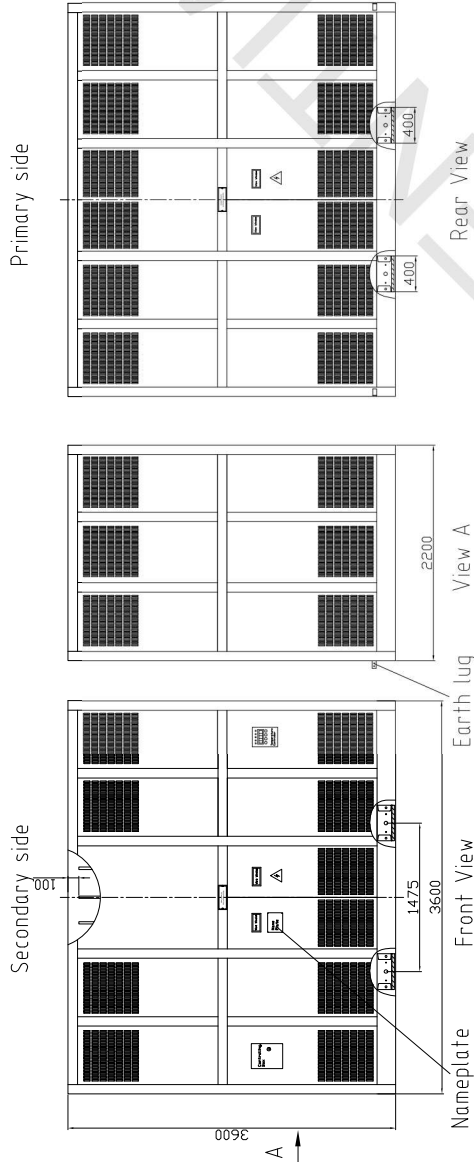
Detail Of Neutral earth bar



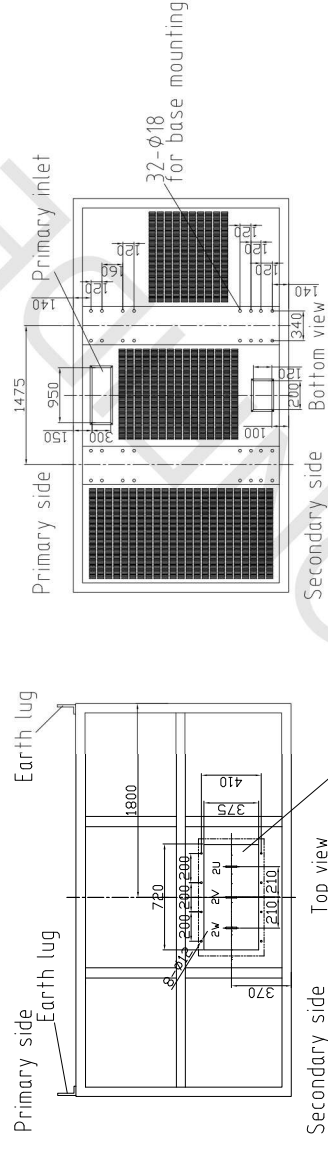
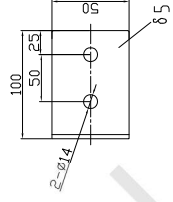
1	05/DEC/18	ISSUED FOR CONSTRUCTION	YWB	YWB	MFS	MFS	GHL
0	09/MAY/18	ISSUED FOR CONSTRUCTION	YWB	YWB	MFS	MFS	GHL
NO DD/MM/YY REVISIONS AND RECORD OF ISSUE BY DES CHK DPE APPD							
OWNER PT. Bhumi Jati Power							
PROJECT TITLE TANJUNG JATI B EXPANSION (JAWA-4) COAL-FIRED STEAM POWER PLANT 2 x 1,000 MW							
OWNER'S ENGINEER PÖYRY							
EPC CONTRACTORS Sumitomo Corporation PT. Wasa Mitra Engineering AvantPower Japan Ltd.							
PROJECT DRAWING NO. TJB56-L3-OFF-C-00-E-DRD-9030							
REV. 1							
DISTRIBUTION TRANSFORMERS OUTLINE DRAWINGS (FINAL)							
1:100	0	2000	4000	6000	8000	UNITS	VIEW
						SCALE IN MILLIMETERS	MM
						BY	MFS
APPD/ENGR		MFS		DD/MM/YY		05/DEC/18	
CHKD		YWB		SPEC NAME		UNIT AND STATION TRANSFORMER	
EPC LOT3 SUB-CONTRACTOR		BLACK & VEATCH		SPEC NO.		63.3804	
EPC LOT3 SUB-CONTRACTOR DRAWING NO.		OCN1609120-K		SHEET NO.		16 OF 38	
Schneider Electric		REV.		1			

Uncontrolled when printed or downloaded. Verify that this is the correct version before use.
Reproduction of part or all the contents of the document is prohibited without written permission from PT. Bhumi Jepara Service

00BCT15	3KV AIR COMPRESSOR BOARD TRANSFORMER A
00BCT16	3KV AIR COMPRESSOR BOARD TRANSFORMER B



Detail of earth lug



Technical requirement

1. Protection level: IP21;
2. Color: RAL7032;
3. Total weight: 15950kg, deviation: ±10%;
4. Enclosure and extended bus shall be installed on site;
5. Material of the enclosure: steel;
6. Material thickness: 2mm;

- Copper thickness: 10mm
- Soft connection
- Secondary connection terminal

Drawing type : Trihal-6300KVA/10KV/3.15KV (Enclosure)

1	05/DEC/18	ISSUED FOR CONSTRUCTION	YWB	MFS	MFS	GHL
0	09/MAY/18	ISSUED FOR CONSTRUCTION	YWB	MFS	MFS	GHL
NO 1DD/MMM/YY REVISIONS AND RECORD OF ISSUE BY DES:CHK0/PDE:APPD						
OWNER PT.Bhumi Jati Power						
PROJECT TITLE TANJUNG JATI B EXPANSION (JAWA-4) COAL-FIRED STEAM POWER PLANT 2 x 1,000 MW						
OWNER'S ENGINEER PÖYRY						
EPC CONTRACTORS Sumitomo Corporation PT. Wasa Mitra Engineering AvantPower Japan Ltd.						
PROJECT DRAWING NO. TJB56-L3-OFF-C-00-E-DRD-9030						
REV. 1						
DISTRIBUTION TRANSFORMERS OUTLINE DRAWINGS (FINAL)						
1:100	0	2000	4000	6000	8000	10000
SCALE IN MILLIMETERS						
APPD/ENGR	MFS	BY		MFS		
CHKD	YWB	DD/MMM/YY		05/DEC/18		
EPC LOT3 SUB-CONTRACTOR BLACK & VEATCH Building a world of difference			SPEC NAME UNIT AND STATION TRANSFORMER		SPEC NO. 63.3804	
Schneider Electric			EPC LOT3 SUB-CONTRACTOR DRAWING NO. GCN1609120-K		SHEET NO. 17 OF 38	
REV. 1						

Uncontrolled when printed or downloaded. Verify that this is the correct version before use.
Reproduction of part or all the contents of the document is prohibited without written permission from PT. Bhumi Jepara Servis