

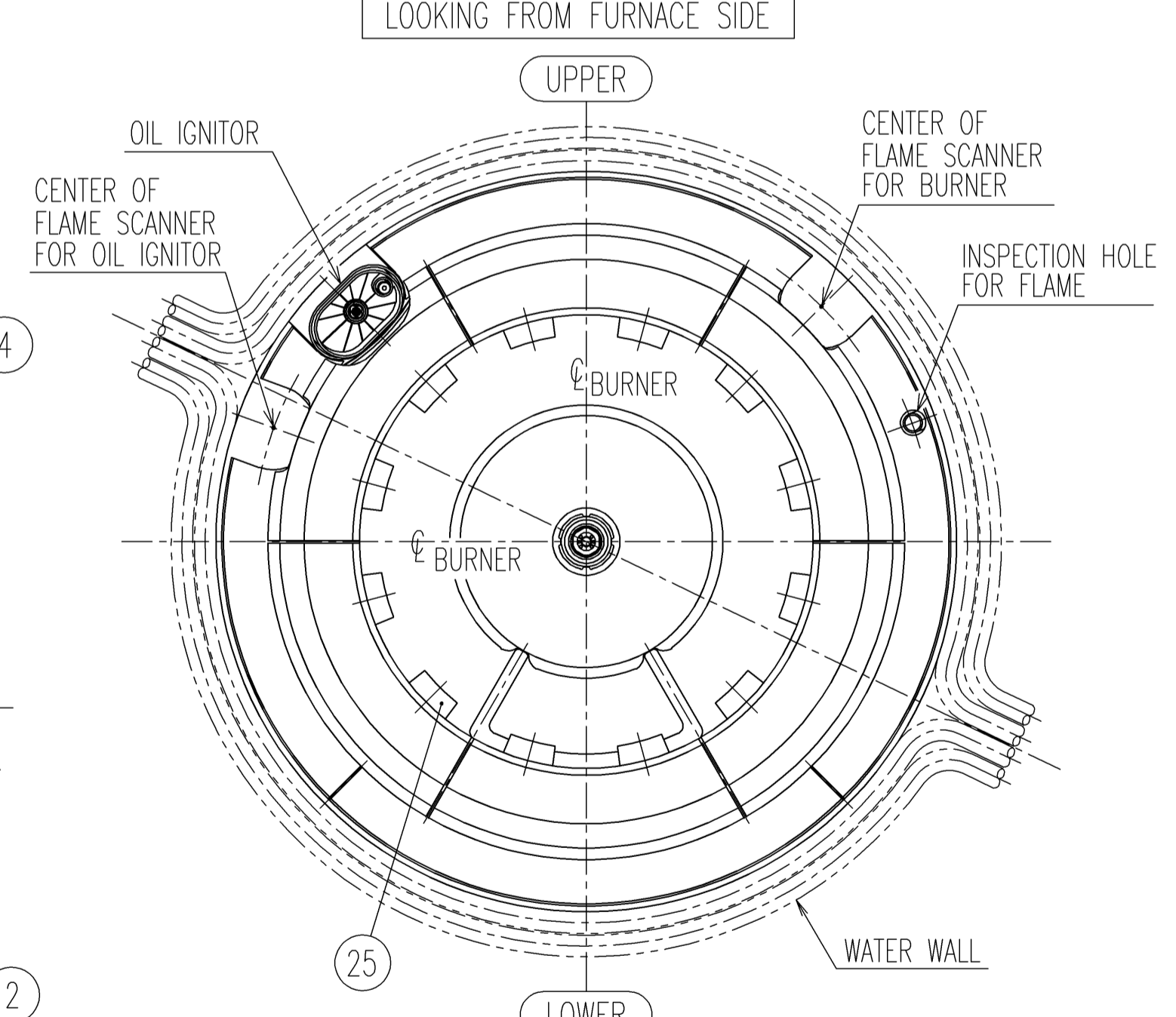
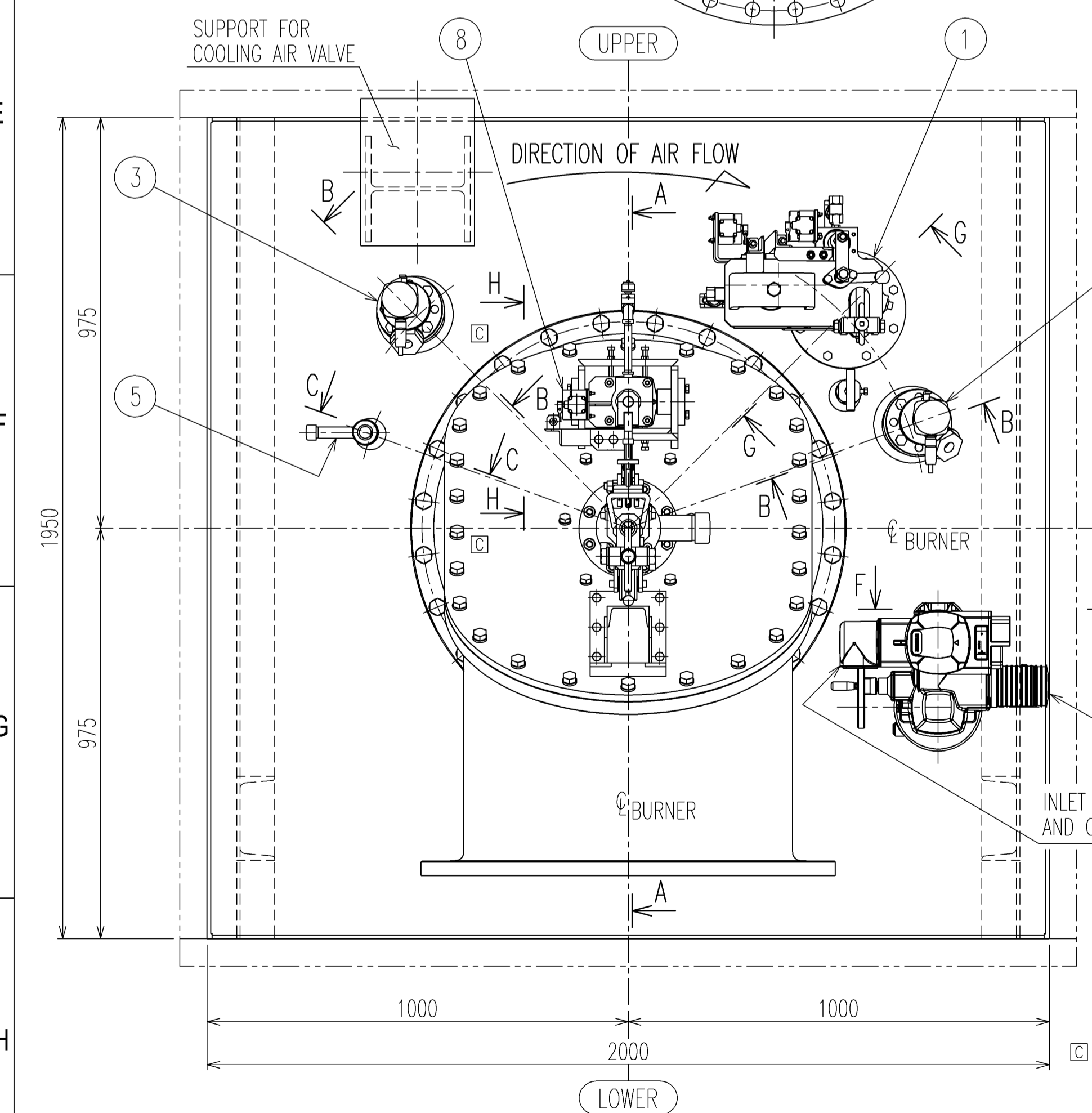
REVISIONS						
REV.	DESCRIPTION	ZONE	REVISED	CHECKED	APPROVED	DATE
A	REVISED BY THE CUSTOMER'S COMMENT etc.	---	Y.MORI SEP.21.2017	H.KIKUCHI SEP.21.2017	S.MITO	SEP.21.2017
B	CHANGED THE CUSTOMER'S STATUS.	---	Y.MORI OCT.16.2017	H.KIKUCHI OCT.16.2017	S.MITO	OCT.16.2017
C	REVISED BY THE CUSTOMER'S COMMENT etc.	---	Y.MORI NOV.21.2017	H.KIKUCHI NOV.22.2017	S.MITO	NOV.24.2017
D	SUBMISSION FOR CONSTRUCTION.	---	Y.MORI JAN.22.2018	H.KIKUCHI JAN.22.2018	S.MITO	JAN.22.2018
E	ISSUED BY DESIGN PROGRESS.	---	Y.MORI MAY.30.2018	H.KIKUCHI MAY.30.2018	S.MITO	MAY.30.2018
F	SUBMISSION FOR AS BUILT.	---	Y.MORI FEB.15.2022	Indicated in upper margin	Indicated in upper margin	Indicated in upper margin

**SPECIFICATION OF COAL BURNER (WITH OIL BURNER)**

TYPE	NR3 BURNER
CAPACITY(COAL)	16,150 kg/h [A]
QUANTITY	18 SETS / BOILER
TURN DOWN RATIO	APPROX. 1:4 [C]

- REFERENCE DRAWINGS**
- TJB56-L2-OFF-U5-HHA-M-DRD-0001 (KU1-844-097) [ARRANGEMENT OF BOILER FRONT BURNERS]
  - TJB56-L2-OFF-U5-HHA-M-DRD-0002 (KU1-844-098) [ARRANGEMENT OF BOILER REAR BURNERS]
  - TJB56-L2-OFF-U5-HHA-M-DRD-0004 (KU1-844-100) [ASSEMBLY DRAWING OF PULVERIZED COAL BURNER (2/2)]
  - TJB56-L2-OFF-U5-HHA-M-DRD-0006 (KU1-844-102) [ASSEMBLY DRAWING OF OIL BURNER]
  - TJB56-L2-OFF-U5-HHA-M-DRD-0007 (KU1-844-103) [ASSEMBLY DRAWING OF OIL IGNITOR]

- NOTES**
- THIS DRAWING SHOWS THE PULVERIZED COAL BURNER (WITH OIL BURNER). ON THIS DRAWING "D-5 BURNER (50HHA04V105)" ARE SHOWN. OTHER BURNERS ARE REFER TO ARRANGEMENT DRAWINGS.
  - ON THIS DRAWING → MARK SHOWS THE FLOW OF AIR AND FUEL.



**LIST (FOR ONE BURNER)**

No.	N A M E	Q.T.Y	MATERIAL	REMARKS
1	OIL IGNITOR	1	---	---
2	REGISTER DRIVE	1	---	ELECTRIC TYPE
3	FLAME SCANNER FOR BURNER	1	---	---
4	FLAME SCANNER FOR OIL IGNITOR	1	---	---
5	INSPECTION HOLE FOR FLAME	1	SUS304TP,SS400	---
6	OIL BURNER	1	---	---
7	OIL BURNER DRIVING EQUIPMENT	1	---	---
8	LIMIT SWITCH (FOR OIL BURNER INSERT)	1	---	---
9	GUIDE ROLLER	1	SUS304,SS400	---
10	GUIDE RAIL	1	SS400	---

**LIST (FOR ONE BURNER)**

No.	N A M E	Q.T.Y	MATERIAL	REMARKS
11	PRIMARY AIR SLEEVE	1	SUS309S,SS400	---
12	BURNER NOZZLE	1	SUS309S	---
13	REGULATION ROD	1	STPT370,SUS310STP	[E]
14	PRIMARY ELBOW	1	FC200	---
15	WEARING PLATE	1	HIGH CHROMIUM ANTI-EROSION CAST IRON	[C]
16	ROD PROTECTOR	1	HIGH CHROMIUM ANTI-EROSION CAST IRON	---
17	VENTURI (1)	1	HIGH CHROMIUM ANTI-EROSION CAST IRON	---
18	VENTURI (2)	1	HIGH CHROMIUM ANTI-EROSION CAST IRON	---
19	LEG	1	HIGH CHROMIUM ANTI-EROSION CAST IRON	---
20	PC CONCENTRATOR (1)	1	HIGH CHROMIUM ANTI-EROSION CAST IRON	---
21	PC CONCENTRATOR (2)	1	SCH13-S	[A]
22	CERAMIC PROTECTOR	1	CERAMIC	---
23	COOLING AIR BOX	1	SUS304	---
24	FLAME STABILIZING RING	1SET	SCH13-S	[A] 6 DIVISION
25	CERAMIC EDGE	12	CERAMIC	[E]
26	FRONT PLATE	1	SS400	---
27	INSULATION	1	MINERAL FIBER	---
28	INSULATION COVER	1SET	SS400	---
29	SECONDARY AIR SLEEVE	1	SUS304,SS400	---
30	GUIDE SLEEVE	1SET	SUS309S	4 DIVISION
31	TERTIARY AIR REGISTER	1	SUS304,SS400	---
32	TERTIARY AIR REGISTER VANE	24	SS400	---
33	PRIMARY ELBOW COVER PLATE	1	SS400	---
34	BURNER THROAT PLATE	1	SUS304	---
35	SUPPORT	1SET	SS400	---
36	UNIVERSAL JOINT AND SHAFT	1SET	SUS304,SS400	---
37	ADJUSTING BOLT AND NUT	1SET	SS400	---
38	GLASS (FOR INSPECTION DOOR)	1	HEAT RESISTANCE GLASS	---
39	HEAT RESISTANT ROPE	1SET	NON ASBESTOS	---
40	HEAT RESISTANT ROPE	2SETS	NON ASBESTOS	---
41	□ 12.7 PACKING (FOR ROD)	2	NON ASBESTOS	---
42	□ 6.4 PACKING (FOR REGISTER DRIVE)	3	NON ASBESTOS	---
43	1.5t PACKING (FOR OIL IGNITOR)	1	NON ASBESTOS	---
44	1.5t PACKING (FOR ELBOW COVER)	1	NON ASBESTOS	---
45	1.5t PACKING (FOR ELBOW COVER SEAL)	1	NON ASBESTOS	---
46	1.5t PACKING (FOR PRIMARY AIR SLEEVE)	1	NON ASBESTOS	---
47	3.2t PACKING (FOR VENTURI)	1	NON ASBESTOS	---
48	1.5t PACKING (FOR REGULATION ROD)	1	NON ASBESTOS	---
49	1.5t PACKING (FOR INSPECTION DOOR)	2	NON ASBESTOS	---
50	1.5t PACKING (FOR FLAME SCANNER)	2	NON ASBESTOS	---
51	1.5t PACKING (FOR VENTURI)	1	NON ASBESTOS	---

2	FEB.15.2022	ISSUED FOR AS BUILT	Y.MORI	H.KIKUCHI	K.KAMEDA
1	MAY.30.2018	ISSUED FOR CONSTRUCTION	Y.MORI	H.KIKUCHI	S.MITO
0	JAN.22.2018	ISSUED FOR CONSTRUCTION	Y.MORI	H.KIKUCHI	S.MITO

OWNER: **PT. Bhumi Jati Power**

PROJECT TITLE: **TANJUNG JATI B EXPANSION (JAWA-4) COAL FIRED STEAM POWER PLANT 2 x 1,000 MW**

OWNER'S ENGINEER: **PÖYRY**

EPC CONTRACTORS: **Sumitomo Corporation**, **PT. Wasa Mitra Engineering**, **AvantPower Japan Ltd.**

PROJECT DRAWING NO.: TJB56-L2-OFF-U5-HHA-M-DRD-0003

REV: 2

ORDER: WBS Doc. CODE: ---

ITEM: Project DWG. No. ---

TEAM CODE: 116503030000

Drawn: Y.MORI AUG.17.2017

Checked: H.KIKUCHI AUG.17.2017

Approved: S.MITO

Date: AUG.17.2017

Scale: 1:10

DWG. No.: KU1-844-099

Rev. F

Sheet No. 1/1

Department: **Combustion Engineering Section**, **Kure Boiler Engineering Department**

**MITSUBISHI HITACHI POWER SYSTEMS**

ENGINEERING HEADQUARTERS/BOILER TECHNOLOGY INTEGRATION DIVISION