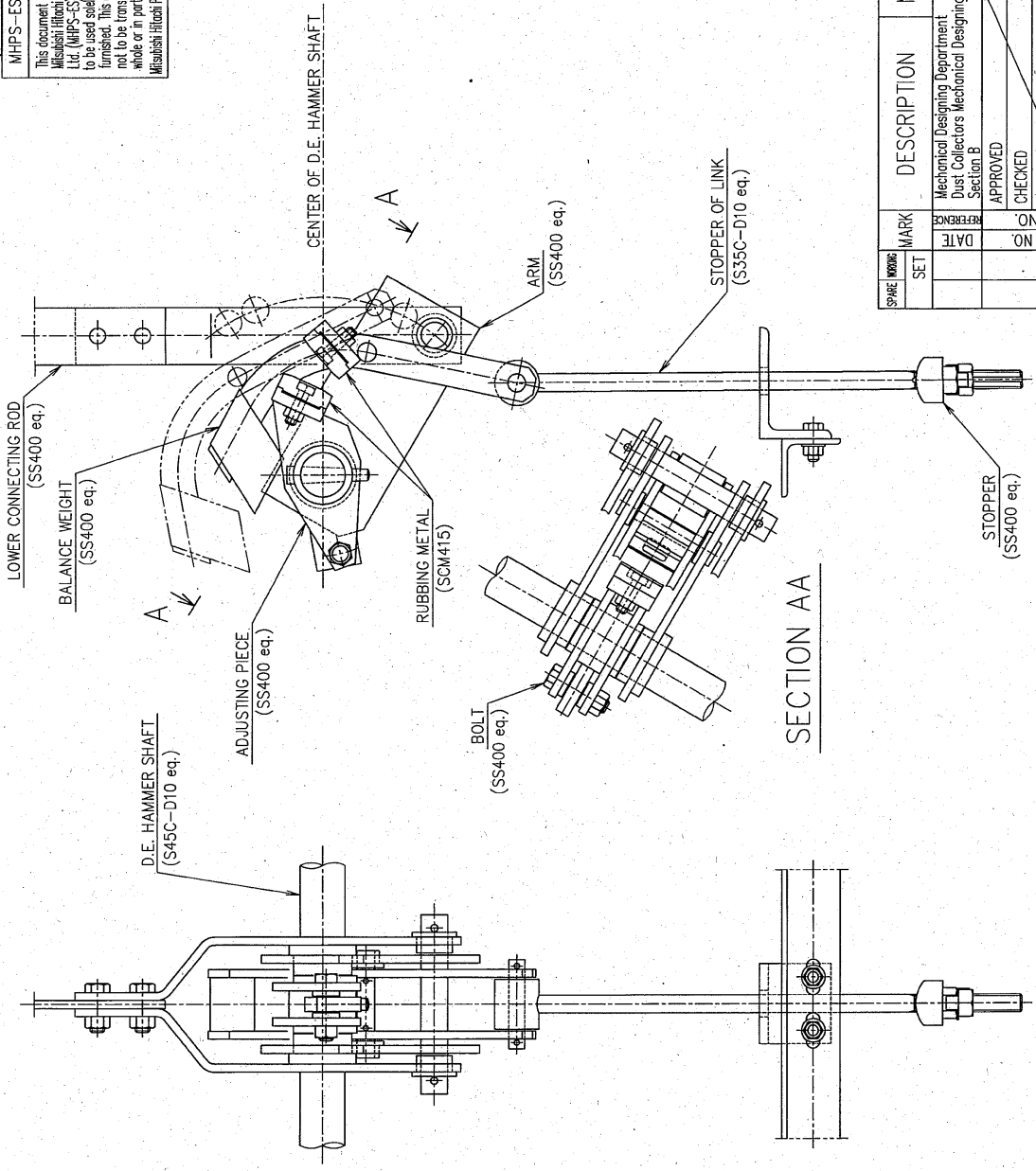


ISO METRIC SCREW THREADS
PLAN RECORD

3rd ANGLE PROJECTION

MHPS-ES PROPRIETARY CLASS B
This document contains information Proprietary to Mitsubishi Power Systems Environmental Solutions, Ltd. (MHPS-ES). It is submitted in confidence and is to be used solely for the purpose for which it is furnished. This document and such information are not to be transmitted, disclose or used otherwise in whole or in part without authorization of MHPS-ES, Mitsubishi Hitachi Power Systems Environmental Solutions, Ltd.



SPACE	WORKING SET	MARK	DESCRIPTION	MATERIAL	TEST	WORKING	SPARE	PER PECE	TOTAL	REMARKS
NO.	NO.	NO.	NO.	NO.	NO.	NO.	NO.	NO.	NO.	NO.
			Mechanical Designing Department Dust Collectors Mechanical Designing Section B							
			APPROVED							
			CHECKED							
			DRAWN							
			SCALE	1/5						
		OWNER	ORDER NO.							
			ITEM NO.							
			DRAWING NO.	C3-48468-07						
			REV							
			TOTAL							
			OPTION A3							