

THE CONTENTS OF HYUNWOO INDUSTRIAL'S DRAWING ARE SUBJECT TO CHANGE WITHOUT ANY PRIOR NOTICE TO IMPROVE QUALITY AND PERFORMANCE

BILL OF MATERIAL

No	DESCRIPTION	MATERIAL	Q'TY	REMARK
01	BODY	A216 Gr. WCB	1	
02	END CAP	A216 Gr. WCB	1	
03	BALL	A351 Gr. CF8	1	
04	STEM	A276 Gr. 304	1	
05	BODY BOLT	A193 Gr. B7	1 SET	
06	SEAT	PTFE	2	
07	BACK SEAT	PTFE	1	
08	PACKING	PTFE	1 SET	
09	GLAND	A351 Gr. CF8	1	
10	BRACKET	A351 Gr. CF8	1 SET	
11	ACTUATOR	ASSEMBLY	1 SET	HP-115S
12	DEGLUTCH GEAR OPERATOR	ASSEMBLY	1 SET	H60-050C
13	LIMIT SWITCH BOX	ASSEMBLY	1 SET	APL-414N(C)
14	SOLENOID VALVE	ASSEMBLY	1 SET	JKHB320G184MO
15	FILTER REGULATOR	ASSEMBLY	1 SET	P31EA22EGMBNGP
16	SPEED CONTROLLER	ASSEMBLY	1 SET	KSC201-02
17	SPEED CONTROLLER+BLENDER	ASSEMBLY	1 SET	JASN-02
18	QUICK EXHAUST VALVE	ASSEMBLY	1 SET	KQE201-02
19	SILENCER	ASSEMBLY	2 EA	SM 02
20	TUBE	TYPE 316L	1 SET	

- PRESSURE RATING : ASME CLASS 300
 - CONNECTION DIMENSION : ASME B 16.5 RF ENDS
 - FACE TO FACE : ASME B 16.10
 - OTHER DIMENSION : MAKER STANDARD
 - SEAT TYPE : PTFE SEAT
 - TEST INSPECTION : API 598

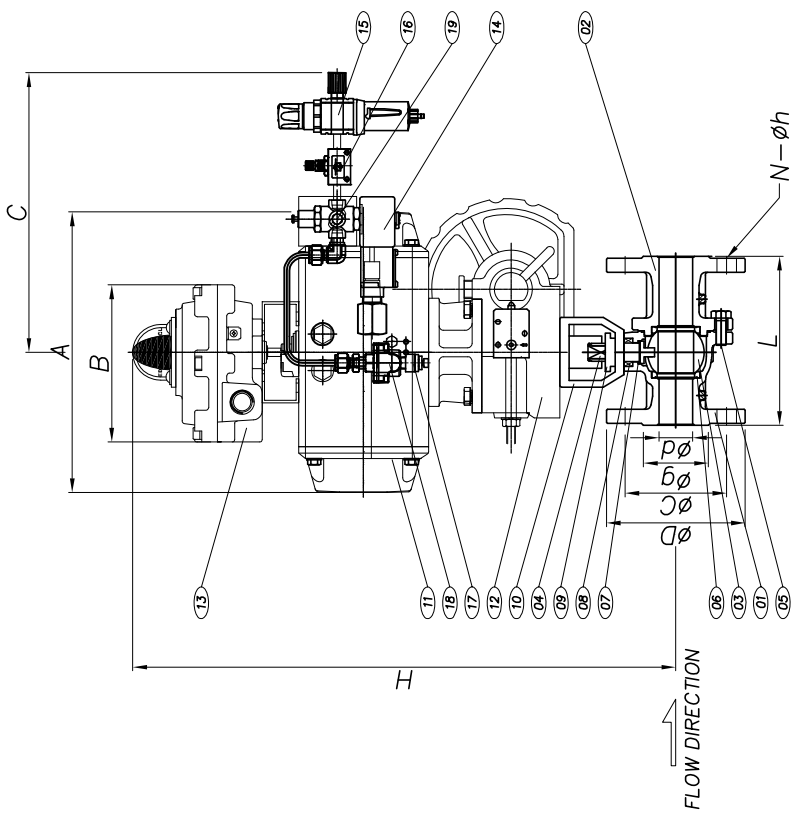
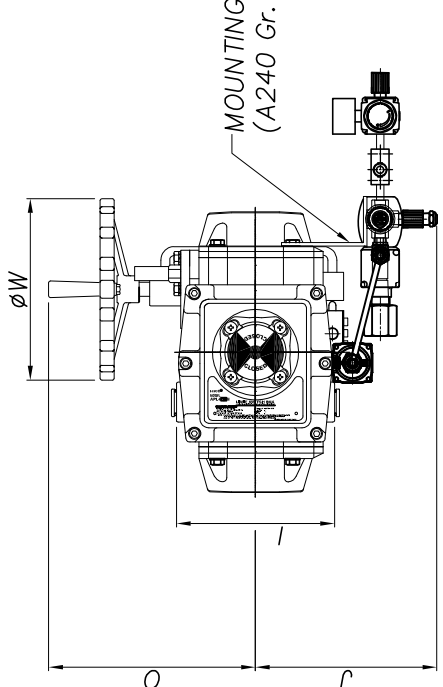
- DIMENSION TABLE

UNIT : mm

SIZE	L	ød	øg	øC	øD	H	øW
DN40(1 1/2")	190	38	73	114.5	156	612	204

SIZE	A	B	C	J	I	O	N-øh
DN40(1 1/2")	316	177	315	205	178	233	4-ø22

NOTES:
 1. ALL DIMENSIONS ARE IN MILLIMETERS, EXCEPT IN () ARE IN INCHES.
 2. ALL DIMENSIONS WITHOUT STATED TOLERANCES ARE FOR REFERENCE ONLY.



* ELECTRIC SIGNAL FAIL POSITION : CLOSE
 * AIR FAIL POSITION : CLOSE
 * DESIGN PRESSURE : 38.0 barg
 DESIGN TEMPERATURE : 45°C
 * VALVE WEIGHT : 47 kg
 * PAINTING SPECIFICATION : SP-10
 1st' Inorganic Zinc Primer : DFT 50µm
 2nd' High Build Epoxy : DFT 25µm
 COLOR : Clay Brown RAL 8003
 * VALVE ACTION TIME
 OPEN : 5 ~ 7 SEC.
 CLOSE : LESS THAN 3 SEC.

XTJB 5.6
 DWG. No. KU3-982-819
 50HHF35AA211, 50HHF35AA231, 50HHF35AA251
 50HHF36AA211, 50HHF36AA231, 50HHF36AA251
 50HHF38AA211, 50HHF38AA231, 50HHF38AA251
 60HHF35AA211, 60HHF35AA231, 60HHF35AA251
 60HHF36AA211, 60HHF36AA231, 60HHF36AA251
 60HHF38AA211, 60HHF38AA231, 60HHF38AA251

Item No.1 WARMUP OIL BURNER INLET SHUT OFF VALVE

HYUNWOO INDUSTRIAL CO.,LTD.
 BALL VALVE-PNEUMATIC ASSEMBLY DRAWING
 DRAWING No. WCB-040-SA
 PAPER A4 SCALE SCALE FREE (1:8) SHEET 1/1