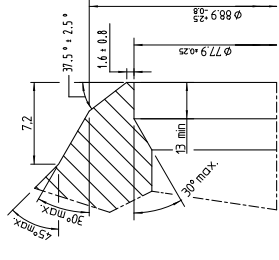


ITEM	QTY.	DESCRIPTION	MATERIAL
01	1	BODY	ASTM A216 WCB / SA216 WCB
02	1	BONNET	ASTM A216 WCB / SA216 WCB
03	1	WEDGE	A217 C415
04	1	STEM	ASTM A479 410
05	2	SEAT RING	ASTM A105 + STELLITE 6
06	1 SET	BONNET BOLT	ASTM A194 2H
07	1 SET	BONNET NUT	SS + GRAPHITE
08	1	GASKET	INCONEL + GRAPHITE
09	1 SET	PACKING	ASTM A479 410
10	1	BACKSEAT	ASTM A479 410
11	1	GLAND RING	ASTM A216 WCB
12	1	GLAND FLANGE	ASTM A216 WCB
13	2	PIN	ASTM A479 410
14	2	GLAND BOLT	ASTM A193 B7
15	2	GLAND NUT	ASTM A194 2H
16	1	YOKO SLEEVE	A4396F DZC
17	1	SLEEVE NUT	S1020
18	1	HANDWHEEL	A536
19	1	HANDWHEEL NUT	S1020
23	1	NAME PLATE	SS
25	1	GREASE NIPPLE	STEEL CR PLATED
63	1	COVER TUBE	A53 ZINC PLATED
65	1	POSITION IND.	PLASTIC
99	1	NHFS NAME PLATE	SS304 (SEE STD NAMEPLATE DRAWING)

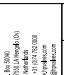
TAG CODES:
 UNIT 60:
 50HRR10AA001
 60HRR20AA001
 60HRR30AA001
 50HRR30AA001
 60HRR40AA001
 50HRR50AA001
 60HRR60AA001



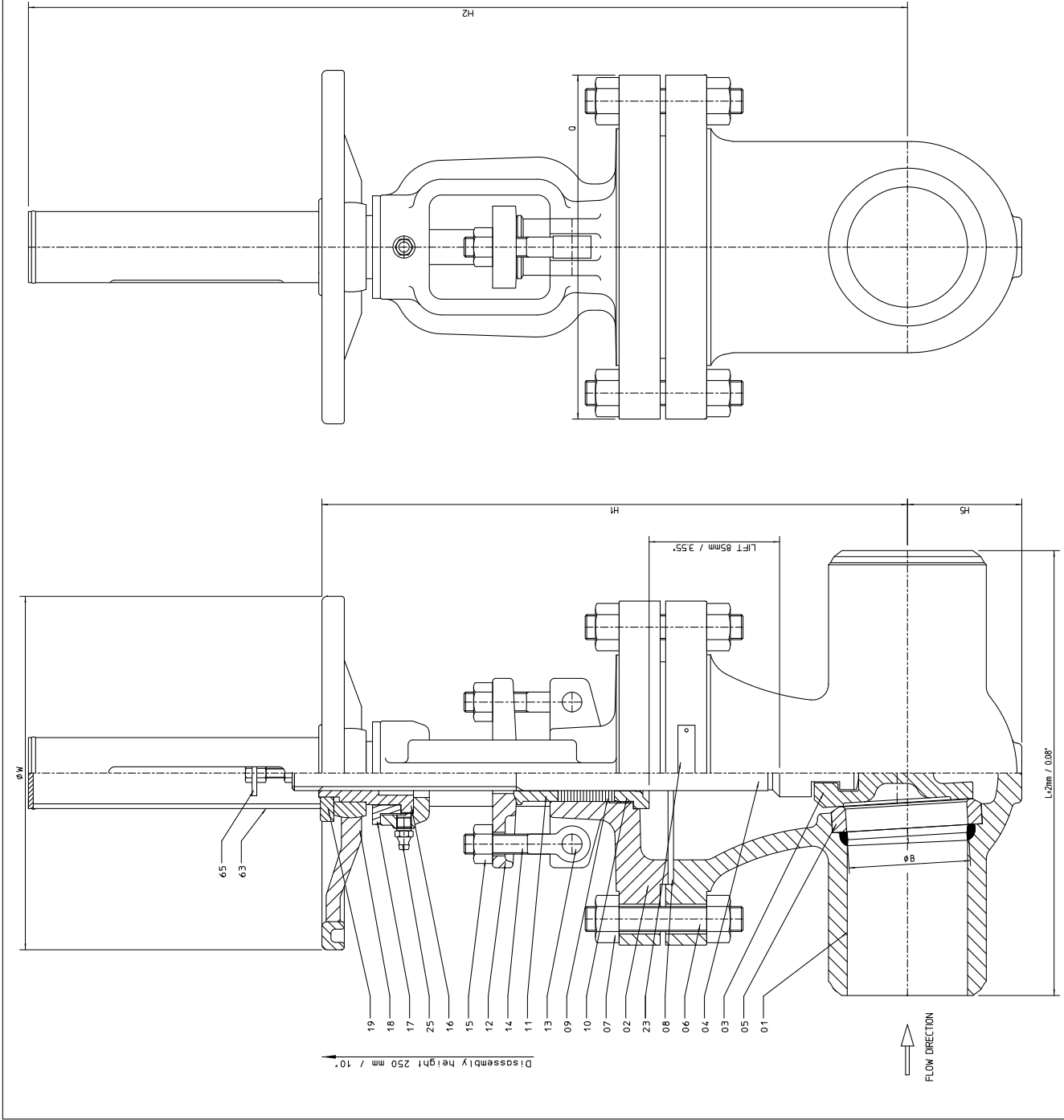
BW 3° SCHED. STD 40
 ACC. MITSUBISHI HITACHI DWG.: KUG-453-560

ITEM NR.	126
PRESSURE TESTING	ACC. ASME B16.34
VALVE DESIGN	ACC. ASME B16.34
END CONN.	BW SCHED. 40/STD ACC. MITSUBISHI HITACHI DWG.: KUG-453-560
FIG. NR.	H1 Valve
COATING SYSTEM	OPF30 + OT403 (DFT 50 μm)

REV.	DATE	DESIGN	CHK.	MODIFICATION
2	2018/11/01	AST	-	Pos. 99 added and inner diam. tolerance changed

APPROVAL

 T. KATO
 2018.11.01
 2018.11.01
 2018.11.01

HP VALVES REF.: 20180207	DRAWING NO.	S18-0207+126
CLIENT REF.: XTJB-UGF03-43-005	REV.	2
CLIENT: MITSUBISHI HITACHI Power Systems		
PROJECT REF.: Tanjung Jati B SAG - Combustion Section		



NOV. SIZE	B	H1	H2	H5	L	0	W	WEIGHT IN KG / LB	CV-VALUE
80 MM / 3"	77 / 3.03	371 / 14.6	357 / 14.0	73 / 2.9	282 / 11.1	218 / 8.6	224 / 8.82	38 / 1.84	710