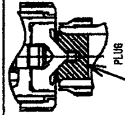
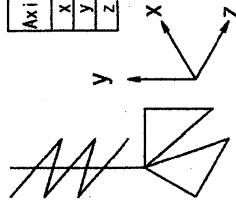


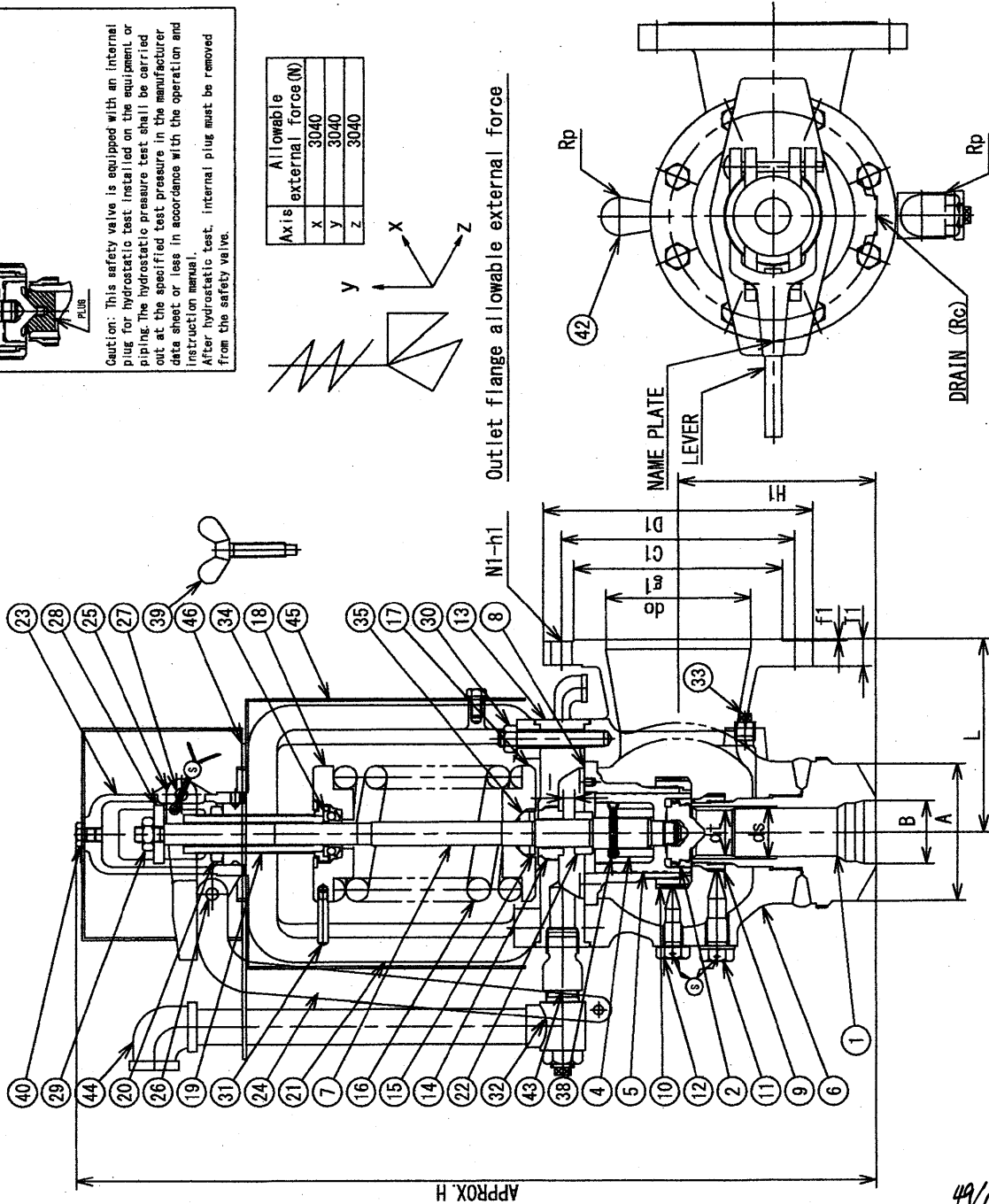
Caution: This safety valve is equipped with an internal plug for hydrostatic test installed on the equipment or piping. The hydrostatic pressure test shall be carried out at the specified test pressure in the manufacturer data sheet or less in accordance with the operation and instruction manual.
After hydrostatic test, internal plug must be removed from the safety valve.



Axis	Allowable external force (N)
X	3040
Y	3040
Z	3040



Outlet flange allowable external force



UNIT : mm

OUTLET DIA.	SEAT DIA.	THROAT DIA.	LIFT	INLET NECK	OUTLET FLANGE : ASME	150LB RF	DRAIN HOLE	VENT CENTER TO FACE	DRAIN HOLE SIZE	VENT CENTER TO FACE	DRAIN HOLE WEIGHT	Wt
do	ds	dt	l	A B	D1 T1 f1 g1 C1 N1 h1	Rc	Rp	L H1	Rp	L H1	H	1605 800kg
250	134	127.1	32	240 152	406 31 1.6 324 362 12 25	3/4	1.1/4	320 400	1.1/4	320 400	400	1605 800kg

NO.	ITEM	MATERIAL	REMARKS
46	SUPPORT	SS400	
45	WEATHER HOOD	SS400	
44	EXHAUST PIPE	1set STPG370, FOMB31-08	
43	ADAPTOR	1 FOMB31-08	
42	ELBOW	1 FOMB31-08	
41	PLUG	1 SS400	
40	TEST GAG	1 SS400	
39	PIN	1 SUS304	
38	STEP RING	1 SUS420J2	
37	THRUST BEARING	1 PURCHASE	
36	PLUG	1 SUS304	
35	ADJ. VALVE	1 SCS13	
34	SPRING LOCK BOLT	2 SS400	
33	STUD BOLT & NUT	8 SA193-87, SA194-2H	
32	LOCK NUT	1 S46C	
31	LIFTING WASHER	1 SS400	
30	FORK LEVER PIN	1 SS400	
29	EASING LEVER PIN	1 SS400	
28	FORK LEVER	1 FOMB31-08	
27	EASING LEVER	1 SS400	
26	GNP	1 FQ460-10	
25	LIFT STOPPER	1 SUS420J2	
24	YORE	1 SA218M-WCB	
23	ADJ. SCREW LOCK NUT	1 SUS304	
22	ADJUSTING SCREW	1 SUS403	
21	UPPER SPRING WASHER	1 SUS403	
20	LOWER SPRING WASHER	1 SUPT0	
19	SPRING	1 SUS630	
18	WASHER (STEP RING)	1 SUS630	
17	SPINDLE GUIDE	1 SA165M	
16	COOLING PIECE	1 SUS431	
15	UPPER LOCK BOLT	1 SUS431	
14	LOWER LOCK BOLT	1 SCS13A	
13	UPPER RING	1 SCS13A	
12	LOWER RING	1 SCS13	
11	GUIDE	1 SUS431	
10	SPINDLE	1 SA217M-WCB	
9	BODY	1 SUS420J2	
8	DISC HOLDER	1 SUS630	
7	DISC COLLAR	1 R637-M07750	
6	DISC	1 SA182M F12	
5	NOZZLE		
4			
3			
2			
1			

49/63

FUKUI SEISAKUSHO CO., LTD. *