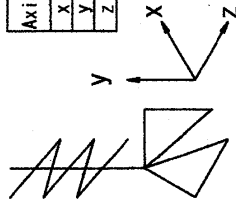
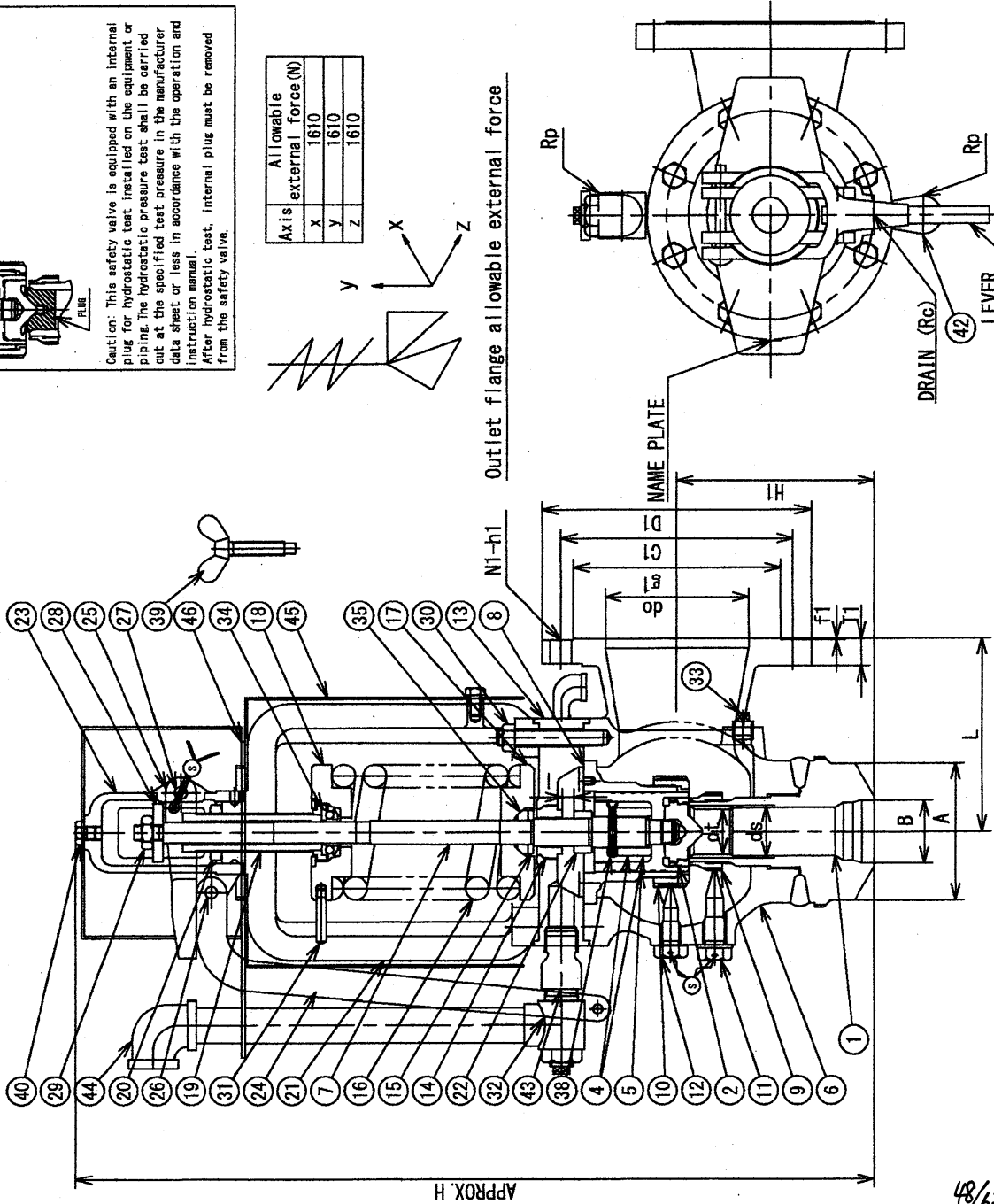


**Caution:** This safety valve is equipped with an internal plug for hydrostatic test. Installed on the equipment or piping, the hydrostatic pressure test shall be carried out at the specified test pressure in the manufacturer data sheet or less in accordance with the operation and instruction manual.  
After hydrostatic test, internal plug must be removed from the safety valve.

Axis	Allowable external force(N)
X	1610
Y	1610
Z	1610



Outlet flange allowable external force



NO.	ITEM	MATERIAL	REMARKS	APPROX. WEIGHT		CENTER TO FACE		OUTLET FLANGE : ASME		INLET NECK		LIFT	THROAT D.I.A.	SEAT D.I.A.	OUTLET D.I.A.	SIZE	
				Wt	H	L	H1	D1	T1	f1	g1						C1
46	SUPPORT	1 SS400															
45	WEATHER HOOD	1 SS400															
44	EXHAUST PIPE	1set STRP370, FCM831-08															
43	ADAPTOR	1 FCM831-08															
42	ELBOW	1 FCM831-08															
41																	
40	PLUG	1 SS400															
39	TEST GAG	1 SS400															
38	PIN	1 SUS304															
37																	
36	STEP RING	1 SUS420J2															
35	THRUST BEARING	1 PURCHASE															
34		1 SUS304															
33	PLUG	1															
32	ADJ. VALVE	1 SC513															
31	SPRING LOCK BOLT	2 SS400															
30	STUD BOLT & NUT	8 SA193-87, SA184-2H															
29	LOCK NUT	1 S45C															
28	LIFTING WASHER	1 SS400															
27	FORK LEVER PIN	1 SS400															
26	EASING LEVER PIN	1 SS400															
25	FORK LEVER	1 FCM831-08															
24	EASING LEVER	1 SS400															
23	CAP	1 FCQ450-10															
22	LIFT STOPPER	1 SUS420J2															
21	YONE	1 SA216H-WGB															
20	ADJ. SCREW LOCK NUT	1 SUS304															
19	ADJUSTING SCREW	1 SUS420J2															
18	UPPER SPRING WASHER	1 SUS403															
17	LOWER SPRING WASHER	1 SUS403															
16	SPRING	1 SUPT0															
15	WASHER (STEP RING)	1 SUS630															
14	SPINDLE GUIDE	1 SUS630															
13	COOLING PIECE	1 SA105W															
12	UPPER LOCK BOLT	1 SUS403															
11	LOWER LOCK BOLT	1 SUS403															
10	UPPER RING	1 SC513A															
9	LOWER RING	1 SC513A															
8	GUIDE	1 SC51															
7	SPINDLE	1 SUS403															
6	BODY	1 SA216H-WGB															
5	DISC HOLDER	1 SUS420J2															
4	DISC COLLAR	1 SUS630															
3																	
2	DISC	1 BR37-W07750															
1	NOZZLE	1 SA105H															
TYPE				SL433-M2 (T)		MATERIAL		SAFETY RELIEF VALVE		FORM NO.		SL433-M2-RP					
TAG NO.				50/60HCB03AA701/703		MATERIAL		SAFETY RELIEF VALVE		FORM NO.		SL433-M2-RP					
DWG. NO.				2018H 0208/0209/0241/0242-01-2		MATERIAL		SAFETY RELIEF VALVE		FORM NO.		SL433-M2-RP					
MFG. NO.				810208/810209/810241/810242		MATERIAL		SAFETY RELIEF VALVE		FORM NO.		SL433-M2-RP					
APPROX. WEIGHT				330		MATERIAL		SAFETY RELIEF VALVE		FORM NO.		SL433-M2-RP					
CENTER TO FACE				330		MATERIAL		SAFETY RELIEF VALVE		FORM NO.		SL433-M2-RP					
LIFT				20.9		MATERIAL		SAFETY RELIEF VALVE		FORM NO.		SL433-M2-RP					
THROAT D.I.A.				83.4		MATERIAL		SAFETY RELIEF VALVE		FORM NO.		SL433-M2-RP					
SEAT D.I.A.				96		MATERIAL		SAFETY RELIEF VALVE		FORM NO.		SL433-M2-RP					
OUTLET D.I.A.				200		MATERIAL		SAFETY RELIEF VALVE		FORM NO.		SL433-M2-RP					
SIZE				6*60*8		MATERIAL		SAFETY RELIEF VALVE		FORM NO.		SL433-M2-RP					
DO				200		MATERIAL		SAFETY RELIEF VALVE		FORM NO.		SL433-M2-RP					
DS				96		MATERIAL		SAFETY RELIEF VALVE		FORM NO.		SL433-M2-RP					
DT				83.4		MATERIAL		SAFETY RELIEF VALVE		FORM NO.		SL433-M2-RP					
LIFT				20.9		MATERIAL		SAFETY RELIEF VALVE		FORM NO.		SL433-M2-RP					
THROAT D.I.A.				83.4		MATERIAL		SAFETY RELIEF VALVE		FORM NO.		SL433-M2-RP					
SEAT D.I.A.				96		MATERIAL		SAFETY RELIEF VALVE		FORM NO.		SL433-M2-RP					
OUTLET D.I.A.				200		MATERIAL		SAFETY RELIEF VALVE		FORM NO.		SL433-M2-RP					
SIZE				6*60*8		MATERIAL		SAFETY RELIEF VALVE		FORM NO.		SL433-M2-RP					
DO				200		MATERIAL		SAFETY RELIEF VALVE		FORM NO.		SL433-M2-RP					
DS				96		MATERIAL		SAFETY RELIEF VALVE		FORM NO.		SL433-M2-RP					
DT				83.4		MATERIAL		SAFETY RELIEF VALVE		FORM NO.		SL433-M2-RP					
LIFT				20.9		MATERIAL		SAFETY RELIEF VALVE		FORM NO.		SL433-M2-RP					
THROAT D.I.A.				83.4		MATERIAL		SAFETY RELIEF VALVE		FORM NO.		SL433-M2-RP					
SEAT D.I.A.				96		MATERIAL		SAFETY RELIEF VALVE		FORM NO.		SL433-M2-RP					
OUTLET D.I.A.				200		MATERIAL		SAFETY RELIEF VALVE		FORM NO.		SL433-M2-RP					
SIZE				6*60*8		MATERIAL		SAFETY RELIEF VALVE		FORM NO.		SL433-M2-RP					