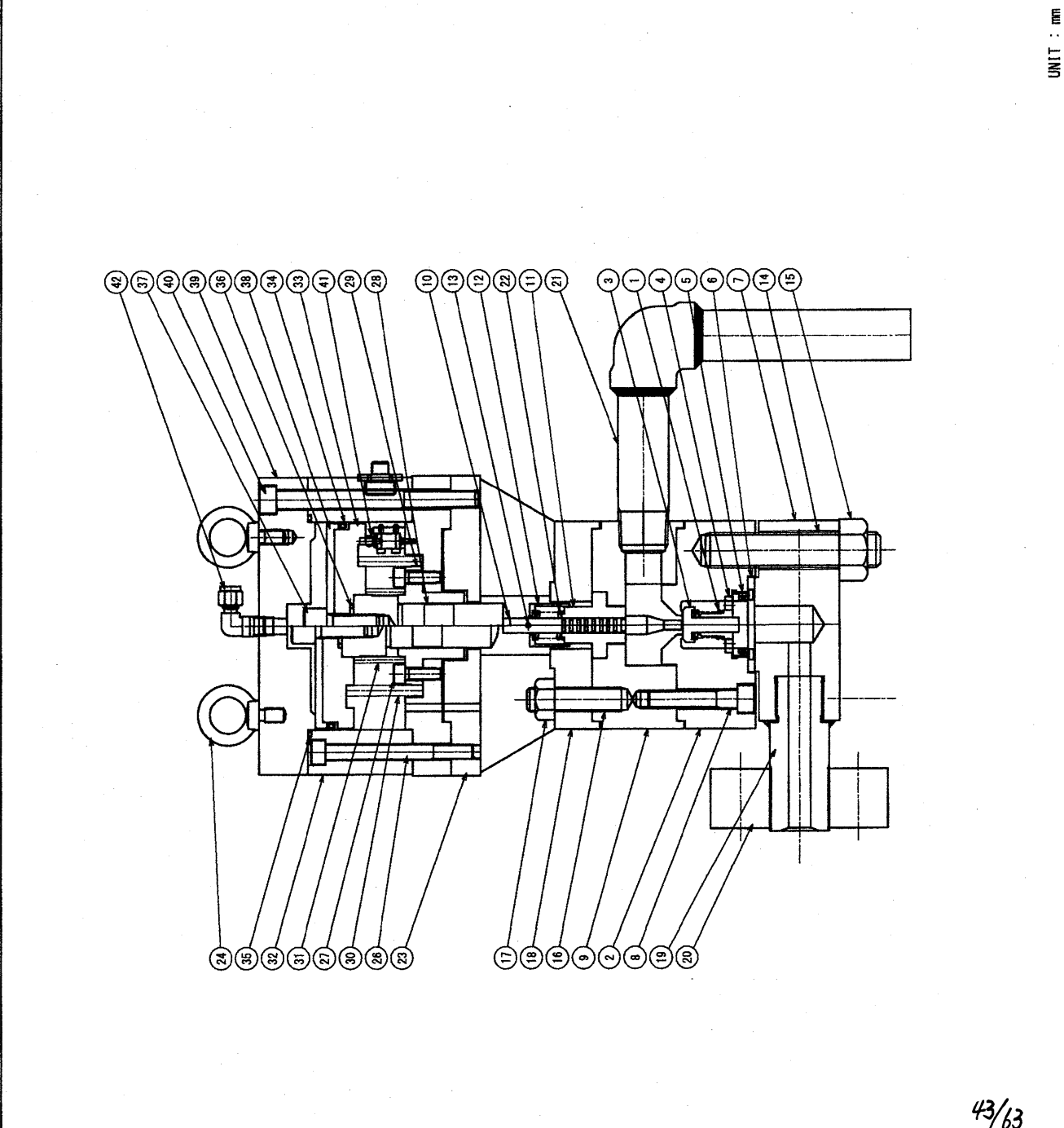


NO.	ITEM	MATERIAL	REMARKS
42	TUBE CONNECTORE	SUS316	
41	LIMIT SWITCH	PURCHASE	
40	HEX. SOCKET HEAD BOLT	SUS304	
39	CYLINDER COVER	SUS304	
38	SEAL COVER	SUS304	
37	HEX. SOCKET HEAD BOLT	SUS304	
36	O-RING	NBR	
35	O-RING	NBR	
34	PISTON SEAL	PTFE	
33	PISTON	SUS304	
32	CYLINDER	SUS304	
31	SPRING	SUS304	
30	SPRING GUIDE	SUS304	
29	PLUNGER	SUS620	
28	HEX. SOCKET HEAD BOLT	SUS304	
26	HEX. SOCKET HEAD BOLT	SUS304	
25			
24	EYE BOLT	SUS304	
23	CYLINDER BASE	SUS304	
22	SPRING	SUS304	
21	OUTLET PIPE	SUS304	Sched. 1B
20	CONNECTION FLANGE	SUS316	
19	CONNECTION PIPE	SUS316	
18	COOLING SPOOL	SA210H-N03	
17	NUT	SA194-4	
16	STUD BOLT	SA192-B16	
15	NUT	SA194-4	
14	STUD BOLT	SA192-B16	
13	PIN	SUS304	
12	SPRING COVER	SUS304	
11	SPINDLE GUIDE	BB65-N05500	
10	SPINDLE	B1SHLITE	
9	BODY	SA182M-F91	
8	HEX. SOCKET HEAD BOLT	SUS316	
7	FLANGE	SUS316	
6	GASKET	V8590L-SUS316	
5	GUIDE RETAINER	SUS420J2	
4	GUIDE	BB65-N05500	
3	DISC	B1SHLITE	
2	SEAT	SA182M-F91	HF
1	SPRING	INCOEL-718 EQ.	



UNIT : mm

AIR DRIVE PILOT VALVE
FUKUI SEISAKUSHO CO., LTD.

TYPE	POV1073-CA-(AR)
TAG NO.	50/60LBA01A703/705/707, 50/60LBA02A703/705/707
DWG. NO.	2018H 0192-0197, 0225-0230-01-2
MFG. NO.	810192-810197, 810225-810230