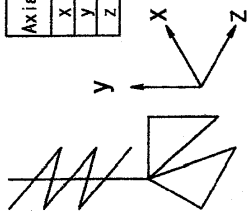
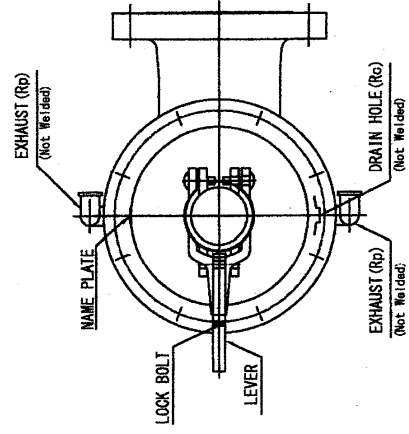


Axis	Allowable external force (N)
X	1610
Y	1610
Z	1610



Outlet flange allowable external force

APPROX. H



NO.	ITEM	MATERIAL	REMARKS
52	SUPPORT	2 SS400	
51	NUTS	12 SA194-2H	
49	WEATHER HOOD	1 SS400	
48	EYE BOLTS	2 SS400	
47	ADJ. BUSH	1 SUS403	
46	CONED DISC SPRING	2 SUS630	
45	HEX SOCKET SET SCREW	1 SUS304	
44	SPRING LOCK BOLT	1 SS400	
43	EXHAUST PIPE	2 Sets SUS304-TP, SUSF304	
42	TEST GAG	1 SS400	
41	GAG PLUG	1 SS400	
40	FLAT HEAD BOLTS	2 SUS304	
39	HEX SOCKET HEAD CAP SCREWS	1 SUS304-A2	
38	SLIT PIN	3 SUS304	
37	DRAIN PLUG	1 SUS304	
36	FORK LEVER PIN	1 SS400	
35	EASING LEVER PIN	1 SS400	
34	LOCK PLATE	1 SUS304	
33	FLOATING WASHER	1 B564-NO4400	
32	STUD BOLT & NUT	12 SA193-B7, SA194-2H	
31	STUD BOLT & NUT	8 SA193-B16, SA194-4	
30	FORK LEVER	1 FCMB31-08	
29	EASING LEVER	1 SS400	
28	GAP	1 FGD450-10	
27	LOCK NUT	1 SA5C	
26	LIFTING WASHER	1 SS400	
25	ADJ. SCREW LOCK NUT	1 SUS304	
24	ADJUSTING SCREW	1 SUS420J2	
23	THRUST BEARING	1 PURPHASE	
22	SPRING	1 SUP10	
21	UPPER SPRING WASHER	1 SUS403	
20	LOWER SPRING WASHER	1 SUS403	
19	STEP RING	1 SUS420J2	
18	BONNET	1 SA216M-WCB	
17	CENTER THROTTLE	1 SUS630	
16	SPINDLE GUIDE	1 B665-NO5500	
15	LIFT STOPPER	1 SUS420J2	
14	ORIFICE PIECE	1 SUS304	
13	COOLING SPOOL	1 CASE2192-9	
12	UPPER LOCK BOLT	1 SUS304	
11	LOWER LOCK BOLT	1 B637-NO7750	
10	UPPER RING	1 SUS304	
9	LOWER RING	1 SUS304	
8	GUIDE	1 SUS420J2	
7	SPINDLE	1 SILGOLLOY A2	
6	BODY	1 CASE2192-9	
5	DISC HOLDER	1 SUS420J2	
4	DISC COLLAR	1 B637-NO7750	
3	DISC CENTER	1 B637-NO7718	
2	DISC	1 B637-NO7718	
1	NOZZLE	1 SA182M-F91	HF

TYPE SL1073-CA-H1 (T)

TAG NO. 50/60LBA02AA702

DWG. NO. 2018H 0191/0224-01-2

MFG NO. 810191/810224

FUKUI SEISAKUSHO CO., LTD.

SIZE	SEV THROAT DIA. d _s	LIFT DIA. I	INLET NECK A B	OUTLET FLANGE (ASME) D1 T1 f1 g1 C1 M1 h1 Rc Rp	DRAIN THROAT DIA. DR	CENTER TO FACE TO FACE L	APPROX. HEIGHT H	WEIGHT Wt	REMARKS
34-A-8	57	50.6	12.7	185 82	381 42 1.6 270 330 12 25 3/4 1	250	305	1650 9000g	

40/63