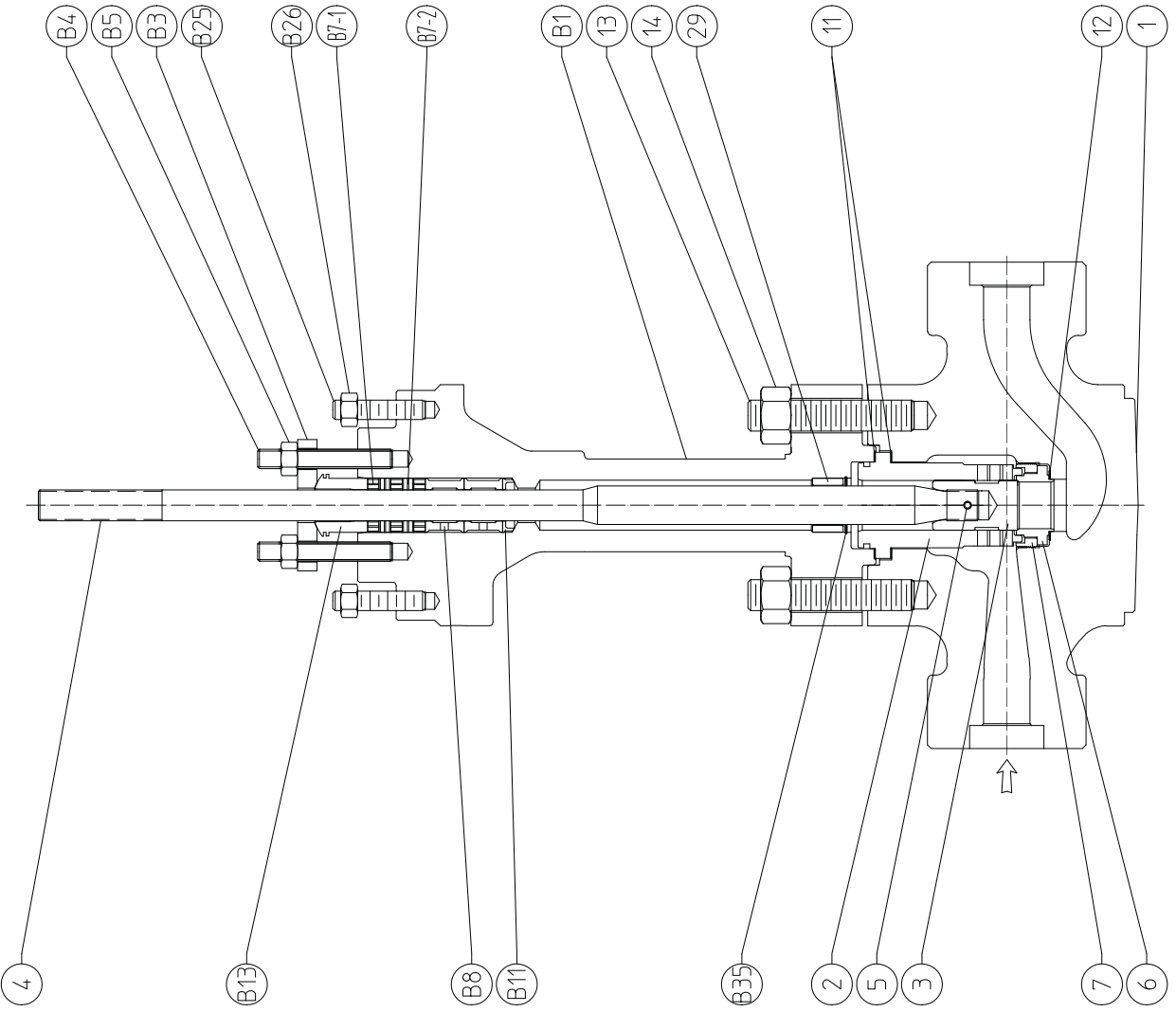


FEATURES PICTORIALLY TYPICAL ORIENTATION MAY DIFFER



KEY PART NAME	QTY	MATERIAL	COMMENT
1 BODY	1	ASTM A27M GR WC9	
2 GAGE	1	JIS G4311 SUH46/00N NITRIDE	
3 PLUG	1	316SST/COCR-A	
4 STEM	1	S66286 HT	
5 GROOVE PIN	1	ASTM A479M S31600	
6 SEAT RING	1	R30006	
7 SEAT RING RETAINER	1	ASTM B637 N07718/CRCT	
11 GAGE GASKET	2	S31600/GRAPHITE	
12 SEAT RING GASKET	1	S31600/GRAPHITE	
13 BONNET STUD	8	ASTM A193M B7	
14 BONNET NUT	8	ASTM A194M GR 7	
29 BONNET BUSHING	1	STEEL JIS G4103-SNCFM39	
B1 BONNET	1	ASTM A27M WC9	
B3 PACKING FLANGE	1	316 SST	
B4 PACKING STUD	2	ASTM A193M B8M CL2	
B5 PACKING NUT	2	S31600	
B7-1 PACKING RING	3	GRAPHITE	
B7-2 PACKING RING	2	GRAPHITE RIBBON/ZN	
B8 LANTERN RING	2	316 SST	
B11 PACKING BOX RING	1	316 SST	
B13 PACKING FOLLOWER	1	316 SST	
B25 YOKE STUD	8	ASTM A193M B7	
B26 YOKE NUT	8	ASTM A194 2H/ZN PL	
B35 BONNET RETAINING RING	1	ASTM A666 S30200	

		DATE	8/2/18
EHS VALVE BODY ASSEMBLY NPS 2 CL3273 SWE EXT 1 BONNET Linear 1 in Stem Graphite Single Packing FLOW DIRECTION : DOWN			
CUST: Mitsubishi Hitachi Power Systems, Ltd./Kure CUST REF NO.: XTJB513127328 FISHER REF NO.: 171873-01 TAG NO.: 50HAG13AA201 SERIAL NO.: J229023 CUST ITEM: 1		DWG. NO. 171873-01-001	
		REVISIONS 01 DH 8/2/18	
DWG. NO.	171873-01-001	DATE	8/2/18
REV.	01	ITEM	001
SCALE	NONE	DWG. NO.	171873-01-001
APVD.	TAK	DATE	6/20/18
CHKD.	DHI	DATE	6/20/18
ADSD.	ADS	DATE	6/20/18