

Doc.
No.

ES-(XTJB)5-28-00-0052

- CONTENTS -

-

1. Optical Pyrometer . . . Sheet 4

KKS No.	Description	Q'ty
50HBK01CT001	Optical pyrometer (Boiler Right)	1sets
50HBK01CT002	Optical pyrometer (Boiler left)	1sets

2. Optical Pyrometer Air Panel . . . Sheet 4

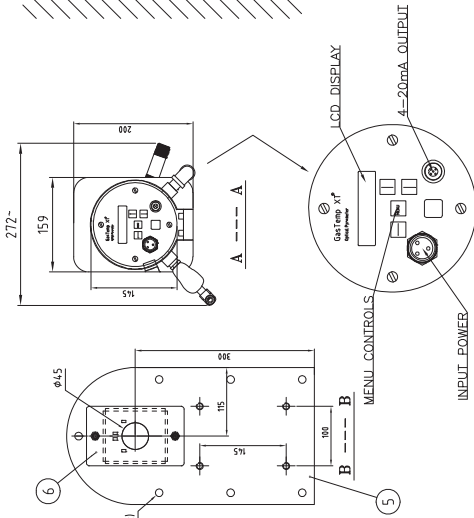
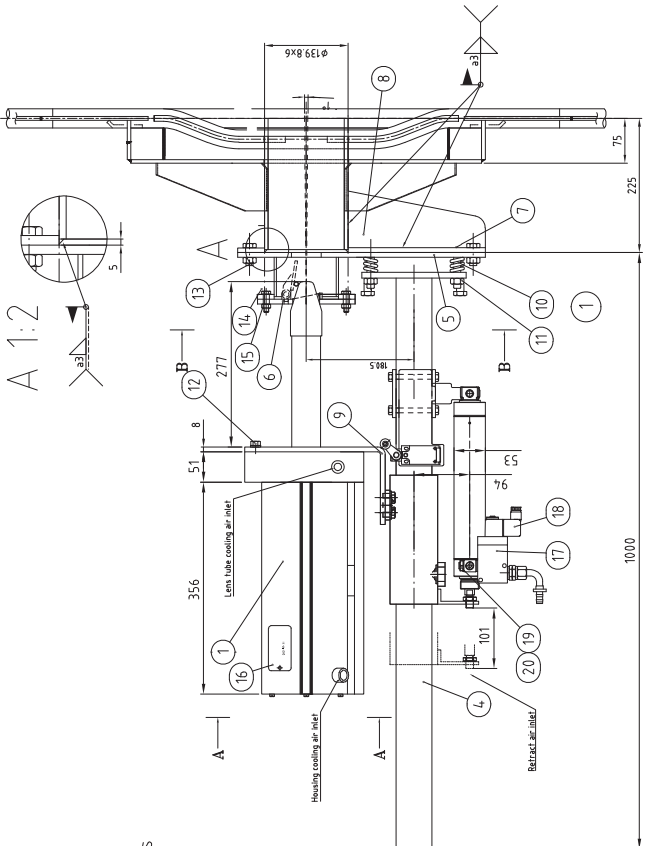
KKS No.	Description	Q'ty
50HBK01GH003	Optical pyrometer (Boiler Right)	1sets
50HBK01GH004	Optical pyrometer (Boiler left)	1sets

CONFIDENTIAL

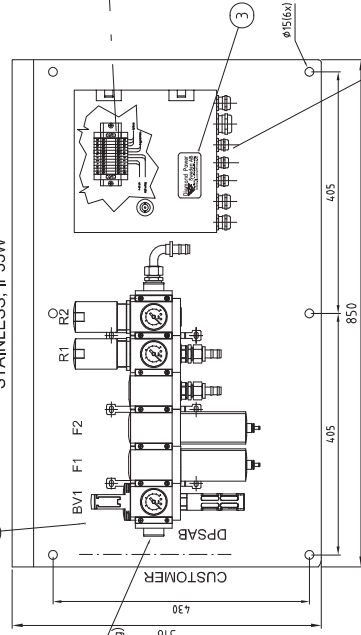
THIS DOCUMENT IS THE PROPERTY OF MITSUBISHI HEAVY INDUSTRIES, LTD. AND CONFIDENTIAL. IT MUST NEITHER BE COPIED NOR USED FOR ANY PURPOSE OR MANNER OTHER THAN EXPRESSLY PERMITTED BY MITSUBISHI HEAVY INDUSTRIES, LTD. OR WITH A PRIOR WRITTEN CONSENT OF MITSUBISHI HEAVY INDUSTRIES, LTD. NEITHER IS IT TO BE HANDED OVER NOR COMMUNICATED TO A THIRD PARTY IN ANY WAY. BREACH OR INFRINGEMENT OF ANY KIND WILL LEAD TO LEGAL ACTION.

FOV: Field of View

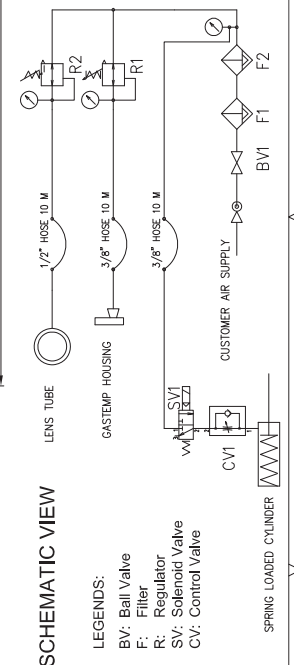
The gastemp measures furnace gas temperatures in a 1 deg cone.



AIR PANEL
STAINLESS, IP55W



SCHEMATIC VIEW



- LEGENDS:
 BV: Ball Valve
 F: Filter
 R: Regulator
 SV: Solenoid Valve
 CV: Control Valve

AS BUILT

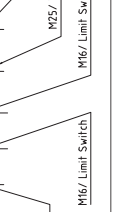
Qty: 2+2 pcs

Part No.	Description	Material	Remarks
21	1 Nipple	BSP 1/4" male	992602-712
20	1 Pressure flow control valve	BSP 1/4"	992602-488
18	1 Solenoid coil - cable plug	220V/230VAC 4.5W	992601-570
17	1 Solenoid valve	MOFH-3-1/4	992602-813
16	1 Name plate for Gas Temp	Stainless steel	992605-000
15	2 Nut M8		
14	2 Bolt M8x30		
13	7 Nut M12		
12	2 Screw UNS 3/8 UNC x 19		8 8
11	4 Locking nut M12		
10	4 Pressure spring	S35HCD	Øwg 1-180-0011
9	1 Gastemp XT bracket	S35HCD	Øwg 2-140-
8	1 Support plate	S35HCD	Øwg 2-140-
7	1 Plate with gravity hatch	S35HCD	Øwg 2-140-
6	1 Mounting plate	S35HCD	Øwg 1-140-
5	1 Retract unit	Øwg 1-180-0001	
3	1 Name plate for air control	Stainless steel	Øwg 4-140-
2	1 Air panel		992608-567
1	1 Gastemp XT		Øwg 1-180-
			75104.0000A

Parts included in Refract Unit 992608-5300

Parts included in Air panel 992608-5601

M20/ Optional
 M25/ To DCS
 M16/ Limit Switch



GASTEMP XT
 WITH AUTOMATIC RETRACT &
 AIR CONTROL PANEL
 Diamond Power
 Sweden AB

RETRACT UNIT
 WITH AUTOMATIC RETRACT &
 AIR CONTROL PANEL
 Diamond Power
 Sweden AB

GENERAL ARRANGEMENT
 1-140-0603

RETRACT UNIT
 WITH AUTOMATIC RETRACT &
 AIR CONTROL PANEL
 Diamond Power
 Sweden AB

RETRACT UNIT
 WITH AUTOMATIC RETRACT &
 AIR CONTROL PANEL
 Diamond Power
 Sweden AB

RETRACT UNIT
 WITH AUTOMATIC RETRACT &
 AIR CONTROL PANEL
 Diamond Power
 Sweden AB