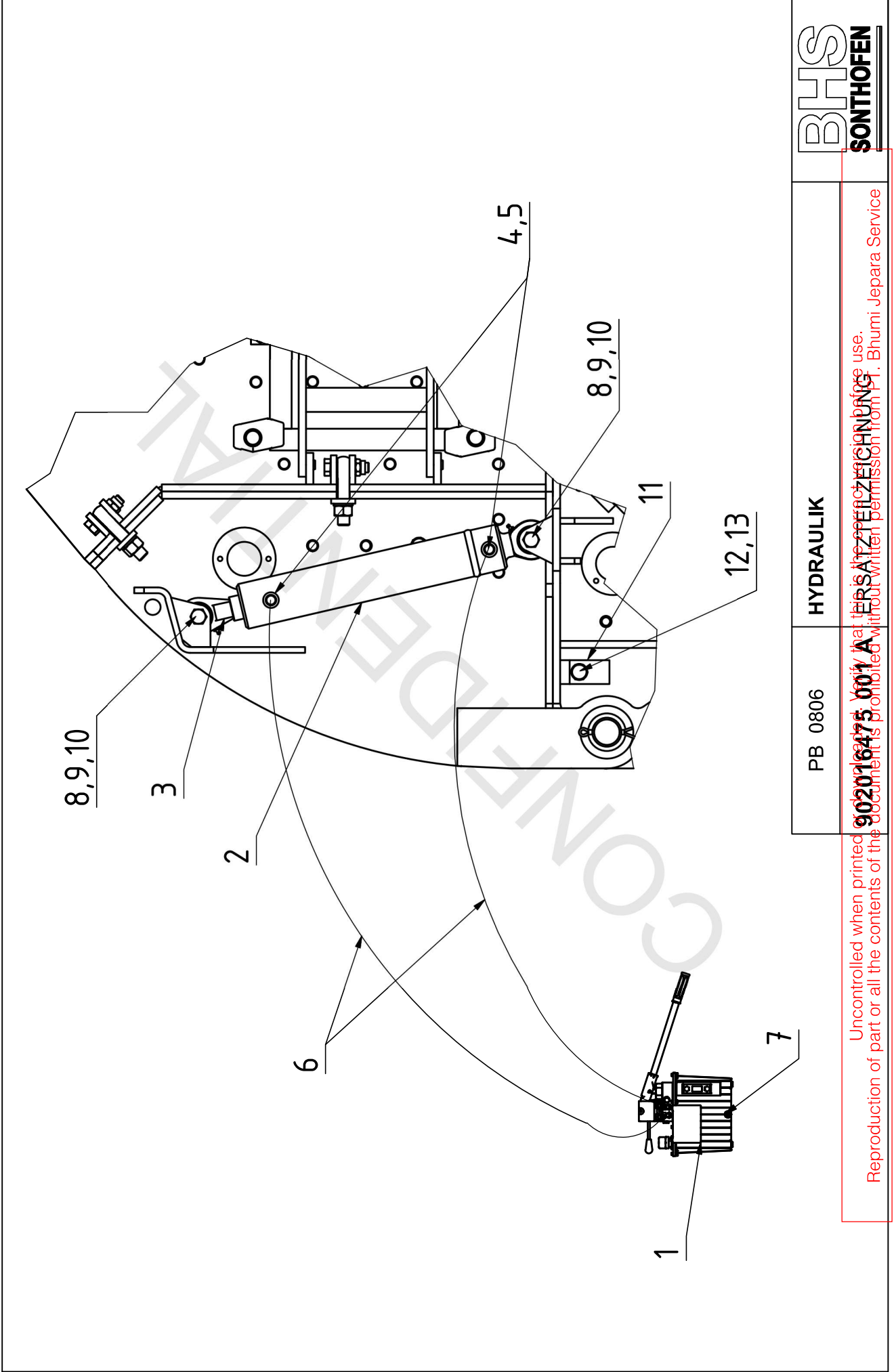




**BHS**  
SONTHOFEN

<b>Kopfmaterial</b>	<b>902016475</b>
<b>Beschreibung</b>	<b>HYDRAULICS</b>

Mark Pos.	Item Code Artikelnummer	Classification Klassifikation	Description Beschreibung	Quantity Menge	QU ME
0001	920006023		HYDRAULICS HYDRAULIK HANDPUMPE	1.000	ST
0002	920005964		HYDRAULIC CYLINDER HYDRAULIKZYLINDER	1.000	ST
0003	920006021		BALL AND SOCKET JOINT GELENKLAGER	1.000	ST
0004	507610600		SWIVELLING SCREW FITTING DROSSELF.R.SCHWENKVERSCHR.	2.000	ST
0005	910445900		reducing connection REDUZIERANSCHLUSS KONISCH	2.000	ST
0006	910720300		hose pipe SCHLAUCHLEITUNG 1SN-DN 6	2.000	ST
0007	509502800		HYDRAULIC OIL HYDRAULIKOEL VG46	12.000	L
0008	210006659		BUSH BUCHSE	2.000	ST
0009	503312800		DISK SCHEIBE	4.000	ST
0010	500311300		dowel screw PASSCHRAUBE	2.000	ST
0011	110659500		SPACER BLOCK DISTANZSTUECK	2.000	ST
0012	503362000		SPRING RING FEDERRING	2.000	ST
0013	500139000		HEXAGON BOLT 6KT-SCHRAUBE	2.000	ST



PB 0806	HYDRAULIK	<b>BHS</b> <b>SONTHOFEN</b>
---------	-----------	--------------------------------

Uncontrolled when printed or displayed. Verify that this is the correct version before use.  
902016475 001 A ERSATZTEILZUSAMMENSTELLUNG  
Reproduction of part or all the contents of the document is prohibited without written permission from P.T. Bhumi Jepara Service