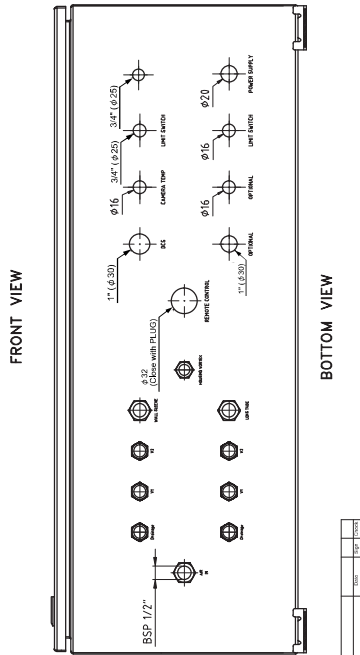
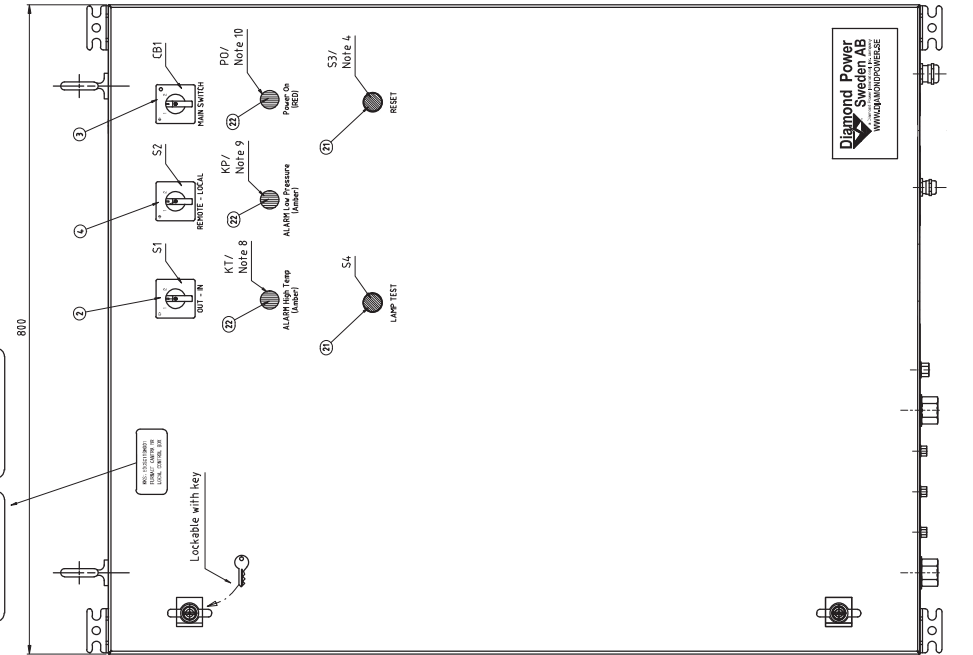
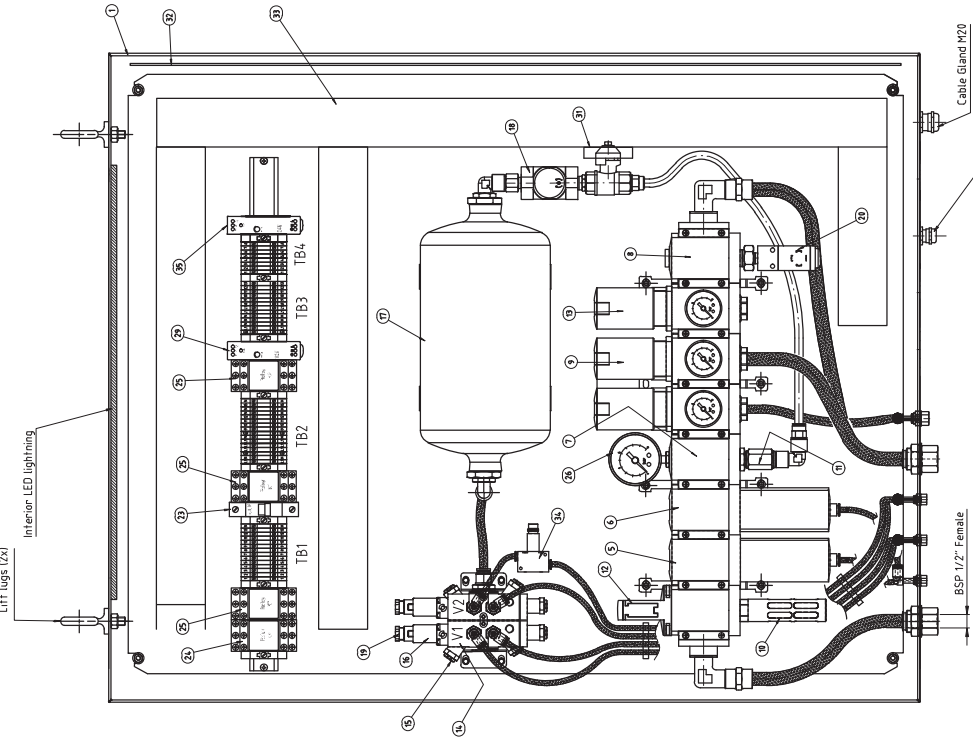
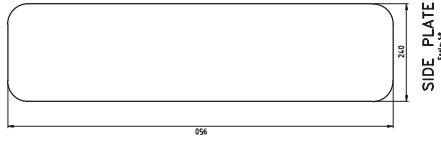


S. No.	Features	Requirements
1	Panel colour	Stainless
1	Degree of protection for field control cabinet	IP 55W



S. No.	Part Name	Specification	Quantity	Part No.
35	Power supply	Mean Well, 100-240VAC / 24VDC, 10A	992602-9392	
34	Regulator	60-L0	992602-7110	
33	Relay 12V	2 X 240 X 950	992602-8945	
32	Relay 12V	6 V 1/2"	992601-865	
31	Ball valve	95-250VAC / 1/2VDC, 1/4"	992601-549	
29	Power supply	Mean Well, 95-250VAC / 1/2VDC, 1/4"	992601-549	
26	Manometer	Comar RELECO E3-A30230A	992602-862	
25	Relay 220V	Finder	992602-862	
24	Relay 12V	Type 60, 24VDC	992602-862	
23	Auto Fuse	PLSM-L6, 6A	992602-867	
22	LED-indicator	Schneider Electric ZBVM4	992602-8195	
21	Push Button	Schneider Electric ZB4BA	992602-869	
20	Plug socket pressure switch	FESTO MSSD-C-4P	992602-871	
19	Plug Socket	FESTO MSSD-F	992602-871	
18	Slow start valve	FESTO HEL-3/8-D-MINI	992602-9393	
17	Air Reservoir	FESTO SRV25-5 (5L)	992602-872	
16	Steam coil	FESTO MSF Z20V	992602-874	
15	Exhaust air flow control valve	GRE 1/4"	992602-874	
14	Pressure regulator	GRE 1/4"	992602-874	
13	Pressure regulator	MS6-FM-1/2-S	992602-874	
12	On/OFF valve	MS6-FM-1/2-S	992602-874	
11	Non-return valve	MS6-FM-1/2-S	992602-874	
10	Sluencer	MS6-FM-1/2-S	992602-874	
9	Pressure Regulator	MS6-LRB-1/2	992602-711	
8	Branching module with pressure switch	MS-FRM-1/2-Y	992602-937	
7	Branching module	MS6-FRM-1/2	992602-937	
6	Air filter 5 micron	MS6-LF-1/2-CUV	992602-730	
5	Water separator	MS6-LWS-1/2-LV	992602-730	
4	Remote/local switch	Kraus & Naemper CHD A223	992602-865	
3	Main switch (ON/OFF)	Kraus & Naemper CHD A221	992602-865	
2	IN/OUT switch	Kraus & Naemper CHD A220	992602-864	
1	Field Control Cabinet	Rittal AE 1016000	992602-865-5	

This document may be copied with permission from the copyright holder. The copyright holder is Diamond Power Sweden AB. The copyright holder is not responsible for any errors or omissions in this document. The copyright holder is not responsible for any damage or loss of data caused by the use of this document. The copyright holder is not responsible for any loss of profit or business caused by the use of this document. The copyright holder is not responsible for any loss of income or revenue caused by the use of this document. The copyright holder is not responsible for any loss of reputation or credibility caused by the use of this document. The copyright holder is not responsible for any loss of market share or competitive advantage caused by the use of this document. The copyright holder is not responsible for any loss of customer loyalty or trust caused by the use of this document. The copyright holder is not responsible for any loss of market value or stock price caused by the use of this document. The copyright holder is not responsible for any loss of market capitalization or enterprise value caused by the use of this document. The copyright holder is not responsible for any loss of market position or market share caused by the use of this document. The copyright holder is not responsible for any loss of market power or market influence caused by the use of this document. The copyright holder is not responsible for any loss of market dominance or market leadership caused by the use of this document. The copyright holder is not responsible for any loss of market authority or market respect caused by the use of this document. The copyright holder is not responsible for any loss of market prestige or market status caused by the use of this document. The copyright holder is not responsible for any loss of market reputation or market image caused by the use of this document. The copyright holder is not responsible for any loss of market credibility or market trust caused by the use of this document. The copyright holder is not responsible for any loss of market confidence or market faith caused by the use of this document. The copyright holder is not responsible for any loss of market respect or market honor caused by the use of this document. The copyright holder is not responsible for any loss of market dignity or market pride caused by the use of this document. The copyright holder is not responsible for any loss of market honor or market glory caused by the use of this document. The copyright holder is not responsible for any loss of market fame or market reputation caused by the use of this document. The copyright holder is not responsible for any loss of market glory or market honor caused by the use of this document. The copyright holder is not responsible for any loss of market honor or market glory caused by the use of this document. The copyright holder is not responsible for any loss of market honor or market glory caused by the use of this document.