

SPEC. SHEET OF SAMPLING SYSTEM

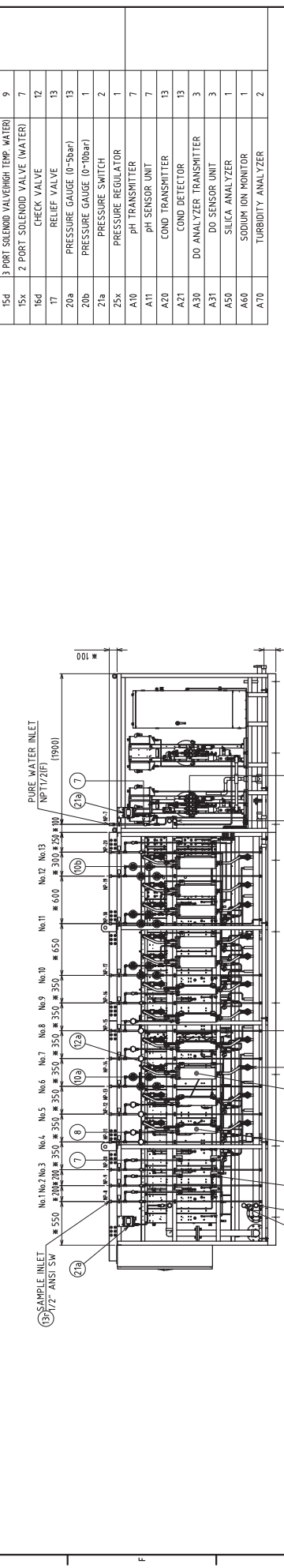
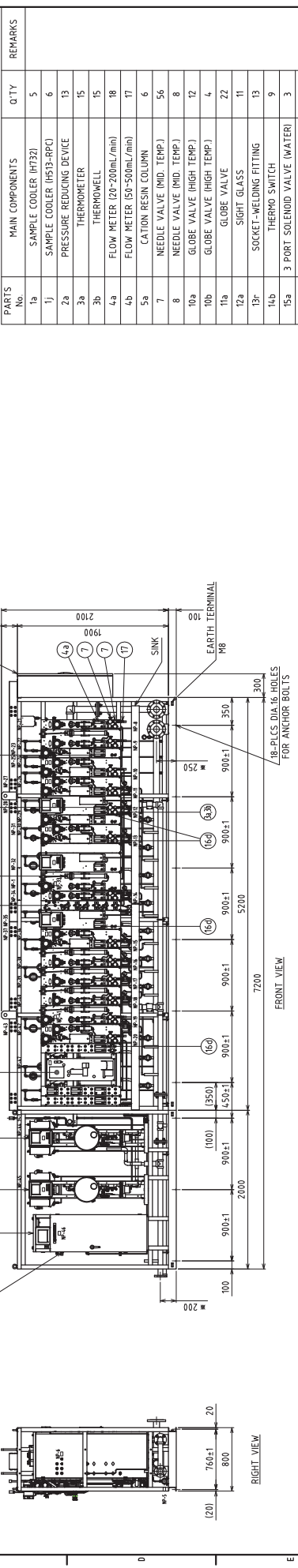
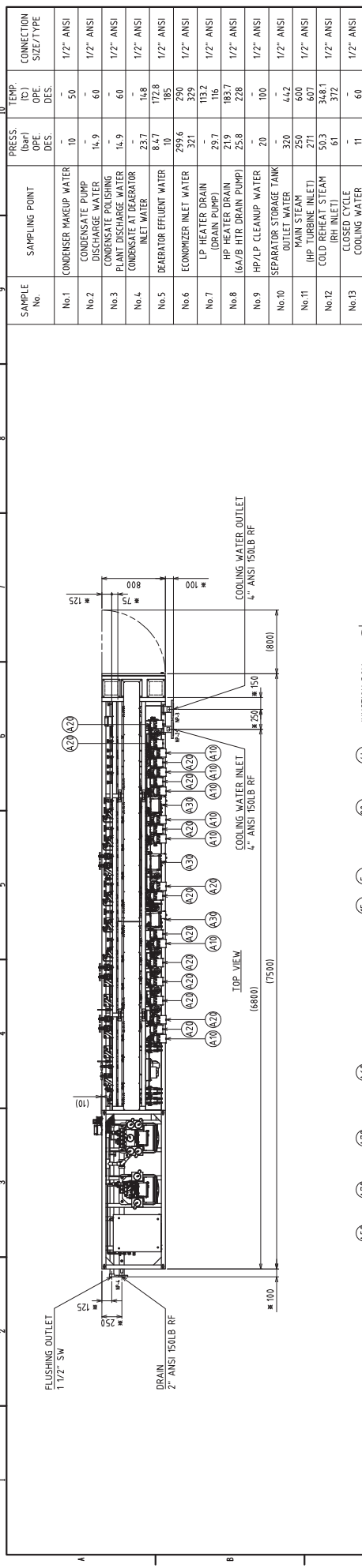
MODEL No.	BSC13-13M-11E-7P-13C-3D-1S-1Na-2TU (Unit 5& 6)		Q'TY
WEIGHT	APPROX. NET WT. 1800 kg OPERATION WT. 2020 kg		2
OUTLINE DIM.	PLEASE REFER TO OUTLINE & DIMENSIONS DRAWING OF SAMPLING SYSTEM		
CONSTRUCTION	FREE OPEN STRUCTURE OF STEEL WELDED CONSTRUCTION	SELF-STANDING	Sets
GRAB SAMPLING	POINT Q'TY 13 WITH SUS304 STAINLESS STEEL SINK		

* No.	MAIN COMPONENTS	MFR.	MODEL	WETTED MATERIAL	TYPE	※ Q'TY
1a	SAMPLE COOLER	DKK-TOA	H732	SHELL SUS304 COIL SUS316	SUBMERGED	5
1j	SAMPLE COOLER	DKK-TOA	H513-RPC	SHELL SUS304 COIL SUS316	SUBMERGED	6
2a	PRESS. REDUCING DEVICE	DKK-TOA	R141R	SUS304	WIRE-IN-TUBE	13
3a	THERMOMETER	DKK-TOA	CH-301	SUS304	BIMETAL	15
3b	THERMOWELL	DKK-TOA	TW301	SUS304	-	15
4a	FLOW METER	TOFRO	FM-PY20DK-11-A200-304	SUS304	AREA	18
4b	FLOW METER	TOFRO	FM-PY20DK-11-A500-304	SUS304	AREA	17
5a	CATION RESIN COLUMN	DKK-TOA	C402	PVC	COLUMN	6
7	NEEDLE STOP VALVES (MID.TEMP.)	IHARA	G-370153	SUS316	NEEDLE	56
8	NEEDLE STOP VALVE (MID.TEMP.)	IHARA	VN-4RF-S	SUS316	NEEDLE	8
10a	GLOBE VALVE (HIGH TEMP.)	IHARA	YZ45-02W-S	SUS316	GLOBE	12
10b	GLOBE VALVE (HIGH TEMP.)	IHARA	VZ25-02W02-OB	SUS316	GLOBE	4
11a	GLOBE VALVE	HITACHI VALVE	HM10KSG(Rc3/4)	FCMB-S35	GLOBE	22
12a	SIGHT GLASS	YOSHITAKE	SF-1S(Rc3/4)	FCD450	FLAPPER	11
13r	SOCKET-WELDING FITTING	IHARA	1/2" ANSI	SUS304	WELDING	13
14b	THERMOSWITCH	SENSBEY	TH-AB322	SUS304	-	9
15a	3WAY SOLENOID VALVE (FOR WATER)	SMC	VX3234N-02-1TZ-B-X82	SUS304	SOLENOID	3
15d	3 PORT SOLENOID VALVE (FOR HIGH TEMP. WATER)	SMC	VX3234Q-02-1TZ-B-X21	SUS304	SOLENOID	9
15x	2 PORT SOLENOID VALVE (FOR WATER)	CKD	GAB352-6-0-R3JS-AC100V	SUS	SOLENOID	7
16d	CHECK VALVE	IHARA	ZD-6MD-S-7KPa	SUS316	SPRING	12
17	RELIEF VALVE	SWAGELOK	SS-4CPA2-RT-50	SUS316	SPRING	13
20a	PRESSURE GAUGE	NAGANO	GK33-173(0-5bar)	SUS316	BOURDON	13
20b	PRESSURE GAUGE	NAGANO	GK33-173(0-10bar)	SUS316	BOURDON	1
21a	PRESSURE SWITCH	NAGANO	CQ30-133	SUS304	-	2
25x	PRESSURE REGULATOR	HEMMI	RD2210A	SUS316	-	1

LOCATION	INDOOR NON HAZARDOUS AREA AMBIENT TEMP. ROOM TEMP.~40°C
----------	---

ACCESSORIES	CATION RESIN 6 PCS, CHEMICAL ANCHOR BOLTS(CARBON STEEL) 1Set
-------------	--

B No.	B8011-XIT -S
-------	--------------



SAMPLE No.	SAMPLING POINT	PRESS. (kgf/cm ²)	TEMP. (°C)	CONNECTION SIZE/TYPE
No.1	CONDENSER MAKEUP WATER	10	50	1/2" ANSI
No.2	CONDENSATE PUMP DISCHARGE WATER	14.9	60	1/2" ANSI
No.3	CONDENSATE POLISHING PLANT DISCHARGE WATER	14.9	60	1/2" ANSI
No.4	CONDENSATE AT DEAERATOR INLET WATER	23.7	14.8	1/2" ANSI
No.5	DEAERATOR EFFLUENT WATER	8.47	172.8	1/2" ANSI
No.6	ECONOMIZER INLET WATER	299.6	290	1/2" ANSI
No.7	LP HEATER DRAIN (HP TURBINE DRAIN)	25.7	113.2	1/2" ANSI
No.8	HP/HP HTR DRAIN PUMP	25.8	183	1/2" ANSI
No.9	HP/LP CLEANUP WATER	20	100	1/2" ANSI
No.10	SEPARATOR STORAGE TANK OUTLET WATER	320	442	1/2" ANSI
No.11	MAIN STEAM (HP TURBINE INLET)	250	600	1/2" ANSI
No.12	COLD REHEAT STEAM (RH INLET)	50.3	348.1	1/2" ANSI
No.13	CLOSED CYCLE COOLING WATER	11	60	1/2" ANSI

PARTS No.	MAIN COMPONENTS	Q.TY	REMARKS
1a	SAMPLE COOLER (HT32)	5	
1j	SAMPLE COOLER (HS13-RPC)	6	
2a	PRESSURE REDUCING DEVICE	13	
3a	THERMOMETER	15	
3b	THERMOWELL	15	
4a	FLOW METER (20~200mL/min)	18	
4b	FLOW METER (50~500mL/min)	17	
5a	CATION RESIN COLUMN	6	
7	NEEDLE VALVE (MID. TEMP.)	56	
8	NEEDLE VALVE (MID. TEMP.)	8	
10a	GLOBE VALVE (HIGH TEMP.)	12	
10b	GLOBE VALVE (HIGH TEMP.)	4	
11a	GLOBE VALVE	22	
12a	SIGHT GLASS	11	
13c	SOCKET-WELDING FITTING	13	
14b	THERMO SWITCH	9	
15a	3 PORT SOLENOID VALVE (WATER)	3	
15d	3 PORT SOLENOID VALVE(HIGH TEMP. WATER)	9	
15x	2 PORT SOLENOID VALVE (WATER)	7	
16d	CHECK VALVE	12	
17	RELIEF VALVE	13	
20a	PRESSURE GAUGE (0~5bar)	13	
20b	PRESSURE GAUGE (0~10bar)	1	
21a	PRESSURE SWITCH	2	
25x	PRESSURE REGULATOR	1	
A10	pH TRANSMITTER	7	
A11	pH SENSOR UNIT	7	
A20	COND TRANSMITTER	13	
A21	COND DETECTOR	13	
A30	DO ANALYZER TRANSMITTER	3	
A31	DO SENSOR UNIT	3	
A50	SILICA ANALYZER	1	
A60	SODIUM ION MONITOR	1	
A70	TURBIDITY ANALYZER	2	

TANKING (ATI) B. EXPANSION (AWA-4)
 COAL FIRED STEAM POWER PLANT
 2x1,000MW UNIT #5/6

OUTLINE & DIMENSIONS DRAWING OF SAMPLING SYSTEM (UNIT 6)

REV. NO. 4
 DATE 11/11/05
 DRAWN BY KIMISHIRO
 CHECKED BY KIMISHIRO
 DESIGNED BY KIMISHIRO
 PROJECT NO. BSC11-758342-5A

NOTES: 1. UNIT: mm
 2. GENERAL TOLERANCE IS IN ACCORDANCE WITH CLASS "Y" JIS B 0405 UNLESS OTHERWISE SPECIFIED.
 3. TOLERANCE OF DISTANCE MARKED WITH "±" IS ±0.1mm.