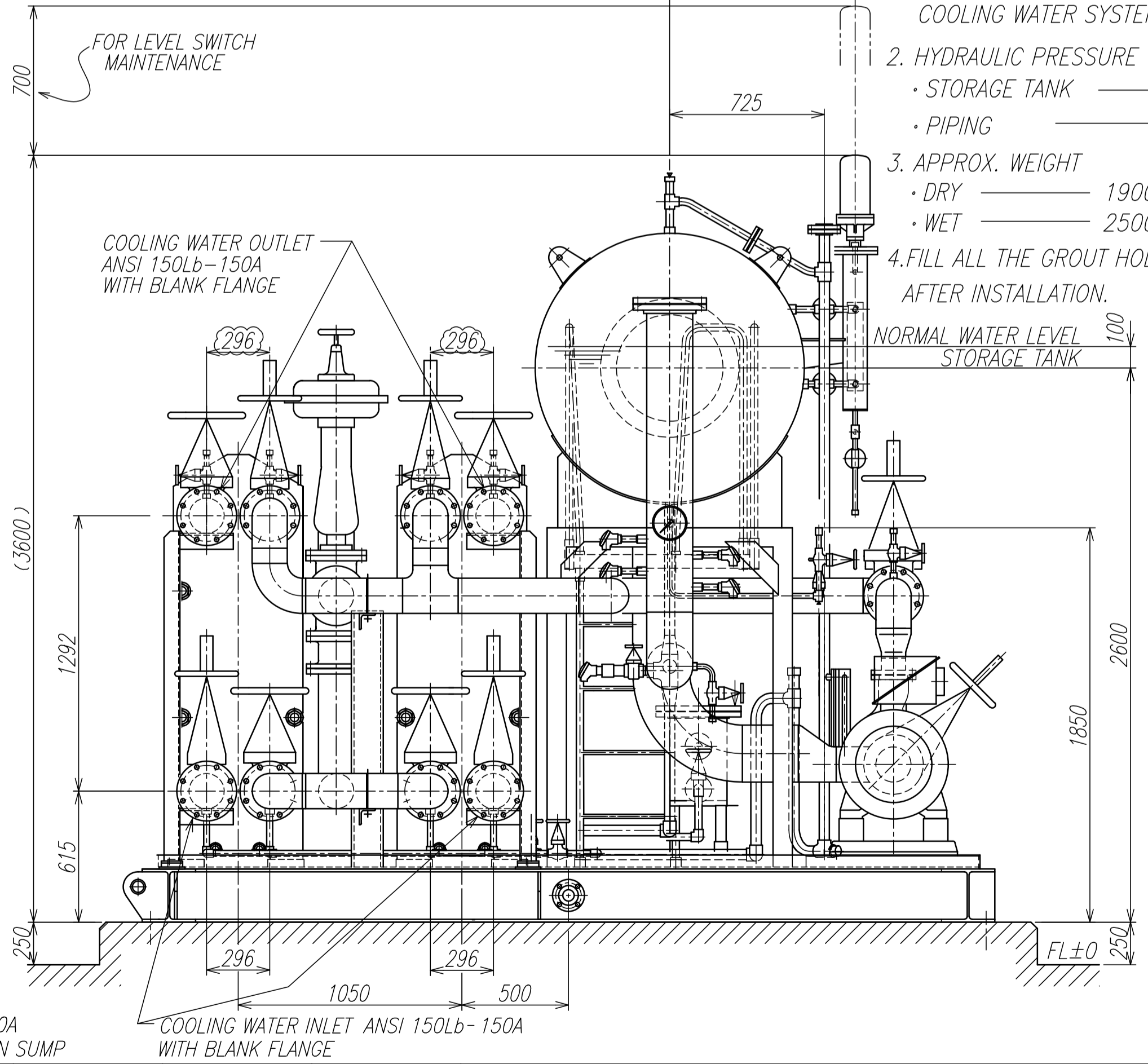
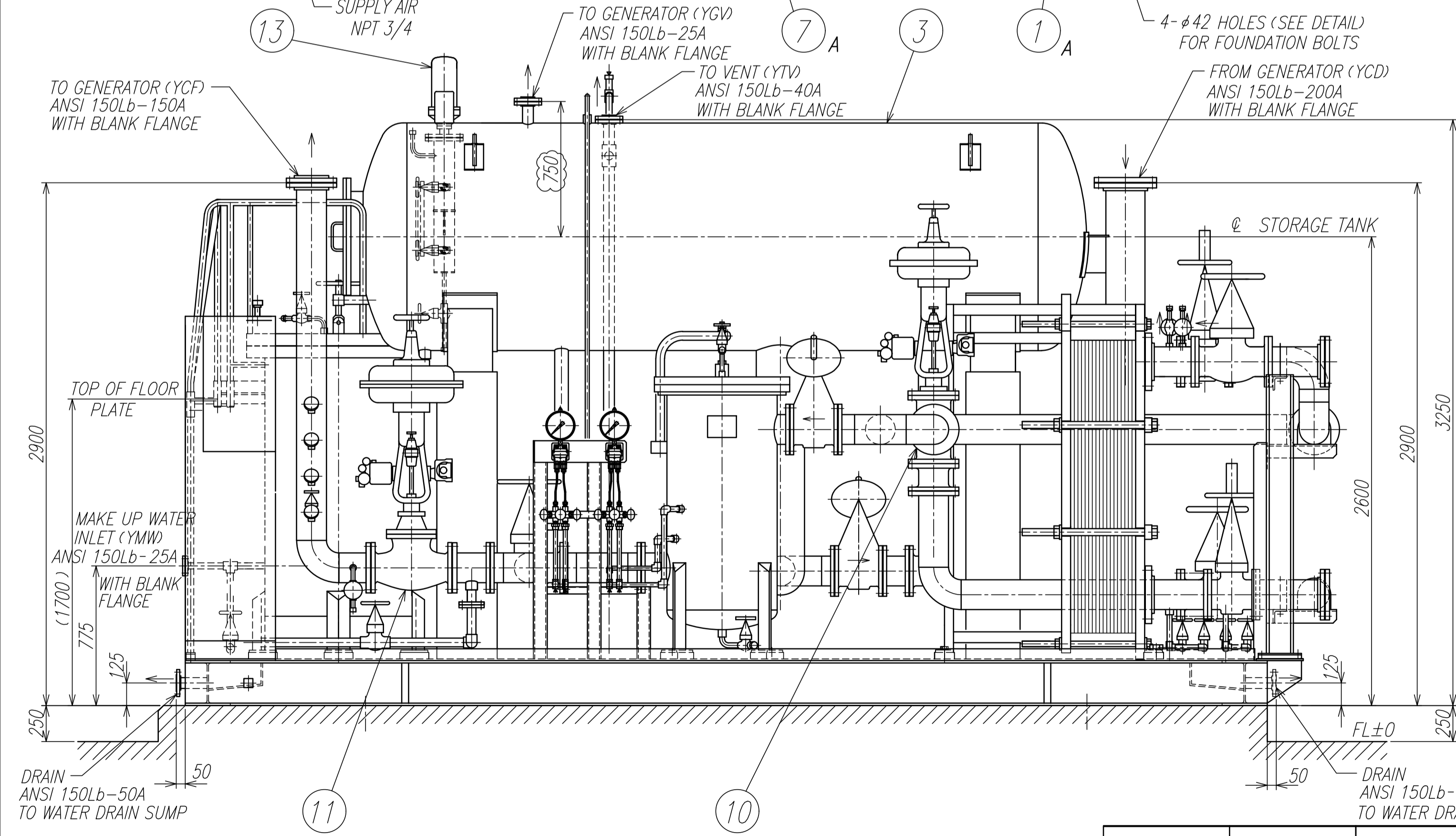


P.No.	PARTS NAME	Q'TY	REMARKS
1	STATOR COOLING WATER COOLER (A)	1	HEAT EXCHANGED : 3920kW
2	STATOR COOLING WATER COOLER (B)	1	HEAT EXCHANGED : 3920kW
3	STORAGE TANK	1	CAPACITY: 4.5m ³ MATERIAL: SUS304 THICKNESS: 8.0mm
4	STATOR COOLING WATER PUMP (A)	1	2800 1/min-8.0bar-2940min ⁻¹ -75kW
5	STATOR COOLING WATER PUMP (B)	1	2800 1/min-8.0bar-2940min ⁻¹ -75kW
6	DEIONIZER	1	TC-75-49 IRN-150 230 1/min SIZE 40A
7	STATOR COOLING WATER FILTER (A)	1	38DSL3-S 2500 1/min SIZE 150A
8	STATOR COOLING WATER FILTER (B)	1	38DSL3-S 2500 1/min SIZE 150A
9	MAKE-UP WATER FILTER	1	6D1-S 150 1/min SIZE 25A
10	TEMPERATURE CONTROL VALVE	1	SIZE 100A
11	PRESSURE CONTROL VALVE	1	SIZE 150A
12	DEIONIZER FLOW METER	1	SIZE 40A
13	STORAGE TANK LEVEL SWITCH	1	SET TO GIVE ALARM WHEN LEVEL RISES OR FALLS 100 mm
14	AUXILIARY CONTROL PANEL	1 SET	

DETAIL OF EARTHING TERMINAL



- NOTES
- REFERENCE DRAWINGS
 FLOW DIAGRAM OF STATOR COOLING WATER SYSTEM — TJB56-L1-OFF-C-MKF-M-PID-4400 (1K0004616)
 - HYDRAULIC PRESSURE TEST
 STORAGE TANK — 152 kPa — 30 min
 PIPING — 1500 kPa — 30 min
 - APPROX. WEIGHT
 DRY — 19000 kg
 WET — 25000 kg
 - FILL ALL THE GROUT HOLE WITH GROUT TILL THE TOP SURFACE AFTER INSTALLATION.



ISSUED FOR AS-BUILT

REV.	DATE	DESCRIPTION	BY	CHKD	APPD
3	4.FEB.22	ISSUED FOR AS-BUILT	M.S.	M.F.	M.F.
2	09.DEC.19	AS BUILT	K.N.	S.N.	S.N.
1	28.MAR.19	REVISED BY DESIGN PROGRESS	K.N.	S.N.	S.N.
0	29.OCT.18	ISSUED FOR CONSTRUCTION	K.N.	S.N.	S.N.

OWNER: PT.Bhumi Jati Power
 PROJECT TITLE: TANJUNG JATI B EXPANSION (JAWA-4) COAL FIRED STEAM POWER PLANT 2 x 1000 MW
 OWNER'S ENGINEER: POYRY
 EPC CONTRACTORS: Sumitomo Corporation, PT. Wasa Mitra Engineering, AvantiPower Japan Ltd.
 PROJECT DRAWING NO. TJB56-L1-OFF-C-MKF-E-DRD-4344
 TITLE: OUTLINE DRAWING FOR GENERATOR STATOR COOLING WATER UNIT
 SCALE: 1:20
 SHEET NO. 1 OF 1

REV.	DATE	DESCRIPTION	BY	CHKD	APPD
3	4.FEB.22	ISSUED FOR AS-BUILT	M.S.	M.F.	M.F.
2	09.DEC.19	AS BUILT	K.N.	S.N.	S.N.
1	28.MAR.19	REVISED BY DESIGN PROGRESS	K.N.	S.N.	S.N.
0	29.OCT.18	ISSUED FOR CONSTRUCTION	K.N.	S.N.	S.N.

APPROVED BY: K. Segawa
 REVIEWED BY: S. Nakayama
 PREPARED BY: O. Abe
 TOSHIBA 東芝エネルギーシステムズ株式会社
 TOSHIBA ENERGY SYSTEMS & SOLUTIONS CORPORATION
 図面番号 DRAWING NO. 1K0004636
 発行年・変更記号・指示ガイダンス 発行年・変更記号・指示ガイダンス 2022